

# HOLMES®



## DTU™



Some Optional Equipment May Be Shown.

- 20,000 lbs. Planetary Winch
- 35,000 lbs. Underlift Capacity
- Front Stands for Easy Storage
- Low Profile Crossbar
- Optional Spacious Tool Boxes



TM



[Zips.com](http://Zips.com) | 800-222-6047

# DETACHABLE TOWING UNIT

## SPECIFICATIONS

Lift Capacity	
Retracted . . . . .	35,000 lbs.
Extended . . . . .	16,000 lbs.
Reach Past Tailboard	
Fully Extended . . . . .	113 inches
Fully Retracted . . . . .	51 inches
Power Tilt Arc . . . . .	20°
Shipping Weight . . . . .	6,200 lbs.

## STANDARD FEATURES & EQUIPMENT

- Low Profile Fabricated Cross Bar
- Front Stands
- 20,000 lbs. Planetary Winch
  - 175' x 9/16" IWRC Wire Rope
  - (Winch Options Include: Air Tensioners, Air Free Spool, 360° Sheave Head)
- Fork Storage Holders
- Safety Chains
- Hook End Caps
- Air & Electrical Lines
- Passenger Side Controls
- 5 Sets of Frame Forks

## OPTIONAL EQUIPMENT

- DP 25,000 lbs Planetary Winch
  - 200' x 5/8" IWRC Wire Rope
- Wet Line Kit
  - PTO with pressure relief valve, pump,
  - 15-Gallon Hydraulic Tank, Return Filter, Quick Disconnect, Fittings & Hoses
- Hand-Held Remote Control
  - 6-Function Controller with 25' Cord
- Wireless Remote Control
- Emergency Lighting
- Work Area Lighting
- 13,000 lbs. Tire Lift
- 5 or 9 Switch Panel
- Tow Bar Lights (Wired or Wireless)
- Tool Compartment
- Additional Front Lock Down Kit
  - (for setting up second tractor)
- Additional Lift Forks & Towing Attachments
- Recovery Sheave Kit (Requires Pintle)



Note: Some optional equipment may be shown. Other Holmes Towing & Recovery Equipment is Available from your local Holmes Distributor.



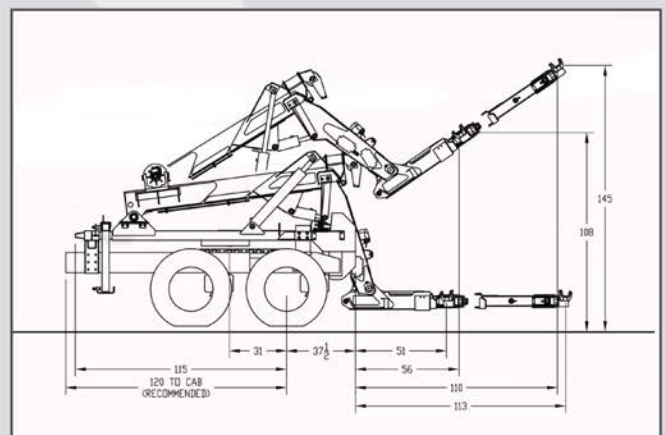
## CHASSIS RECOMMENDATIONS

Minimum Wheelbase . . . . . 250"

Min. Clearance from front of DTU to Center of Trunnion . . . . . 84"

Note: Ratings are based on structural factors only - not chassis capacity. All chassis specifications are minimums, heavier specifications may be required depending on chassis and equipment weights. Holmes reserves the right, without notice and without obligation, to improve or modify products, which may change the specifications, models and feature availability.

## Proven Design & Technology



Some optional equipment shown.



Zips.com | 800-222-6047