

NRC Model 9320LS



(See diagram below)

STANDARD EQUIPMENT

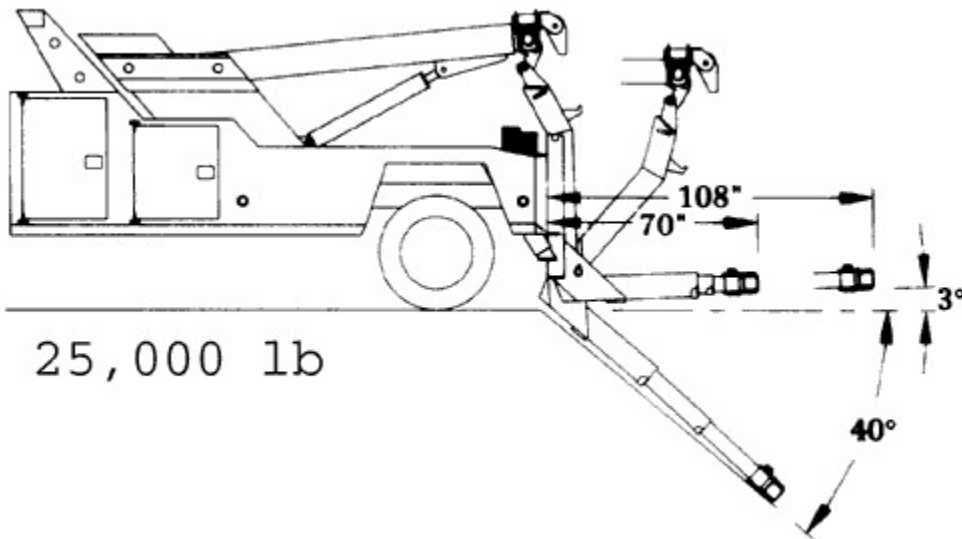
- 20 Ton hydraulic wrecker
- 58" Sliding boom
- Locks on sliding system
- Dual 20,000lbs variable speed worm gear hydraulic winches
- 9/16" x 200' steel cable on each drum
- Air clutch release on winches
- Cable tensioners
- Direct mounted tandem hydraulic pump
- Single 5" bore x 36 3/8" cylinder for power boom elevation
- Lock & safety valve on elevation cylinder
- Two stage power boom extension
- Directional boom sheave
- Nylon slide on boom
- Dual independent hydraulic rear stiff legs
- Removable spades for stiff legs
- Lubrication fittings on all moving parts
- Dual controls on top of the deck
- Heavy duty body 96" wide
- Two toolboxes (15 Cubic Ft.)
- 110" C.A. (from cab to center of rearmost axle)
- Hi-tensile steel used for structural parts
- Sandblast + Epoxy primer paint
- Undercoating underneath the body
- Monocoque body
- Rear mounted recovery anchors
- Safety chains (2 - 3/8" x 15' grade 7)
- Door checks & hold backs
- Federal standard #108 light group
- Air plug (truck must have trailer air system)
- Electric plug
- Mud flaps



OPTIONAL EQUIPMENT

- Tandem body for 52" or 54" spread (14" longer, 124" C.A.)
- Reinforcement plate under the cab
- Reinforcement plate under the cab & bunk
- "L" shape mounting plate 5/16
- "L" shape mounting plate T1 steel 5/16
- Super medium duty axle-lift + 4 sets of brackets + tie down chains
- Heavy duty axle-lift + 4 sets of forks + tie down chains
- Tunnel toolbox 24" or 28" or 32" or 36" or 40" or 44" or 48" single door
- Tunnel toolbox 48" or 52" or 56" or 60" or 64" or 68" or 72" double door
- Pressure gauges
- Battery box inside the tunnel toolbox
- Work lights in toolboxes
- Light pylon
- Aluminum cover inside the light pylon
- Winch covers
- Aluminum checker plate on top of tunnel toolbox
- Aluminum checker plate on rear steps
- 2 Work lights under the bumper
- Stainless package
- Stainless on boom
- Stainless on mast
- Stainless on light pylon
- Stainless on bottom of body
- Stainless on winch covers
- Stainless on top of body's sides
- One-color paint (acrylic enamel)
- One-color paint (IMRON)
- Installation (includes PTO)

AXLE LIFTS



DIMENSIONS

