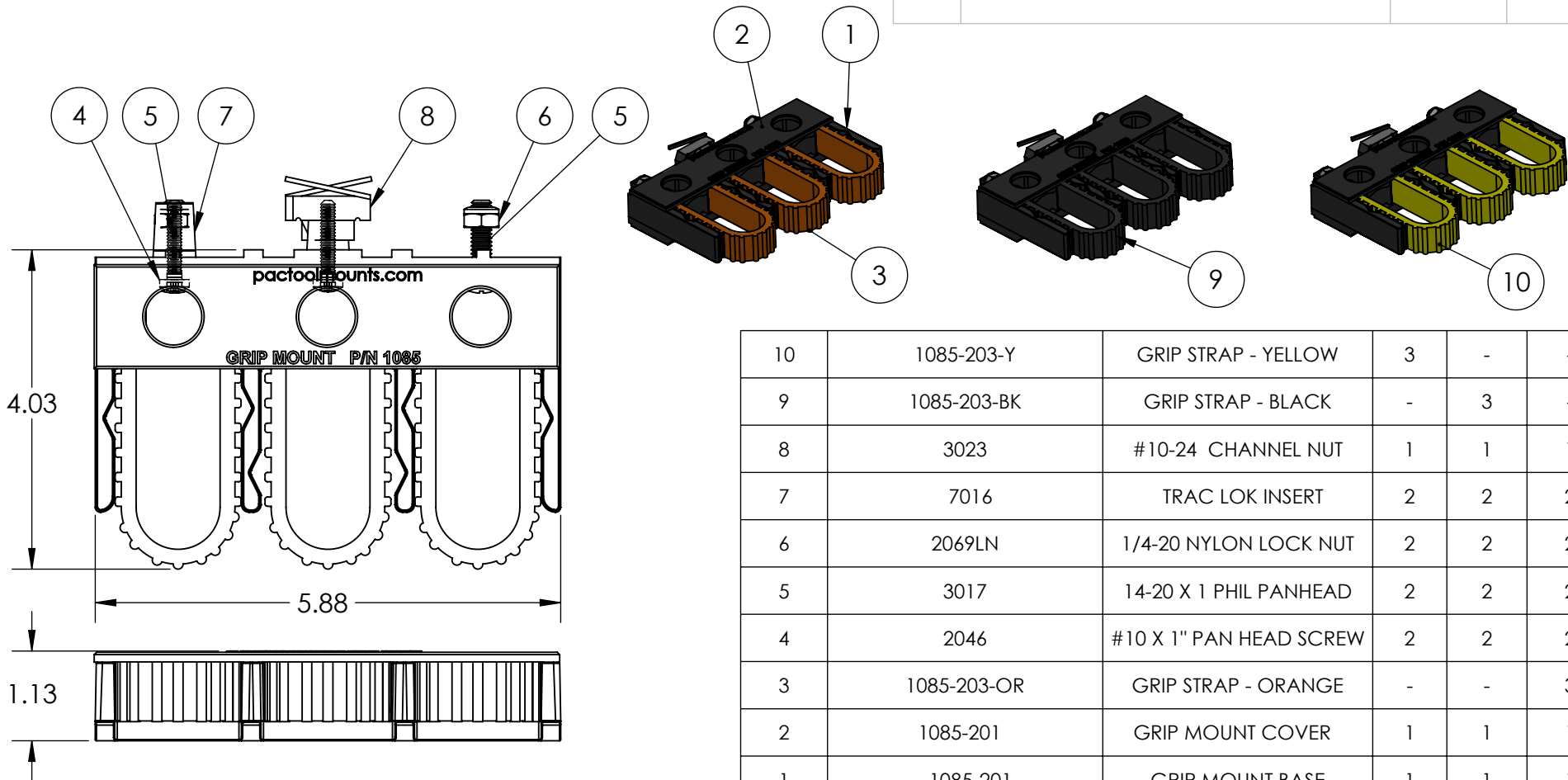


REV	DESCRIPTION	DATE	APPR



10	1085-203-Y	GRIP STRAP - YELLOW	3	-	-
9	1085-203-BK	GRIP STRAP - BLACK	-	3	-
8	3023	#10-24 CHANNEL NUT	1	1	1
7	7016	TRAC LOK INSERT	2	2	2
6	2069LN	1/4-20 NYLON LOCK NUT	2	2	2
5	3017	14-20 X 1 PHIL PANHEAD	2	2	2
4	2046	#10 X 1" PAN HEAD SCREW	2	2	2
3	1085-203-OR	GRIP STRAP - ORANGE	-	-	3
2	1085-201	GRIP MOUNT COVER	1	1	1
1	1085-201	GRIP MOUNT BASE	1	1	1
ITEM NO.	PAC P/N	PART NAME	1085-Y	1085-BK	1085-OR

NOTES:

VERSIONS:

- 1085 Y (YELLOW GRIP)
- 1085 BK (BLACK GRIP)
- 1085 OR (ORANGE GRIP)

**PERFORMANCE
ADVANTAGE
COMPANY**



TOLERANCES UNLESS OTHERWISE SPECIFIED

.X = ±.03
.XX = ±.010
.XXX = ±.005
.XXXX = ±0.0005
ANGLES ±0.5°
FRACTIONAL ±1/64

THIRD ANGLE PROJECTION



COLOR

	NAME	DATE
DRAWN BY		
APPR. BY		
MFG BY		
MFG. P/N		
ENG APPR.		
MATERIAL		
ALT. MATERIAL		
FINISH		

THE INFORMATION CONTAINED IN THIS DRAWING IS THE SOLE PROPERTY OF PERFORMANCE ADVANTAGE CO. ANY REPRODUCTION IN PART OR AS A WHOLE WITHOUT THE WRITTEN PERMISSION OF PERFORMANCE ADVANTAGE CO. IS PROHIBITED.

TITLE:

GRIP MOUNT

PART NUMBER

1085

REV

SCALE: 1:2

SHEET 1 OF 1