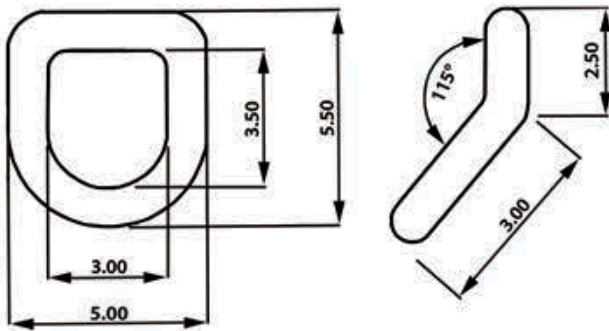




**Brand New  
From B/A!**

# CURVED FORGED D-RINGS

- PRODUCT DIMENSIONS -



OTHER SIZES & STYLES ALSO AVAILABLE



Weld On D-Rings

PART #	SIZE	UNIT	WLL
38-DR58	5/8"	EA	6,130 lbs.
38-DR34	3/4"	EA	9,120 lbs.
38-DR2	1"	EA	15,580 lbs.

**1" Forged Curved Steel D-Ring  
(with Mounting Bracket)**

Part# 38-DR355

WLL: 15,580 lbs.

This D-Ring is formed at a 55° angle extending out from the mounting surface.

1/2" Bolt on D-Ring



PART #	DESCRIPTION	UNIT	WLL
38-DR1	Plated	EA	4,080 lb.
38-DR1SC	Self Colored	EA	4,080 lb.



**IN STOCK & READY TO SHIP**



Zips.com | 800-222-6047