

Installation Instructions

.....

Utility Body Ladder Racks

1501250 – 13.5 ft

1501260 – 14.5 ft



AT LEAST TWO PEOPLE ARE NECESSARY TO INSTALL THIS RACK

1. Verify Rack Will Fit Your Truck Body – Fig. 1

- A. DETERMINE WHERE THE RACK WILL BE MOUNTED. Depending on your truck, the rack may be mounted on top of the boxes, on front and rear panels, or another location
- B. Position the mounting angles on the truck in the position it will be mounted
- C. Measure the distance between the Mounting Feet and record it as distance X.



CAUTION

CHECK TO ENSURE THAT THE MOUNTING LOCATIONS CHOSEN ARE CLEAR OF ALL TAIL LIGHTS, WIRING, AND BOX HANDLE HARDWARE

2. Preassemble Rack (Figs. 2-6)

- A. Install the Rear Legs onto the Rear Side Rails using M12x55 HHCS, flat washers and lock nuts.
- B. Install the Driver Side and Passenger Side Rear Crossbar Mounting Brackets using (2)M10 x 25 HHCS with lock washers to attach to the Rear Rails and (2)M10 x 25 Carriage Bolts with locknuts to attach the grab handle
- C. Assemble the Rear Crossbar to the Rear Rails using the Latch Pins
- D. Slide the Front Crossbar onto the Front Rails
- E. Join the Front and Rear halves by sliding the Rear Side Rails into the Front Side Rails
- F. Install the Side Connector Plates using (6)M16 x 35 Carriage Bolts with washers and locknuts
- G. Assemble the four Legs to the Side Rails using M12 x 55 HHCS with washers & locknuts
- H. Lift and rotate the legs inward so the Rack can stand by itself. Attach the Legs to the Front Crossbar and Rear Mounting Brackets using the M16 x 85 HHCS with (2) flat washers, and lock nuts
- I. Insert the Feet into the Legs and attach using (8)M12 x 75 HHCS with washers and locknuts (**FINGER TIGHTEN ONLY AT THIS TIME**)
- J. If the distance between the Front and Rear Legs (when adjusted to shortest point/position) is longer than the measured distance X the Front Side Rails will need to be cut
- K. If it is necessary to shorten the rack, cut the Front Rails by the determined amount now. If cutting is necessary, you should paint the cut edges to prevent rust.

—continued inside

- L. Set the preassembled rack onto the truck to verify fit
- M. After fit is verified, use predrilled holes in the Feet to mark the places where mounting holes will need to be drilled.
- N. Remove rack and drill all necessary holes (For 1/2" diameter hardware)

3. Final Installation – Fig. 4 and 6

NOTE: Silicone is provided to seal all joints and prevent water from entering toolboxes and/or the rack

- A. Separate the Front and Rear halves of the rack, apply silicone around the entire swaged surfaces of the Rear Rails, and reconnect the halves.
- B. Install the Connector Plates and (4)M16 x 35 Carriage Bolts with washers and locknuts.
- C. Install the Front Hoop
 - a. Apply silicone to the swaged surfaces of the Front Rails then slide the Front Hoop into position.
 - b. Use (2)M10 x 70 Carriage Bolts with washers & locknuts to secure.
- D. Install the Center Crossmember using (2)M12 x 75 HHCS with washers and locknuts
- E. Position the Rack on the truck and attach using the Angles and (8)M12 x 45 HHCS with washers and locknuts

NOTE: The bottom of the feet have drain holes so if any gasket tape is used between the bottom of the Feet and the body of the truck the installer should ensure that these drain holes remain uncovered

4. ALIGNING, MAINTENANCE, & WARNING

- A. **Aligning** – Stand in front of the vehicle. Note the alignment of the cab hoop in relation to the roof of the truck cab. Have an assistant adjust the rack to the left or right until the front hoop is centered over the truck cab. The hardware that connects the mounting foot to the leg can now be tightened. Recheck alignment and adjust if necessary. All hardware can now be fully tightened, starting with the gusset points at the top of each leg.
- B. **Maintenance** – Your Buyers ladder rack has a powder coat finish and can be kept clean by using a soft sponge or cloth with mild soap and water.

 **WARNING**

LADDER RACK IS RATED AT 1,000 LBS. DO NOT EXCEED THIS LIMIT FOR ANY REASON AND NEVER EXCEED THE GROSS VEHICLE WEIGHT RATING(GVWR) OR GROSS AXLE WEIGHT RATING(GAWR) AS SET BY THE VEHICLE MANUFACTURER.

 **WARNING**

ALL PAYLOADS MUST BE SECURELY FASTENED FOR TRANSPORTATION

 **WARNING**

DO NOT CUT REAR SIDE RAILS FOR ANY REASON.

 **WARNING**

NEVER USE THE LADDER RACK WITH THE REAR CROSS BAR REMOVED. THIS WILL AFFECT THE STRUCTURAL INTEGRITY OF THE RACK.

 **WARNING**

USE CAUTION CARRYING A PAYLOAD ON THE LADDER RACK. ALWAYS LOAD THE LADDER RACK AS LOW AND EVEN AS POSSIBLE. ANY PAYLOAD CARRIED ABOVE THE FLOOR OF THE TRUCK'S BED WILL INCREASE THE TENDENCY OF THE VEHICLE TO ROLLOVER.

 **CAUTION**

DOUBLE CHECK THAT THE HOLES ARE CLEAR OF ALL TAIL LIGHTS, WIRING, BOX HANDLE HARDWARE AND THERE IS ROOM TO MOUNT THE ANGLES

Fig. 1



Fig. 2 - REAR RAIL, CROSSBAR AND FEET

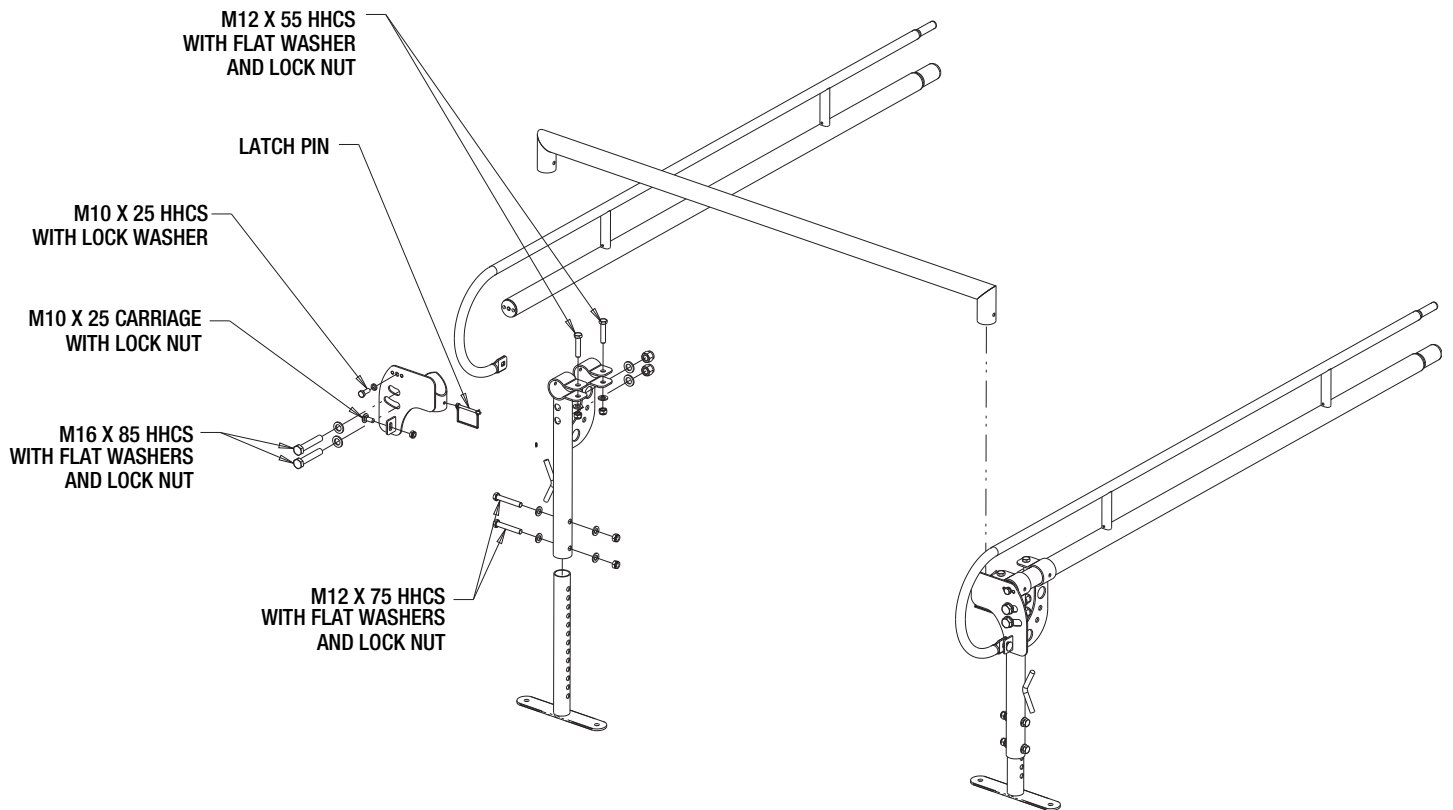


Fig. 3 - FRONT RAIL, CROSSBAR AND FEET

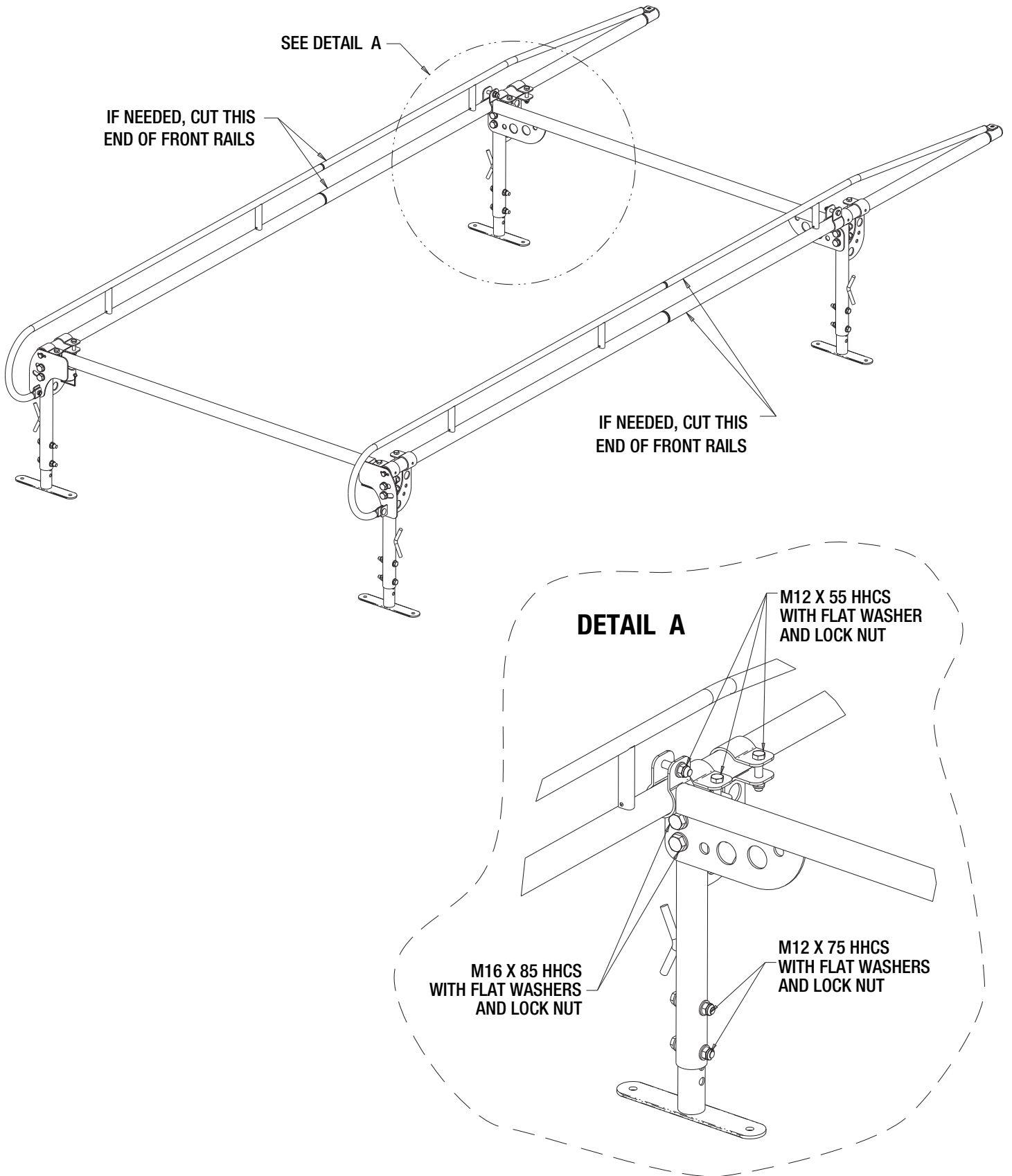


Fig. 4 - FRONT HOOP, SIDE CONNECTORS, MIDDLE CROSSBAR AND ANGLE MOUNTS

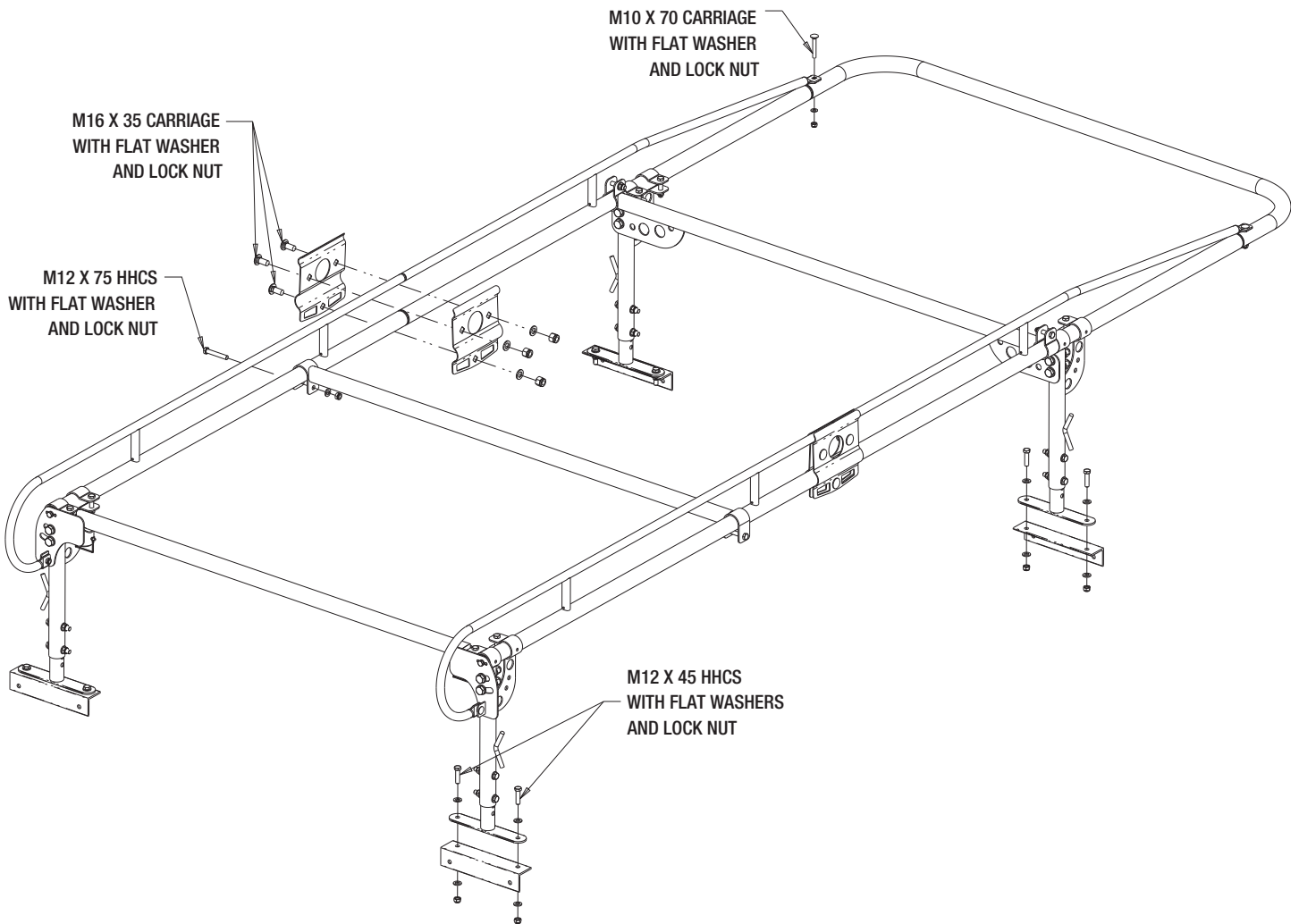
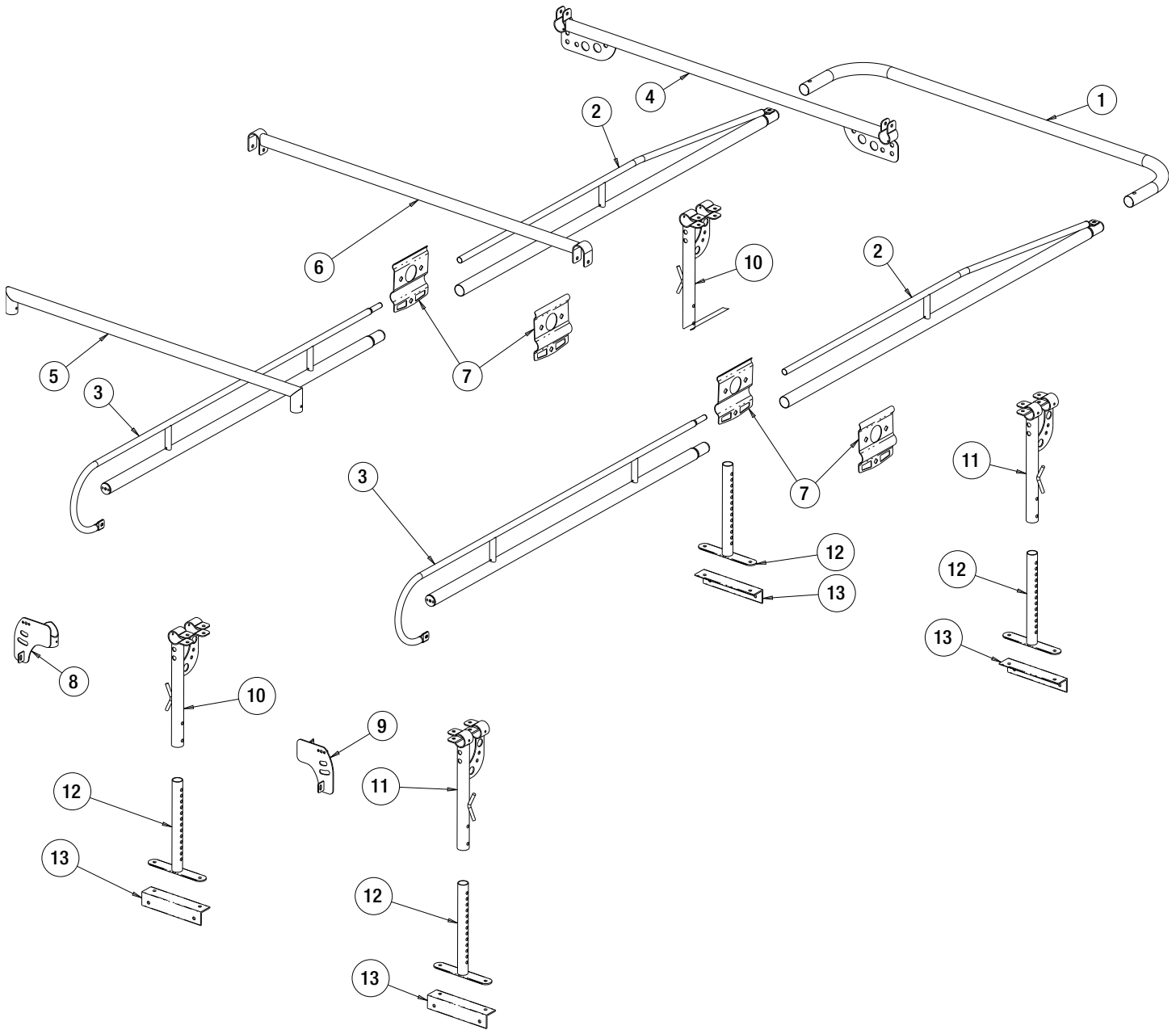


Fig. 5 - PARTS

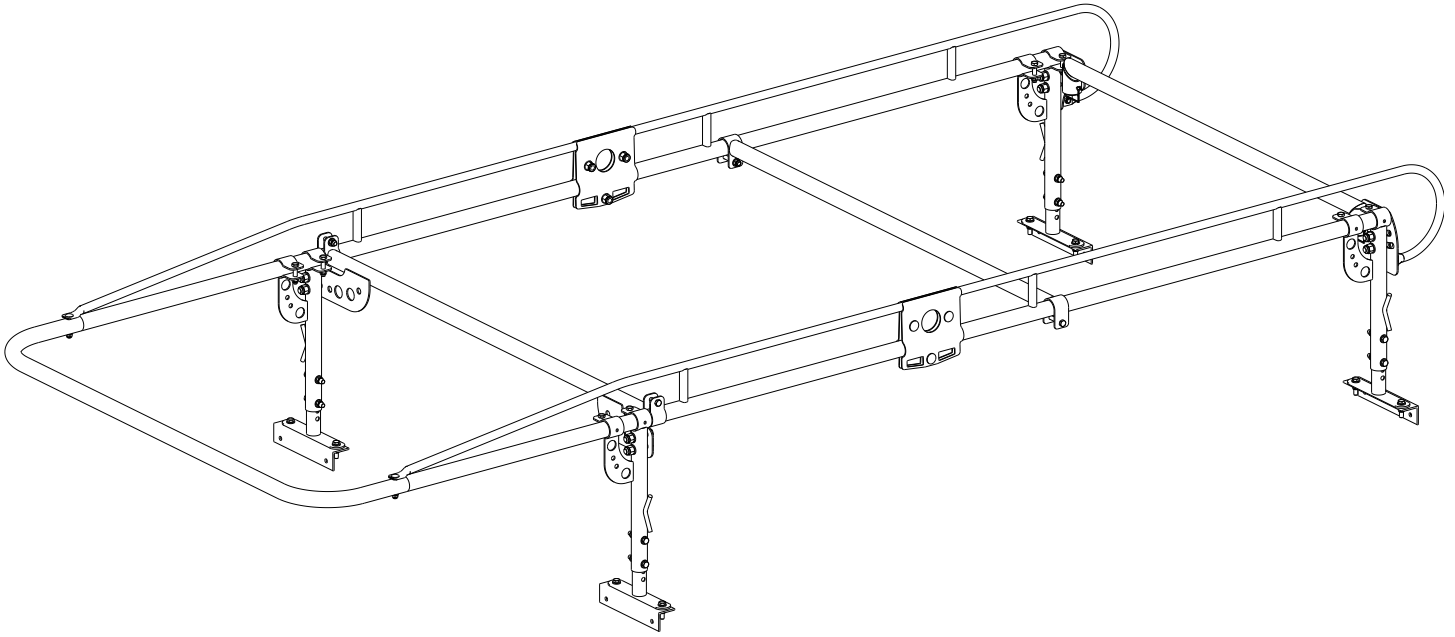


Bills of Material

| ITEM | PART NO. | QTY. | DESCRIPTION |
|------|----------|------|--------------------------------|
| 1 | 3040866 | 1 | FRONT HOOP |
| 2 | 3040867 | 2 | RAIL, SIDE, FRONT |
| 3 | 3040868 | 2 | RAIL, SIDE, REAR (for 1501250) |
| | 3040879 | 2 | RAIL, SIDE, REAR (for 1501260) |
| 4 | 3040869 | 1 | CROSSBAR, FRONT |
| 5 | 3040870 | 1 | CROSSBAR, REAR |
| 6 | 3040871 | 1 | CROSSBAR,CENTER |
| 7 | 3040523 | 4 | PLATE, CONNECTOR, SIDE RAIL |

| ITEM | PART NO. | QTY. | DESCRIPTION |
|------|----------|------|----------------------------------|
| 8 | 3040524 | 1 | BRACKET, CROSSBAR MOUNT, REAR DS |
| 9 | 3040525 | 1 | BRACKET, CROSSBAR MOUNT, REAR PS |
| 10 | 3040872 | 2 | LEG, PS |
| 11 | 3040873 | 2 | LEG, DS |
| 12 | 3040874 | 4 | FOOT ASSEMBLY |
| 13 | 3040875 | 4 | ANGLE, MOUNT, SUPPORT |
| - | 3040876 | 1 | HARDWARE KIT |
| - | 3015981 | 1 | SILICONE TUBE |

Fig. 6 - ASSEMBLED RACK



Optional Mount Position



Underneath View of Hardware and Bracket





www.buyersproducts.com
Phone (440) 974-8888
Fax 800-841-8003

WARRANTY

Buyers Products Co. warrants all truck/trailer hardware manufactured or distributed by it, to be free from defects in material and workmanship for a period of one year from date of shipment. Parts must be properly installed and used under normal conditions. Any product which has been altered, including modification, misuse, accident or lack of maintenance will not be considered under warranty. Normal wear is excluded. The sole responsibility of Buyers Products Co. under this warranty is limited to repairing or replacing any part or parts which are returned, prepaid, and are found to be defective by Buyers Products Co. Authorization from Buyers Products Co. must be obtained before returning any part. No charges for transportation or labor performed on Buyers' products will be allowed under this warranty.