

Installation Instructions

1501400 Aluminum Ladder Rack 1501410 Black Aluminum Ladder Rack

Before installation please read and understand all instructions, illustrations and warnings. Please review the hardware list for all supplied hardware. At least two people are necessary to install this rack.

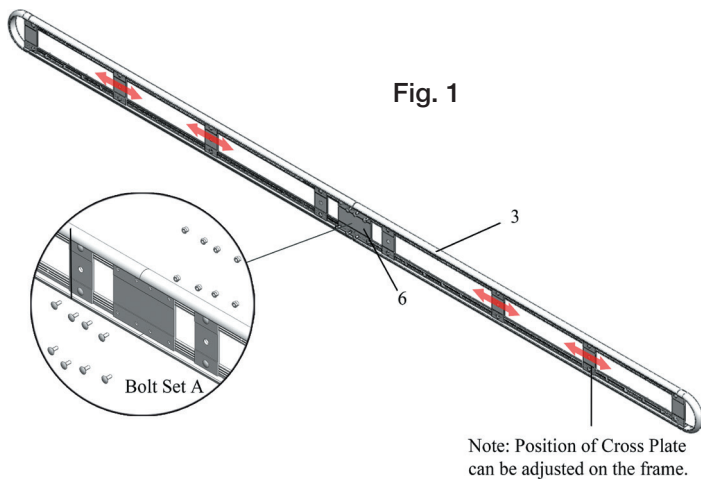
Tools required for assembly:

Open Wrench: 10mm, 13mm, 17mm, & 18mm

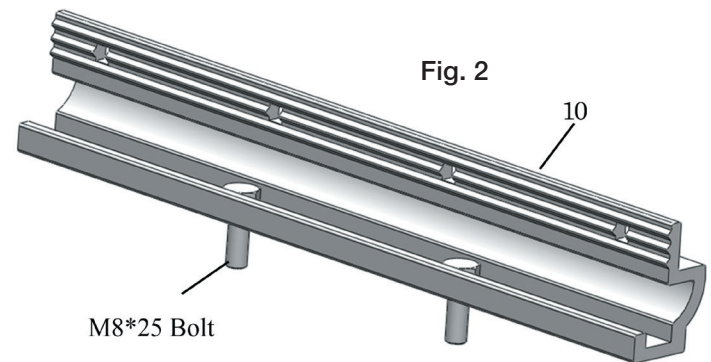
ASSEMBLY

IMPORTANT: DO NOT tighten any bolts during the following steps.

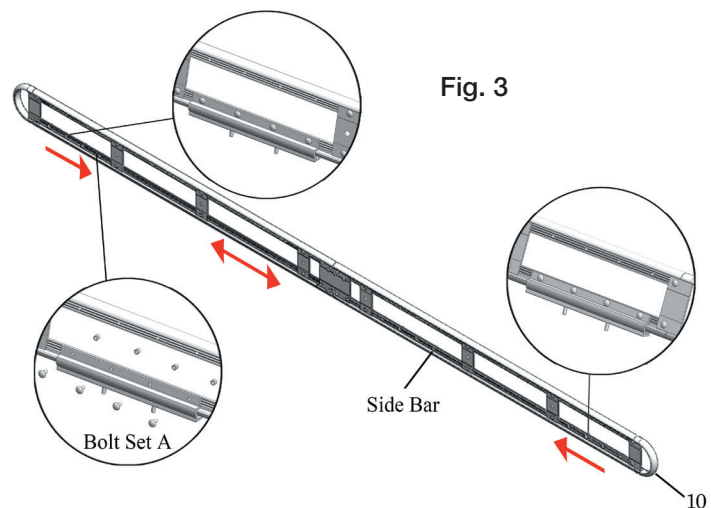
1. Assemble a Side Rail using two Side Rail Halves (3), one Connector Plate (6), and Carriage Bolts and Lock Nuts from Bolt Set A. Repeat for the other side. (Fig. 1)



2. Place M8*25 bolts from Bolt Set B into the two holes on each of three Connecting Clamps (10). (Fig. 2)



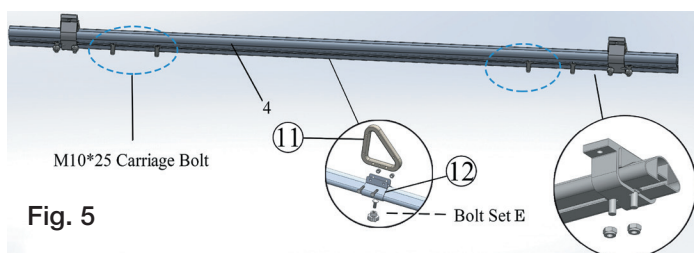
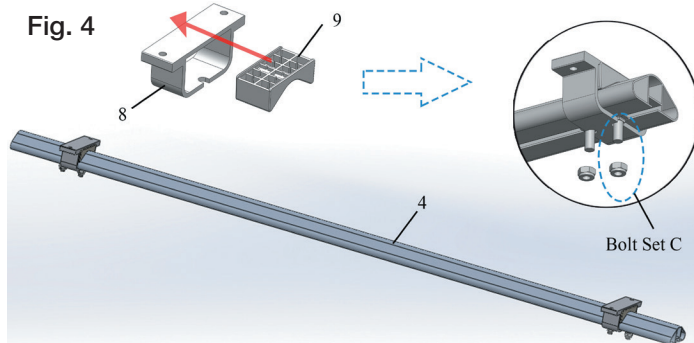
3. Place one Connecting Clamps (10) onto each end of the Side Rails (3). Install a third Connecting Clamp (10) in a position that will be suitable to connect Post A (1) and Post B (2) later. Secure them temporarily with Carriage Bolts and Lock Nuts from Bolt Set A. (Fig. 3)



—continued inside

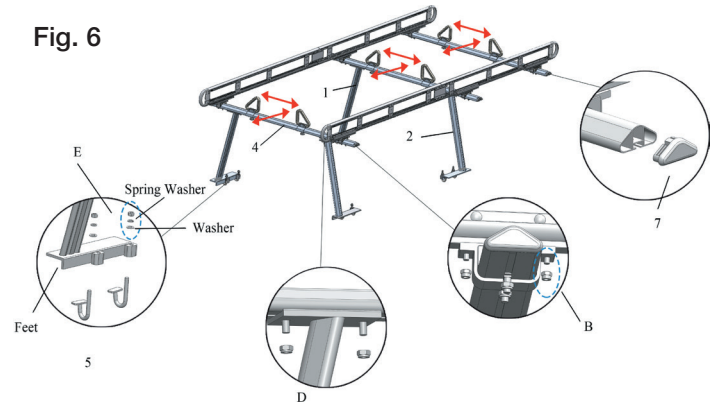
4. Preassemble the front Crossbar. If desired and not preassembled, install the carriage bolt from Bolt Set E into the Divider's Mounting Sleeve then Slide into the slot of the Cross Bar. Attach the Divider and then re-repeat for a second Sleeve. Next, slide one M10*25 Carriage Bolt (Bolt Set C) into the slot of the Cross Bar (4), then slide one Rubber V Pad Assembly (items 8 and 9) onto the end of the Cross Bar, then slide another M10*25 Carriage Bolt (Bolt Set C) into the slot of the cross bar. Next, position the M10*25 Carriage Bolts in the notches of the Rubber V Pad Assembly and secure. Repeat this step for the other end of the Cross Bar. (Fig. 4 & Fig. 5)

5. Preassemble Crossbars 2 and 3. If desired and not preassembled, install the carriage bolt from Bolt Set E into the Divider's Mounting Sleeve then Slide into the slot of the Cross Bar. Attach the Divider and repeat for a second Sleeve. Next, slide four M10*25 Carriage Bolts (Bolt Set C) into the slot of a Cross Bar and position them near the center. (These bolts will be used to attach Post A (1) and Post B (2).) Slide one additional M10*25 Carriage Bolt into the slot at each end of the Cross Bar then slide one Rubber V Pad Assembly (8 and 9) and another M10*25 Carriage Bolt on each end. Position the M10*25 Carriage Bolts in the notches of the Rubber V Pad Assemblies and secure with Bolt Set C. Repeat this step for the third Crossbar. (Fig. 4 & Fig. 5)



6. Position Post A (1) and Post B (2) on the truck bed rails with the long part of their mounting feet toward the center of the bed. Insert J-hooks (5) up through the mounting holes and secure with the Nuts and Washers from Bolt Set E. Once in position, tighten to ensure that J-Hooks are holding the foot tightly against the bed rails. (Fig. 6)

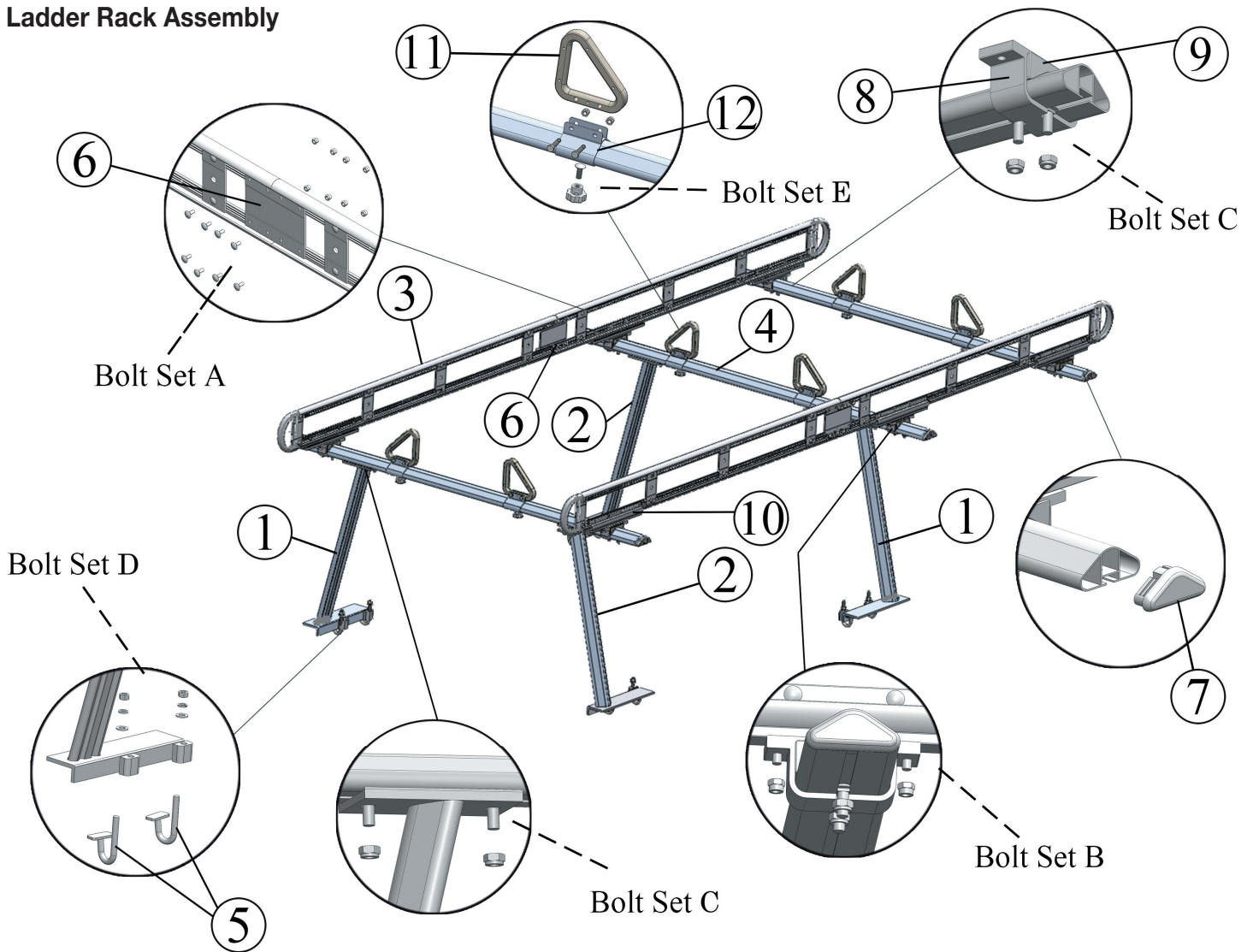
Fig. 6



7. Install the two Cross Bars with the four extra bolts onto the Posts by placing the bolts through the holes in Posts and secure with Bolt Set D. Attach the Side Rails to the Cross Bars with M10*25 Carriage Bolts through Rubber V Pad Assemblies and secure with Bolt Set B. (Fig. 6) **NOTE: The Posts may need to be repositioned in order to line up holes when securing to the Side Rails.**

8. Measure Side Rail to Side Rail while Squaring and leveling all components. Tighten all hardware securely. Install a End Plug (7) into each end of the three Cross Bars. **NOTE: The Side Rails may need adjusted to provide room for installing the Plugs.**






Ladder Rack Assembly



Bill of Material

ITEM	QTY.	DESCRIPTION	ANODIZED ALUMINUM	BLACK POWDER COAT
1	2	Post A	3037667	3037680
2	2	Post B	3037668	3037681
3	4	Side Rail	3037669	3037682
4	3	Crossbar	3037670	3037683
5	8	J Hook	3037671	
6	2	Connector Plate	3037672	3037684
7	6	End Plug	3037673	
8	6	Slide Base	3037674	3037685
9	6	Rubber V Pad	3037675	
10	6	Connecting Clamp	3037676	3037686
11	6	Divider	3037677	
12	6	Mounting Sleeve	3037678	3037687

Hardware List

BOLT SET	PART NUMBER		QUANTITY	DESCRIPTION
A	3037690		40	M6*16 Carriage Bolt (stainless steel) M6 Lock nut (stainless steel)
B	3037691		12	M8*25 Bolt (stainless steel), M8 Lock nut (stainless steel)
C	3037692		20	M10*25 Carriage Bolt (stainless steel), M10 Lock nut (stainless steel)
D	3037693		8	M12 Nut (stainless steel), M12 spring Washer (stainless steel), M12 Washer (stainless steel)
E	3037694		6	Adjustment knob, M10*25 Carriage Bolt (stainless steel), M8*40 Bolt x2 (stainless steel), M8 Lock nut x2 (stainless steel)

WARRANTY

Buyers Products Co. warrants all truck/trailer hardware manufactured or distributed by it, to be free from defects in material and workmanship for a period of one year from date of shipment. Parts must be properly installed and used under normal conditions. Any product which has been altered, including modification, misuse, accident or lack of maintenance will not be considered under warranty. Normal wear is excluded. The sole responsibility of Buyers Products Co. under this warranty is limited to repairing or replacing any part or parts which are returned, prepaid, and are found to be defective by Buyers Products Co. Authorization from Buyers Products Co. must be obtained before returning any part. No charges for transportation or labor performed on Buyers' products will be allowed under this warranty.