

# Installation Instructions

---

## 1501675 Aluminum Truck Rack 1501680 Black Aluminum Truck Rack

**Max Capacity:** 800 lbs.

### **WARNING**

Read carefully and understand all **ASSEMBLY AND OPERATION INSTRUCTIONS** before operating. Failure to follow the safety rules and other basic safety precautions may result in serious personal injury.

Please read and understand all instructions before use. Retain this manual for future reference.

### **Use and Care**

- Do not over fill the rack. Racks do a better and safer job when used in the manner for which they are designed. Plan your work, and do not overload.
- Check for damaged parts before each use. Carefully check that the rack will operate properly and perform its intended function. Replace damaged or worn parts immediately. Never load the rack with a damaged part.
- Do not let children play with or around the rack. It is not a toy. Store it in a dry, secure place out of the reach of children. Inspect the rack for good working condition prior to storage and before re-use.
- Use only accessories that are recommended by the manufacturer for use with your rack. Accessories that may be suitable for one rack may create a risk of injury when used with another rack. Be aware of the different loading capacities of each accessory.



### **WARNING**

#### **WORK AREA SAFETY**

- Inspect the work area before installation. Keep work area clean, dry, free of clutter, and well lit. Cluttered, wet, or dark work areas can result in injury. Installing the truck rack in confined work areas may put you dangerously close to other cutting tools and rotating parts.
- Do not allow the rack to come into contact with an electrical source. The rack is not insulated and contact will cause electrical shock.
- Keep children and bystanders away from the work area while installing the truck rack.
- Be aware of all power lines, electrical circuits, water pipes, and other mechanical hazards in your work area. Some of these hazards may be below the work surface hidden from your view and may cause personal harm or property damage if unintentionally contacted.

#### **PERSONAL SAFETY**

- Stay alert, watch what you are doing, and use common sense when installing the truck rack, loading and unloading. Do not load the rack while you are tired or under the influence of drugs, alcohol, or medication. A moment of inattention may result in serious personal injury.
- Use safety apparel and equipment when necessary. Use ANSI-approved safety goggles or safety glasses with side shields, or when needed, a face shield. Use a dust mask in dusty work conditions. Also use non-skid safety shoes, hardhat, gloves, dust collection systems, and hearing protection when appropriate. This applies to all persons in the work area.
- Do not overreach when loading and unloading. Keep proper footing and balance at all times.

#### **OPERATION SAFETY**

- Carrying any load can be hazardous. All loads must be tied down securely to the rack to prevent them from vibrating or sliding forward, backward, laterally or being blown off or broken by unexpected wind or road hazards such as potholes.
- Check each time you install the rack, load the rack, as well as daily to ensure that all connections are tight. Periodically check welds for cracking caused by metal fatigue.
- Avoid roll over by ensuring that loads are not top-heavy. High loads must be transported with **GREAT CAUTION** to prevent loads from striking low overhead objects or tipping during turns, abrupt stops, or high winds

## Assembly Instructions

**IMPORTANT: DO NOT fully tighten any bolts during steps 1 or 2.**

- 1. Preassemble Crossbars – Fig. 1**
  - a.** If necessary, insert M10x25 bolt into each Mounting Sleeve.
  - b.** Install two Mounting Sleeves onto each Crossbar.
  - c.** Install a Divider into each Mounting Sleeve using M8x40 bolts and M8 Lock Nuts.  
**NOTE: Make sure that each Divider's vertical leg is facing the center as shown in Fig 1.**
  - d.** Position each Dividers with an Adjustment Knob by loosening the Knob, sliding the Divider to a desired location and retightening the Adjustment Knob.
- 2. Install Legs – Fig 2**
  - a.** Attach Post A to the preassembled Crossbar using M10x25 Bolts, M10 Flat Washer, M10 Spring Washer and M10 Locking Nut. **DO NOT FULLY TIGHTEN AT THIS TIME.**
  - b.** Attach Post B to the opposite side of the Crossbar using the same M10 hardware. **DO NOT FULLY TIGHTEN AT THIS TIME. Note: Install so that the mounting feet on the Posts face the same direction.**
  - c.** Repeat this process for the second Crossbar
- 3. Install the Assembled Rack**
  - a.** Position one Assembled Crossbar near the cab of the truck ensuring that the flanges on the Posts' mounting feet are flush against the inside rail of the truck bed.
  - b.** Attach to the truck bed by installing J-Hooks up through the tubes on the mounting feet and tightening with M12 Flat Washers, Spring Washers and Nuts.  
**NOTES: Acorn Nuts are provided to cap the ends of the J-Bolts if desired. The extra length of J-bolts may be cut off prior to installing the Acorn Nuts if desired. Be sure to leave enough thread for this installation.**
  - c.** Confirm the Posts are properly positioned and tightened then center the Crossbar and fully tighten the M10 hardware used to mount the Crossbar onto the Posts.
  - d.** Repeat this process for the Rear Crossbar Assembly.

Fig. 1

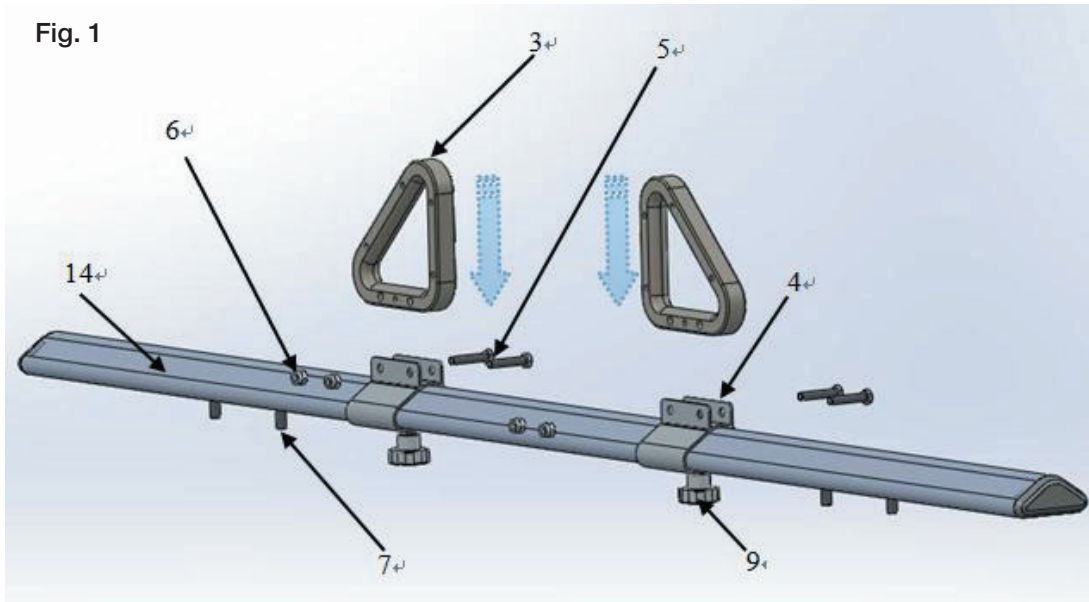
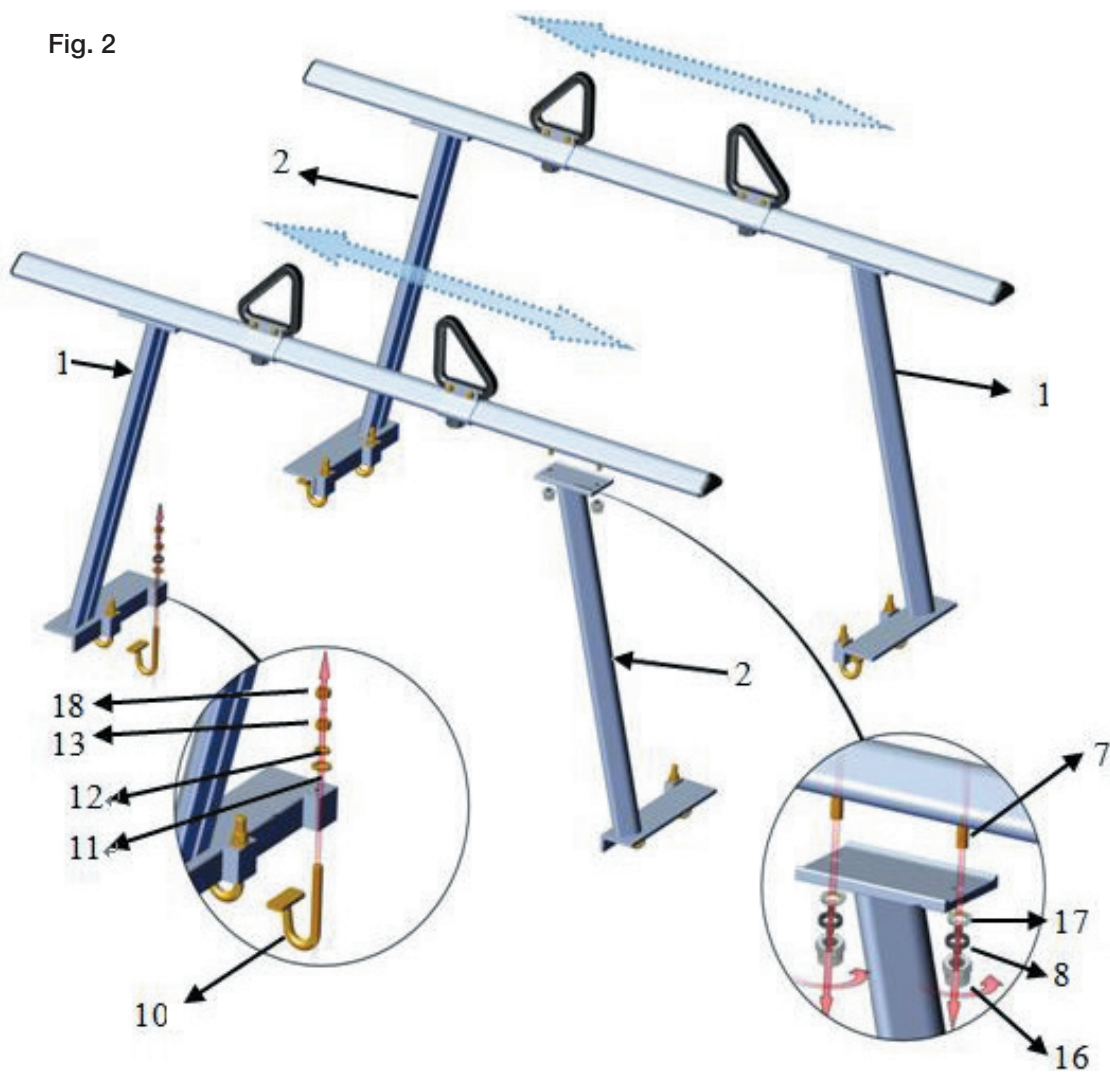
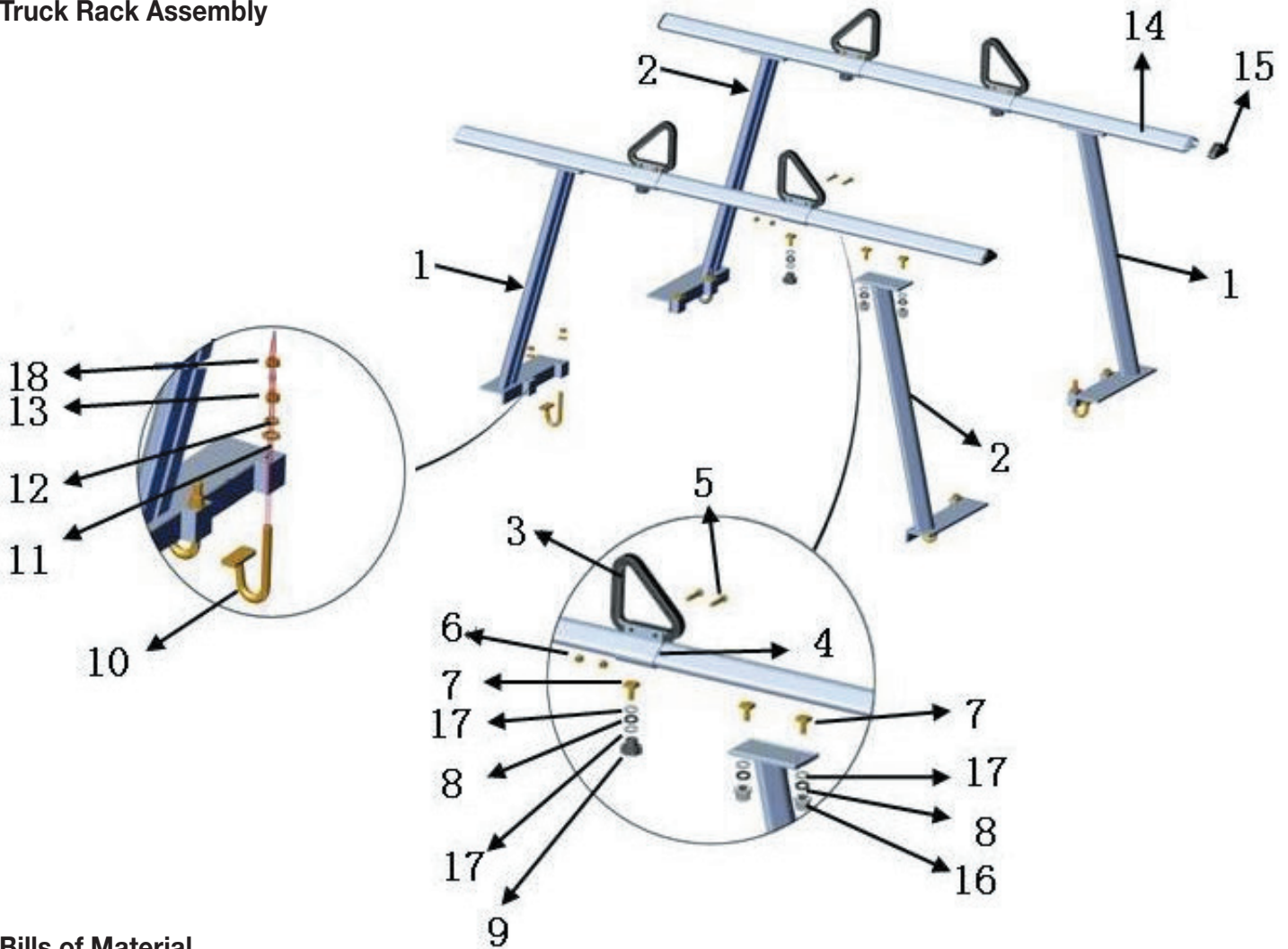


Fig. 2



### Truck Rack Assembly



### Bills of Material

ITEM	QTY.	DESCRIPTION	ALUMINUM (1501675)	BLACK POWDER COAT (1501680)
1	2	Post A	3039590	3037680
2	2	Post B	3039591	3037681
3	4	Divider		3037677
4	4	Mounting Sleeve	3039593	3037687
5	8	HHCS, M8X40		3039594
6	8	Nut,Locking,M8		3039595
7	12	HHCS, M10x25		3039596
8	12	Washer,Spring,M10		3039597
9	4	Adjustment Knob		3039598

ITEM	QTY.	DESCRIPTION	ALUMINUM (1501675)	BLACK POWDER COAT (1501680)
10	8	J Hook		3037671
11	8	Washer,Flat,M12		3039599
12	8	Washer,Spring,M12		3039600
13	8	Nut,M12		3039601
14	2	Crossbar	3039592	3037683
15	4	End Plug		3037673
16	8	Nut,Locking,M10		3039602
17	16	Washer,M10		3039603
18	8	Nut,Acorn,M12		3039604