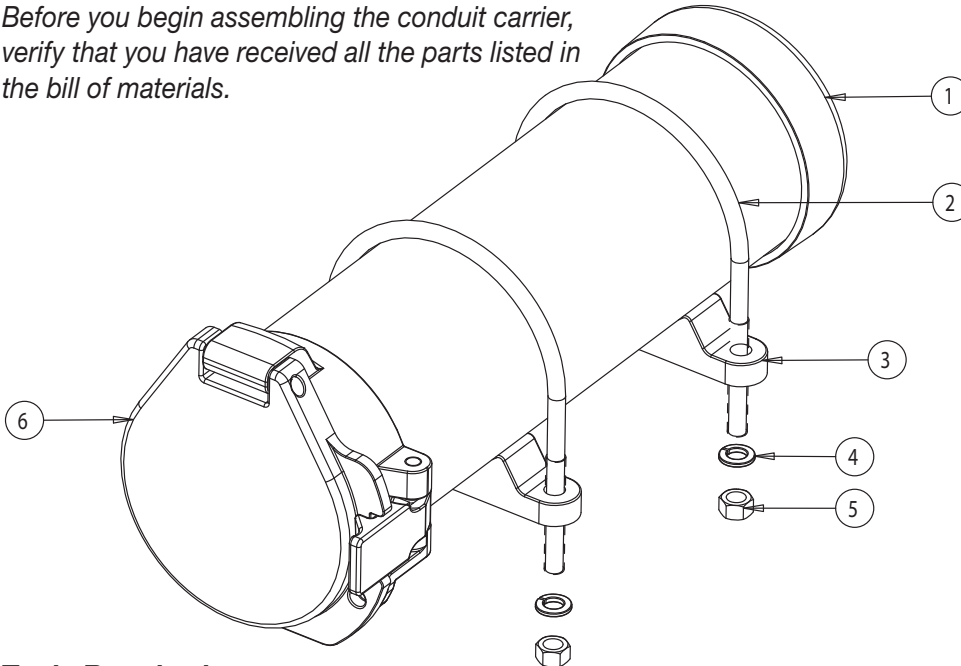


# Installation Instructions

## CC400 4" | CC600 6" | CC800 8" Conduit Carriers

Before you begin assembling the conduit carrier, verify that you have received all the parts listed in the bill of materials.



### Tools Required:

- 3/8" Drill and 3/8" Drill Bit
- Tape Measure
- Silicon Sealant
- 8 Cap Fasteners (rivets/nuts and bolts)
- Drill Bit for Selected Fastener

**1.** Assemble the front and rear covers to a length of 4" or 6" PVC pipe. Apply a bead of silicon sealant (not supplied) to the inside of the front and rear covers before sliding them over the ends of the PVC pipe.

**2.** Secure the caps to the PVC pipe with either pop rivets or screws (not supplied) in four places. Drill suitably sized holes for your fastener through the cap and PVC pipe. Drill the holes in the 2 o'clock, 4 o'clock, 8 o'clock and 10 o'clock positions.

**3.** Determine the position on your truck or van ladder rack that you would like to mount your new conduit carrier. Drill two 3/8" holes in each of the ladder rack cross rails for the U-bolts and saddles. Center saddles as needed.

**4.** Assemble the conduit carrier assembly to the ladder rack with the saddles, U-bolts, lock washers and nuts supplied.

### Bill of Materials

#### CC400 Conduit Kit for 4" PVC

ITEM	PART NO.	QTY.	DESCRIPTION
1	3016367	1	Cap, Rear, 4"
2	3016371	2	U-Bolt 3/8-16 Thread
3	3016369	2	Saddle 4"
4	-	4	3/8 Lock Washer
5	-	5	3/8-16 Nut
6	3016383	1	Cap, Front, 4"

#### CC600 Conduit Kit for 6" PVC

ITEM	PART NO.	QTY.	DESCRIPTION
1	3016366	1	Cap, Rear, 6"
2	3016370	2	U-Bolt 3/8-16 Thread
3	3016368	2	Saddle 6"
4	-	4	3/8 Lock Washer
5	-	5	3/8-16 Nut
6	3016382	1	Cap, Front, 6"

#### CC800 Conduit Kit for 8" PVC

ITEM	PART NO.	QTY.	DESCRIPTION
1	3025858	1	Cap, Rear, 8"
2	3025859	2	U-Bolt 3/8-16 Thread
3	3025860	2	Saddle 8"
4	-	4	3/8 Lock Washer
5	-	5	3/8-16 Nut
6	3025864	1	Cap, Front, 8"

### WARRANTY

Buyers Products Co. warrants all truck/trailer hardware manufactured or distributed by it, to be free from defects in material and workmanship for a period of one year from date of shipment. Parts must be properly installed and used under normal conditions. Any product which has been altered, including modification, misuse, accident or lack of maintenance will not be considered under warranty. Normal wear is excluded. The sole responsibility of Buyers Products Co. under this warranty is limited to repairing or replacing any part or parts which are returned, prepaid, and are found to be defective by Buyers Products Co. Authorization from Buyers Products Co. must be obtained before returning any part. No charges for transportation or labor performed on Buyers' products will be allowed under this warranty.