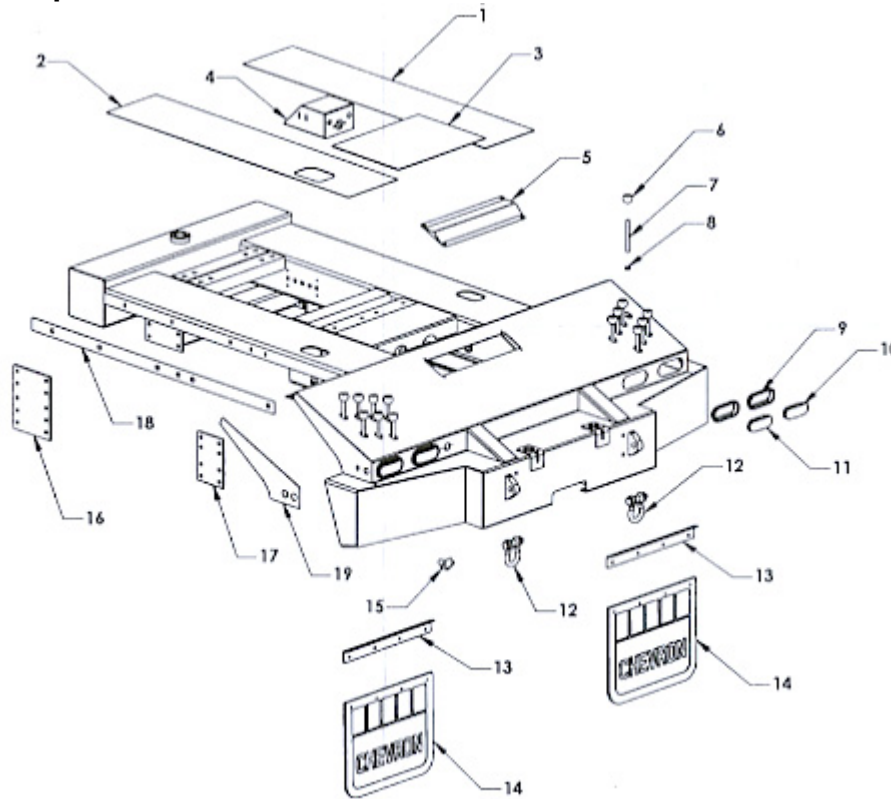


## 1014 Subframe Components



ITEM	PART NUMBER	DESCRIPTION	NUMBER REQUIRED
1	261191	BRIGHT ALUMINUM DECK PLATE - RIGHT	1
2	261192	BRIGHT ALUMINUM DECK PLATE - LEFT	1
3	261193	BRIGHT ALUMINUM DECK PLATE - MIDDLE	1
4	A70500	GLAD HAND BOX	1
5	51141	REAR ACCESS COVER	1
6	7A211	CONTROL KNOBS	14
7	7A165	CONTROL HANDLE	14
8	83421	5/8 JAM NUT	14
9	92650	TAIL LIGHT GROMMET	4
10	92600R	TAIL LIGHT	2
11	95600	BACKUP LIGHT	2
12	84716	6-1/2 TON SCACKLE & SCREW PIN	2
13	26285	MUDFLAP BRACKET	2
14	A1070	MUDFLAP 24 x 21	2
15	98400	TOW LIGHT SOCKET	1
16	26324	FRONT MOUNTING BRACKET	2
17	26325	MIDDLE MOUNTING BRACKET	2
18	54602L	RUBBER GASKET - LEFT MIDDLE	1
-	54602R	RUBBER GASKET - RIGHT MIDDLE	1
19	54603L	RUBBER GASKET - LEFT REAR	1
-	54603R	RUBBER GASKET - RIGHT REAR	1

**EVERYTHING YOU NEED TO TOW, RIG, RECOVER & HAUL**