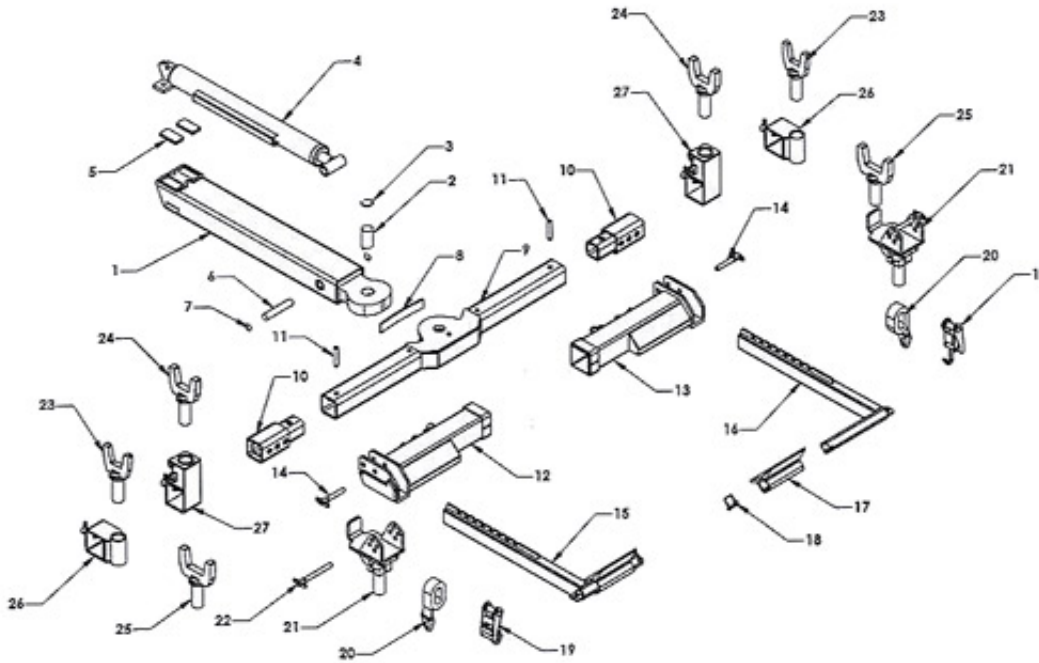


1014 Underlift Components



ITEM	PART NUMBER	DESCRIPTION	NUMBER REQUIRED
1	68100	SLIDE CARRIAGE	1
2	68200	L-BOOM	1
3	7216142	LIFT CYLINDER	2
4	7216141	POWER TILT CYLINDER	2
5	68125	SLIDE CARRIAGE PIVOT PIN 1.975 x 22.938	1
6	68701	UNDERLIFT MOUNTING BRACKET	2
7	81710	BOLT 7/8 x 2.25 COARSE THREAD	6
8	83611	NUT 7/8 COARSE THREAD	6
9	26306	PIN 1.480 x 20.875 SNAP-RING GROOVE	1
10	68123	PIN 1.480 x 10625 SNAP-RING GROOVE	1
11	86150E	RETAINING RING 1.50 EXTERNAL	4
12	64712	PIN .980 x 7 SNAP-RING GROOVE	2
13	86100E-1	RETAINING RING 1.00 EXTERNAL	4
14	65714	PIN .980 x 7 SNAP-RING GROOVE	2
15	83100I	RETAINING RING 1.00 INTERNAL	4
16	68231	SHIM PAD 1/2 x 2.5 x 6.5	1
17	812A7	BOLT 3/8 x 3/4 COARSE THREAD BUTTON HEAD	2
18	83311	FLAT WASHER 3/8 ID x 9/16 OD	2
19	61735	WEAR PAD 2.5 x 3 NYLATRON	2
20	68130	WEAR STRIP 3.8 x 2.75 x 32.75	4
21	812F0	FLAT HEAD SCREW 5/16 x 1	20
22	812F1	FLAT HEAD SCREW 5/16 x 1.5	4
23	83120	NYLON LOCK NUT 5/16	24