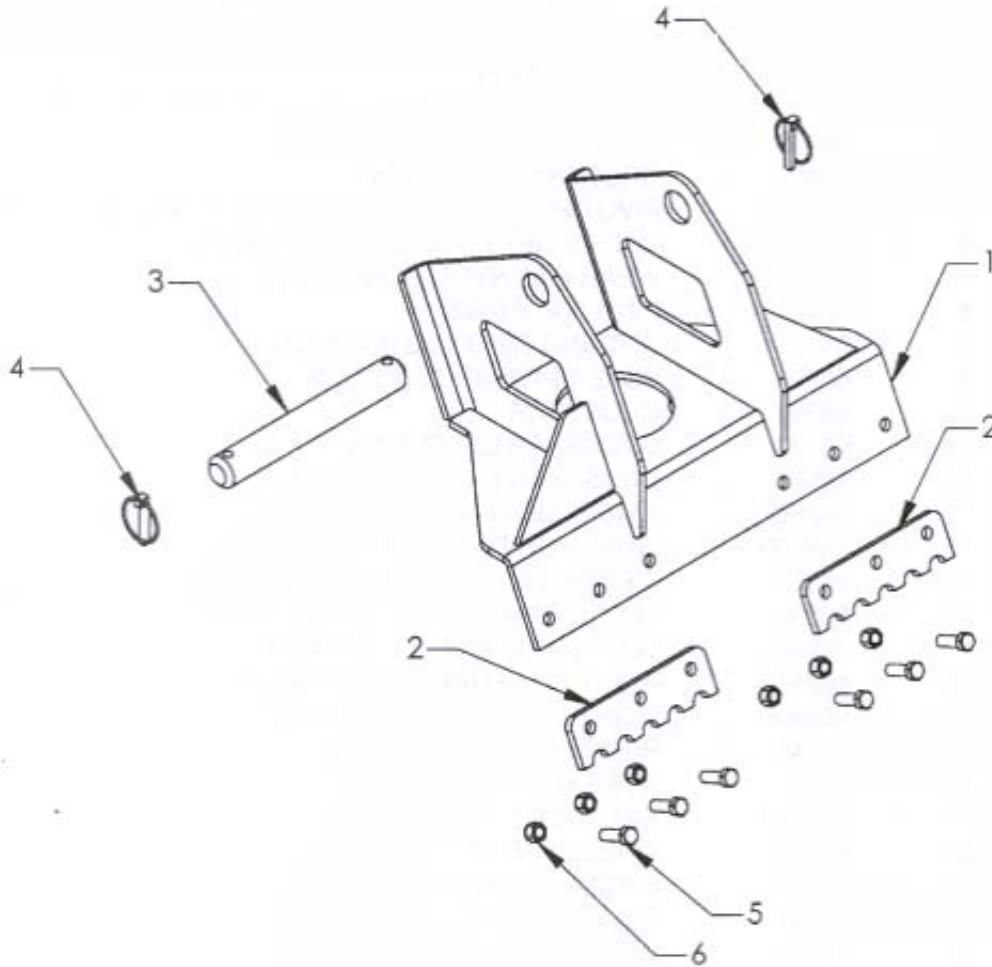


Underlift Spade Group



ITEM	PART NUMBER	DESCRIPTION	NUMBER REQUIRED
-	6961410G	SPADE GROUP	-
1	6961410	SPADE WELDMENT	1
2	6961413	SPADE TEETH	2
3	6961419	SPADE MOUNTING PIN	1
4	84712	LINCH PIN - 1.50	2
5	81439	BOLT 1/2-13 x 1.75	6
6	883312	NYLON LOCK NUT 1/2-13	6