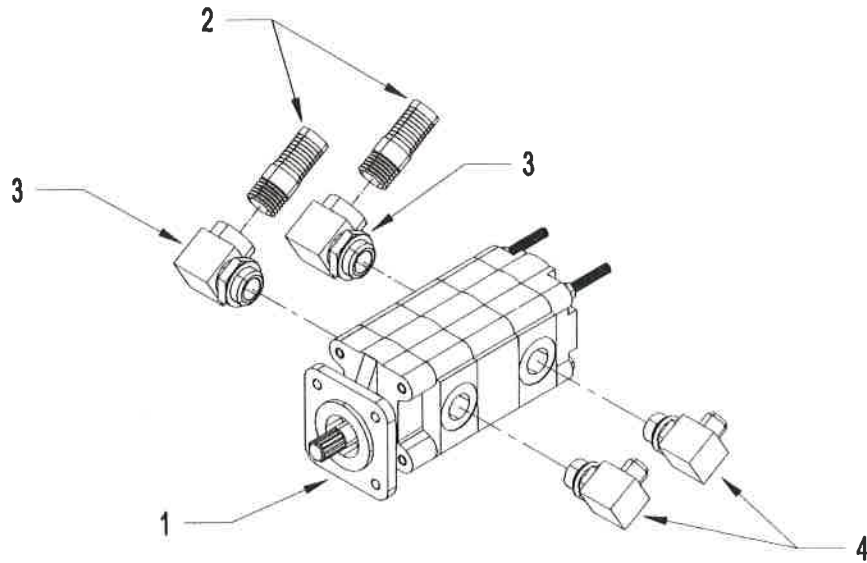
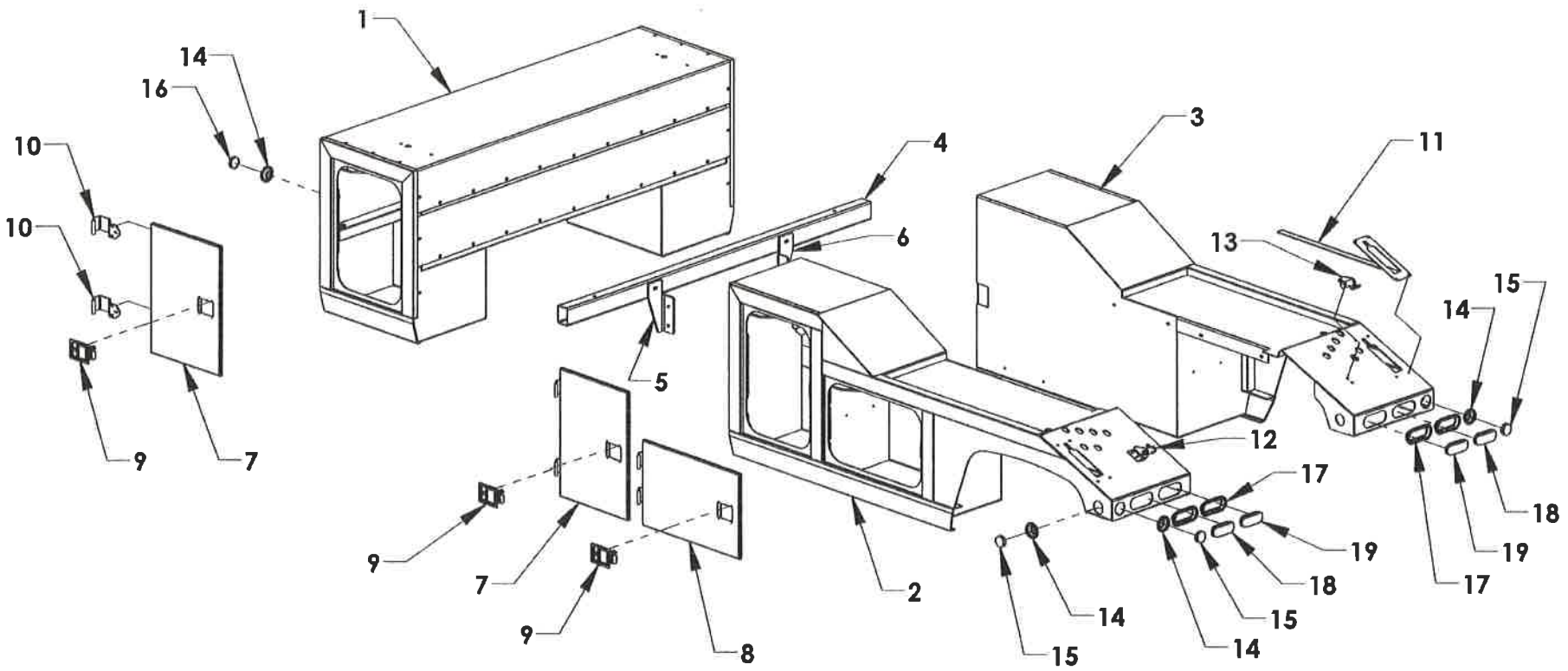


Section V - PARTS
DIRECT MOUNT TANDEM PUMP



REF	PART #	DESCRIPTION	QPU
1	78014	TANDEM PUMP 15 GPM x 15 GPM	1
2	77CH0	1-1/4 x 3 NPT NIPPLE	2
3	77C90	1-1/4 x 90 M-F O-RING ADAPTER 887-554-20	2
4	77C91	1 M O-RING x 3/4 MJIC x 90	2

Section V - PARTS
1016 MODULAR BOX COMPONENTS

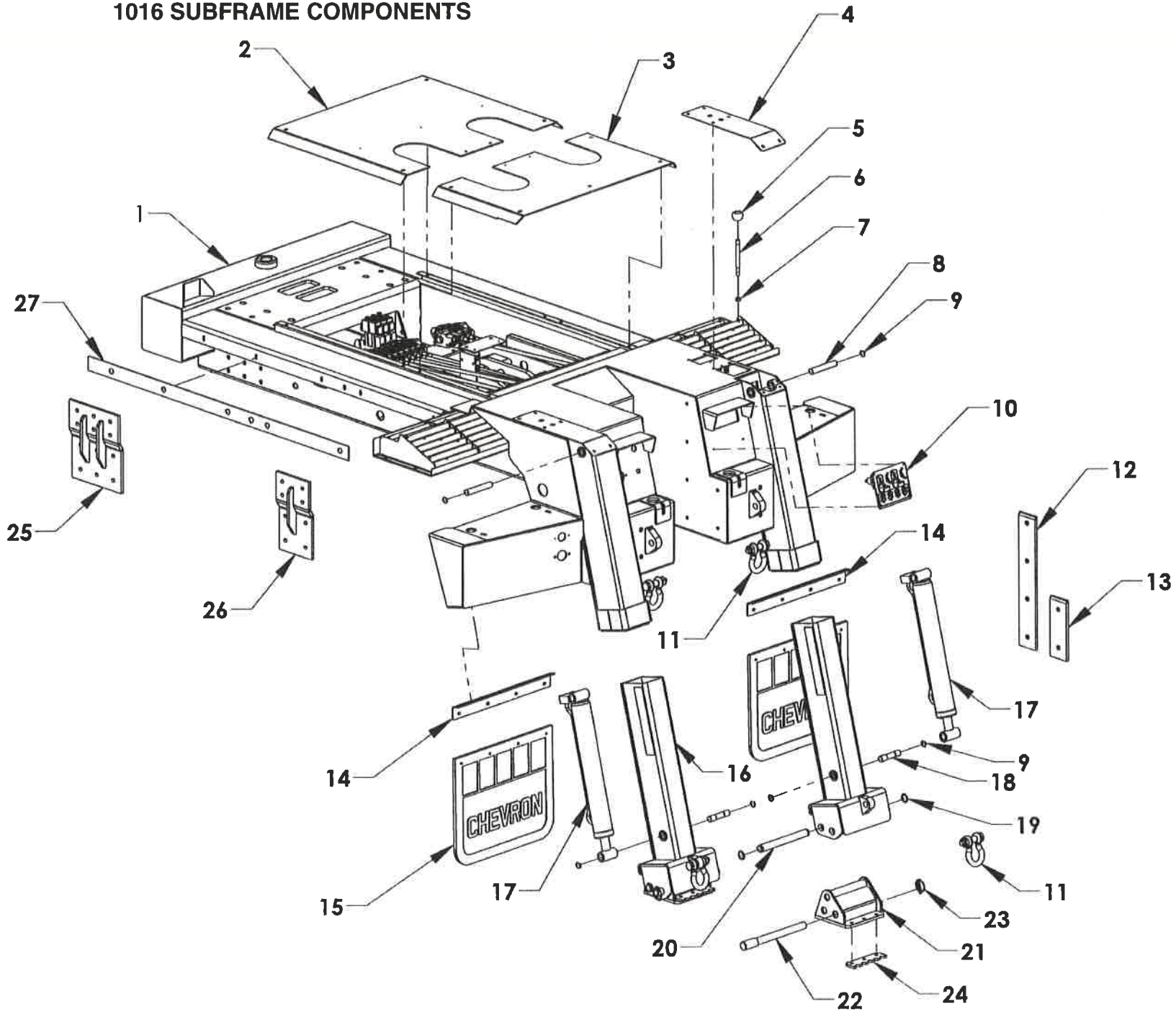


Section V - PARTS**1016 MODULAR BOX COMPONENTS**

REF	PART #	DESCRIPTION	QPU
1	5469028	28 INCH TUNNEL BOX	1
2	5466120L	MODULAR BOX - DRIVER SIDE 120 CA	1
	5466108L	MODULAR BOX - DRIVER SIDE 108 CA	1
3	5466120R	MODULAR BOX - PASSENGER SIDE 120 CA	1
	5466108R	MODULAR BOX - PASSENGER SIDE 108 CA	1
4	54650	MODULAR BOX FRONT CROSSMEMBER	1
5	54655L	CROSSMEMBER MOUNTING BRACKET - LEFT	1
6	54665R	CROSSMEMBER MOUNTING BRACKET - RIGHT	1
7	54660	FRONT DOOR	4
8	54680	REAR DOOR - 120 CA	2
	54670	REAR DOOR - 108 CA	2
9	54658	ROTARY PADDLE LATCH	6
10	54635	DOOR HINGE	12
11	5462A0	WHEEL RETAINER STORAGE GUARD	2
12	59240L	WHEEL RETAINER LOCK PIN - LEFT	1
13	59240R	WHEEL RETAINER LOCK PIN - RIGHT	1
14	93150	MARKER LIGHT GROMMET	6
15	93100R	RED REFLECTIVE MARKER LIGHT	4
16	93100A	AMBER REFLECTIVE MARKER LIGHT	2
17	92650	TAIL LIGHT GROMMET	4
18	95600R	TAIL LIGHT	2
19	95600	BACKUP LIGHT	2

Section V - PARTS

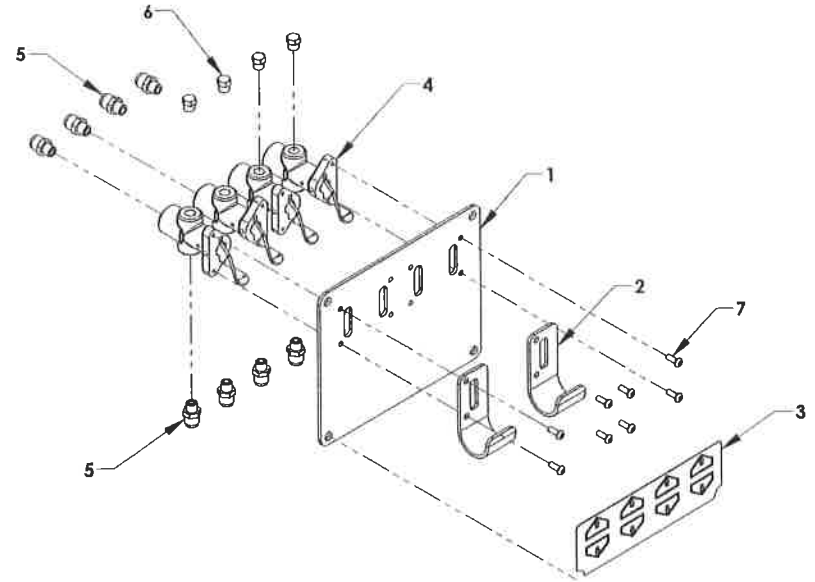
1016 SUBFRAME COMPONENTS



Section V - PARTS
1016 SUBFRAME COMPONENTS

REF	PART #	DESCRIPTION	QPU
1	266010	SUBFRAME	1
2	2660751	FRONT ACCESS COVER	1
3	2660752	REAR ACCESS COVER	1
4	266058	STABILIZER ACCESS COVER	2
5	7A211	CONTROL KNOB	16
6	7A168	CONTROL HANDLE	16
7	83421	5/8 JAM NUT	16
8	262617	PIN .980 x 6.00	2
9	861001	RETAINING RING 1.00 INTERNAL	8
10	26605G	AIR VALVE ASSEMBLY	1
11	84716	6-1/2 TON SHACKLE AND SCREW PIN	4
12	266062	UHHW WEAR PAD	2
13	266061	UHHW WEAR PAD	2
14	26285	MUDFLAP BRACKET	2
15	A1070	MUDFLAP 24 x 21	2
16	262620	INNER STABILIZER TUBE	2
17	72190	STABILIZER CYLINDER	2
18	65714	PIN .980 x 4.625	2
19	86125I	RETAINING RING 1.25 EXTERNAL	4
20	262637	STABILIZER POD PIVOT PIN	2
21	262630	STABILIZER POD	2
22	262638	STABILIZER POD POSITION PIN	2
23	84712	LYNCH PIN	2
24	6961413	CLEAT	2
25	266090	FRONT MOUNTING BRACKET	2
26	266095	MIDDLE MOUNTING BRACKET	2
27	546022	RUBBER GASKET	2

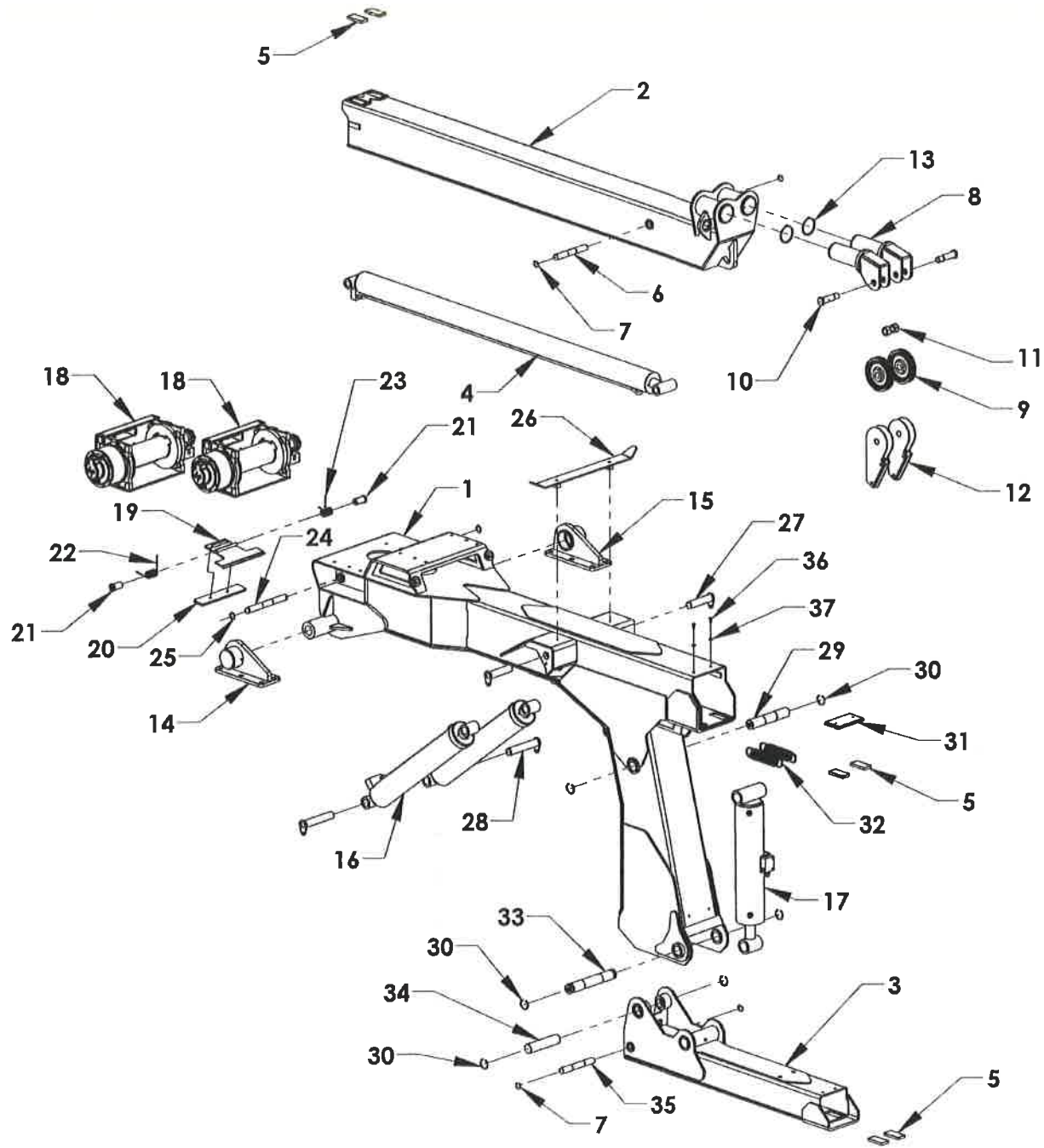
Section V - PARTS
1016 AIR VALVES



REF	PART #	DESCRIPTION	QPU
1	26605A	AIR VALVE MOUNTING PANEL	1
2	18145	AIR VALVE TOGGLE GUARD	2
3	AA876	AIR VALVE CONTROL PANEL	1
4	71716	AIR VALVE	4
5		PUSH-ON AIR FITTING-STRAIGHT 04X02	8
6		1/8 NPT PLUG	4
7		SCREW 10-24 x 3/4	8

Section V - PARTS

1016 RECOVERY BOOM COMPONENTS



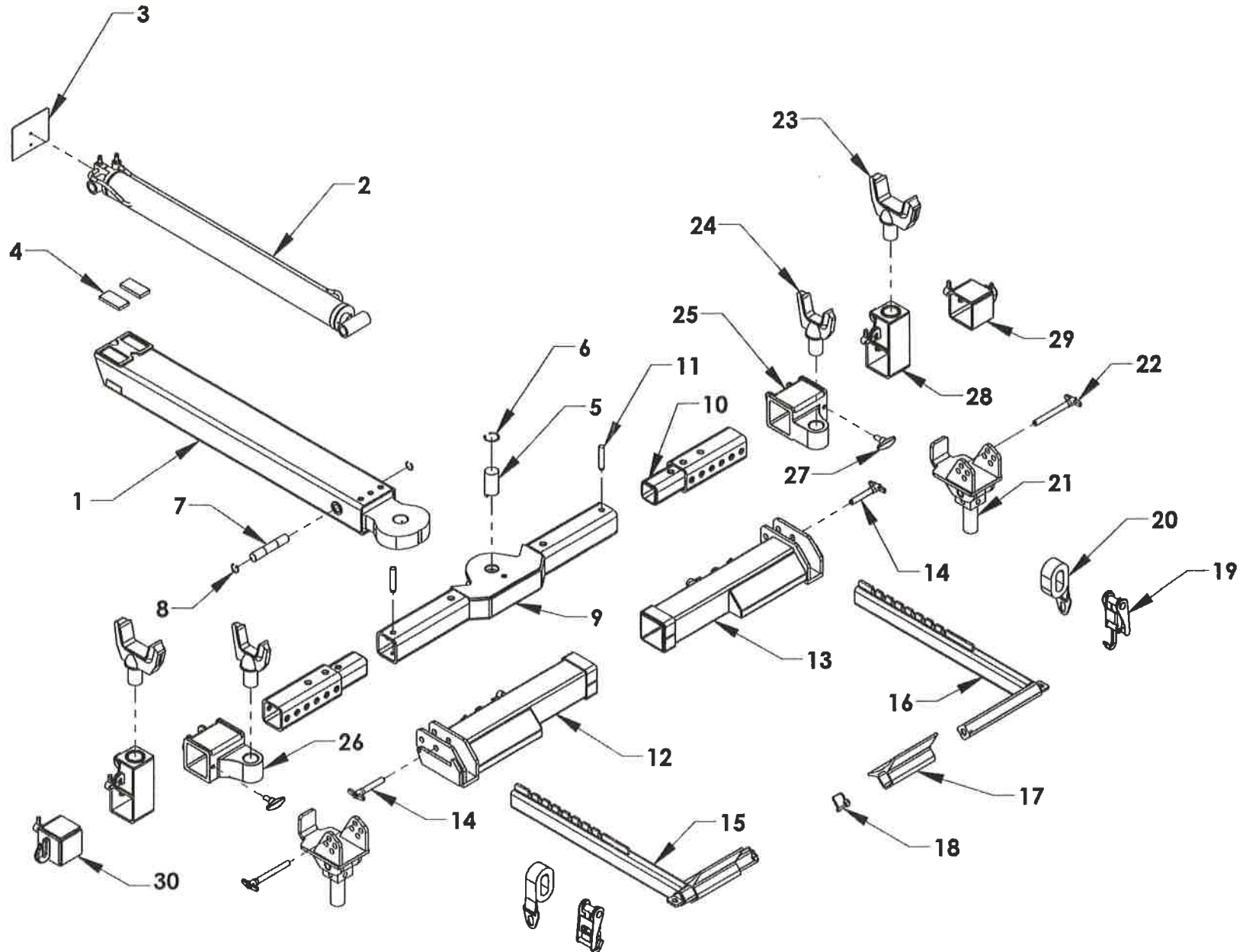
Section V - PARTS

1016 RECOVERY BOOM COMPONENTS

REF	PART #	DESCRIPTION	QPU
1	616020	INTEGRATED BOOM OUTER	1
2	616050	INNER BOOM TUBE	1
3	616070	UNDERLIFT OUT TUBE	1
4	7216165	BOOM EXTENSION CYLINDER	1
5	63595	NYLATRON WEAR PAD 1/2 x 2 x 4	6
6	61602G	PIN 1.230 x 8.750	1
7	86125I	RETAINING RING 1.25 INTERNAL	4
8	63620	BOOM END SWIVEL	2
9	69140	PULLEY 7 INCH	2
10	61763	PULLEY BOLT	2
11	83812	NUT 1.125-12 NYLON LOCK	2
12	63530	CABLE FOLLOWER	2
13	86350E	RETAINING RING 3.50 EXTERNAL	2
14	616330L	TRUNNION BRACKET - LEFT	1
15	616330R	TRUNNION BRACKET - RIGHT	1
16	7216164	BOOM LIFT CYLINDER	2
17	7216161	UNDERLIFT TILT/FOLD CYLINDER	1
18	71115D	PLANETARY WINCH 15,000 LB.	2
19	A90210	CABLE TENSIONER PLATE	2
20	A90214	SPRING PLATE	2
21	A90215	MANDREL	2
22		TENSIONER TORSION SPRING LH	1
23		TENSIONER TORSION SPRING RH	1
24	61602F	PIN 1.230 x 11.438	1
25	86125E	RETAINING RING 1.25 EXTERNAL	2
26	63450	BOOM ANTLER	1
27	6160370	PIN 1.480 x 6.313	2
28	266035	PIN 1.480 x 8.188	2
29	616048	PIN 1.975 x 10.625	1
30	86200I	RETAINING RING 2.00 INTERNAL	6
31	63431	UHMW WEAR PAD 1/2 x 4 x 7.5	1
32	86910	CABLE TENSION SPRING	2
33	616049	PIN 1.975 x 12.938	1
34	616078	PIN 1.975 x 8.438	1
35	616079	PIN 1.230 x 9.125	1
36	81117	CAP SCREW 5/16 x 7/8	2
27	82130	FLAT WASHER 5/16	2

Section V - PARTS

1016 UNDERLIFT COMPONENTS



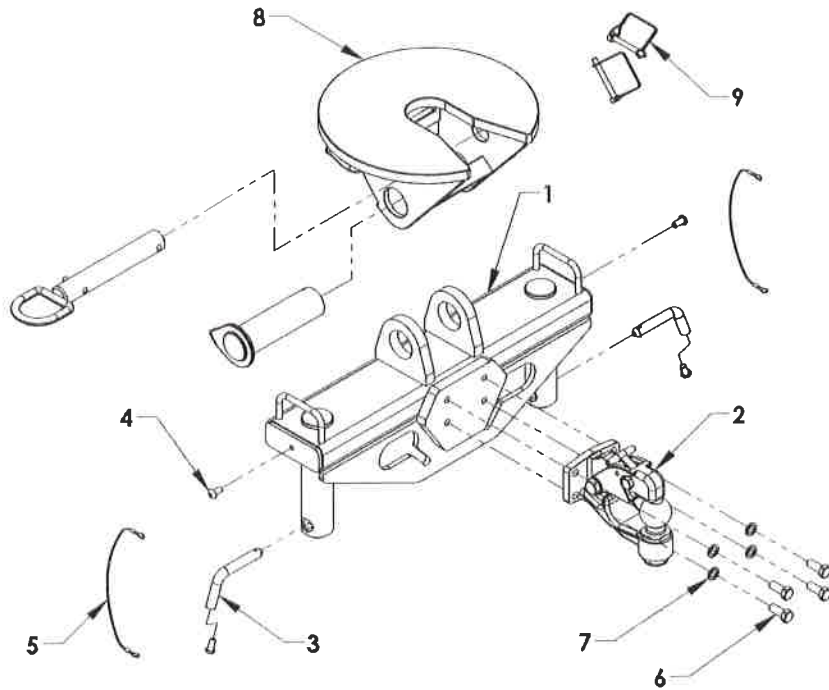
Section V - PARTS

1016 UNDERLIFT COMPONENTS

REF	PART #	DESCRIPTION	QPU
1	616080	INNERTUBE WELDMENT	1
2	7216163	WHEEL LIFT EXTENSION CYLINDER	1
3	61607A	GRAVEL GUARD	1
4	63595	WEAR PAD NYLATRON 1/2 x 2 x 4	2
5	66430	CROSSBAR PIVOT PIN	1
6	86200I	RETAINING RING 2 INCH INTERNAL	1
7	68321	PIN 1.230 x 6-5/8	1
8	86125I	RETAINING RING 1.25 INTERNAL	2
9	616090	CROSSBAR	1
10	6160950	CROSSBAR EXTENSION	2
11	68545	CROSSBAR EXTENSION PIN	2
12	68267L	WHEEL GRID - LEFT	1
13	68267R	WHEEL GRID - RIGHT	1
14	84922	T-PIN WITH LANYARD 3/4 x 3.50	2
15	66250L	LEFT L-ARM	1
16	66250R	RIGHT L-ARM	1
17	65245	REMOVABLE WHEEL PAN	2
18	84911	5/16 SAFETY SNAP PIN	2
19	65280A	RATCHET	2
20	65285	WHEEL STRAP	2
21	66320	SPRING SHACKLE ADAPTOR	2
22	84923	T-PIN 3/4 x 6.50	2
23	663545	4.5 INCH FRAME FORK	2
24	663530	3 INCH FRAME FORK	2
25	0803580	OFFSET FORK HOLDER - RIGHT	2
26	0803581	OFFSET FORK HOLDER - LEFT	2
27	66285P	T-HANDLE	2
28	66330	FORK HOLDER-ELEVATED	2
29	66A210R	CHAIN HOOK ADAPTER-RIGHT	1
30	66A210L	CHAIN HOOK ADAPTER-LEFT	1

Section V - PARTS

5TH WHEEL AND PINTLE HITCH GROUP



REF	PART #	DESCRIPTION	QPU
	663705G	PINTLE HITCH GROUP	1
1	663705W	PINTLE HITCH WELDMENT	1
2	A3020	TOW BALL PINTLE HITCH	1
3	66378	RETAINING PIN	2
4	812A6	3/8 x 5/8 BUTTON HEAD BOLT	4
5	5A220	LANYARD	2
6	81428	BOLT 1/2-13 x 1.25 GRADE 5 OR 8	4
7	82310	1/2 LOCK WASHER	4
8	66390	5TH WHEEL ASSEMBLY	1
9	84911	RETAINING PIN	2