

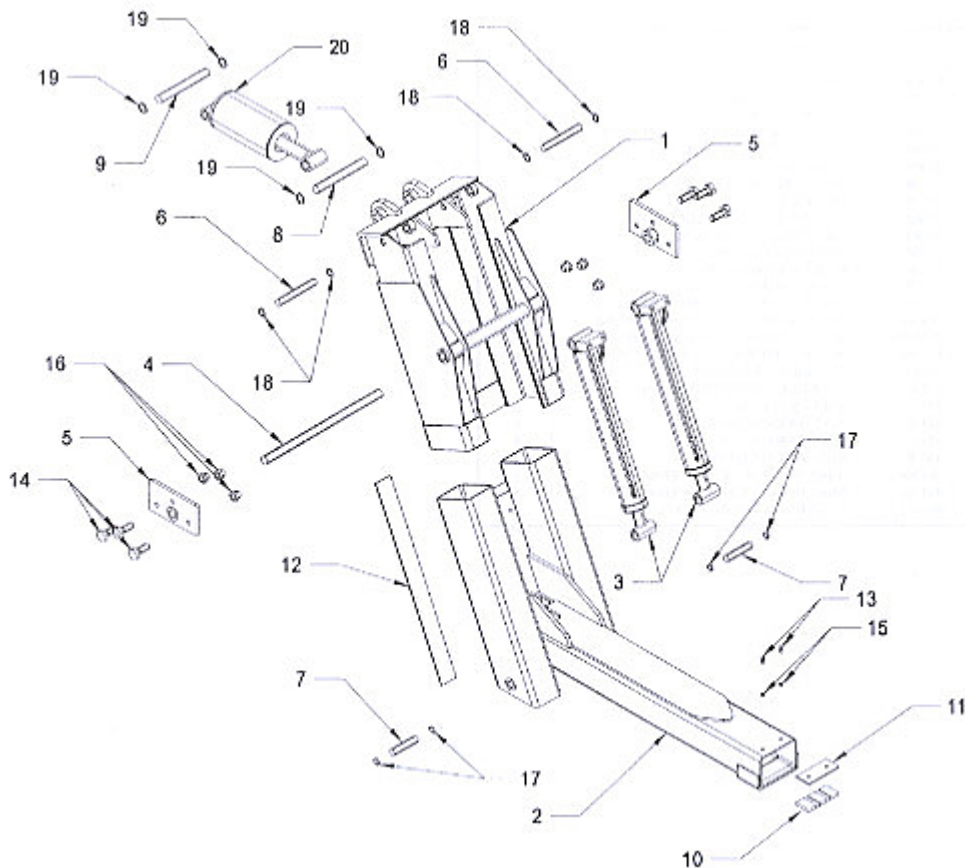


408,408A,410,410A,512 Series

# Parts

[Back to Manual Contents](#)

## 408 & 408A Underlift Components



ITEM	PART NUMBER	DESCRIPTION	NUMBER REQUIRED
1	657701	STANCHION	1
2	65780	OUTER BOOM - 408	1
-	65790	OUTER BOOM 408A	1
3	72190	LIFT CYLINDER	2
4	65709	PIVOT PIN - 1.230 x 22	1
5	65701	PIVOT MOUNTING BRACKET	2
6	65712	.980 x 7 SNAP-RING GROOVE ROD PIN	2
7	65714	.980 x 4-5/8 ROD PIN	2
8	65715	1.230 x 9-1/4 SNAP-RING GROOVE ROD PIN	1
9	65716	1.230 x 12-1/4 SNAP-RING GROOVE BASE PIN	1
10	65753	NYLATRON WEAR PAD 1/2 x 2-1/2	1
11	65759	SPACER SHIM PLATE - 408	1
-	65758	NYLATRON SHIM PAD - 408A	1
12	65779	1/4 x 2-11/6 PHENOLIC WEAR STRIP	4
13	812A5	BOLT 3/8 x 500 BUTTON HEAD ALLEN	2
14	81710	BOLT 7/8 x 2.250	6

15	82211	WASHER 3/8 I.D. X 9/16 O.D.	2
16	83611	NUT 7/8 NYLON LOCK	6
17	86100I-1	SNAP-RING 1" INTERNAL	4
18	86100E-1	SNAP-RING 1" EXTERNAL	4
19	86125E-1	SNAP-RING 1.25" EXTERNAL	4
20	72188	POWER TILT CYLINDER	1

*Committed to our customer's success! 800-886-6400*

Comments or questions on our web page - email: [webmaster@chevroninc.com](mailto:webmaster@chevroninc.com)  
Copyright © 2006 Chevron, Inc. All rights reserved.