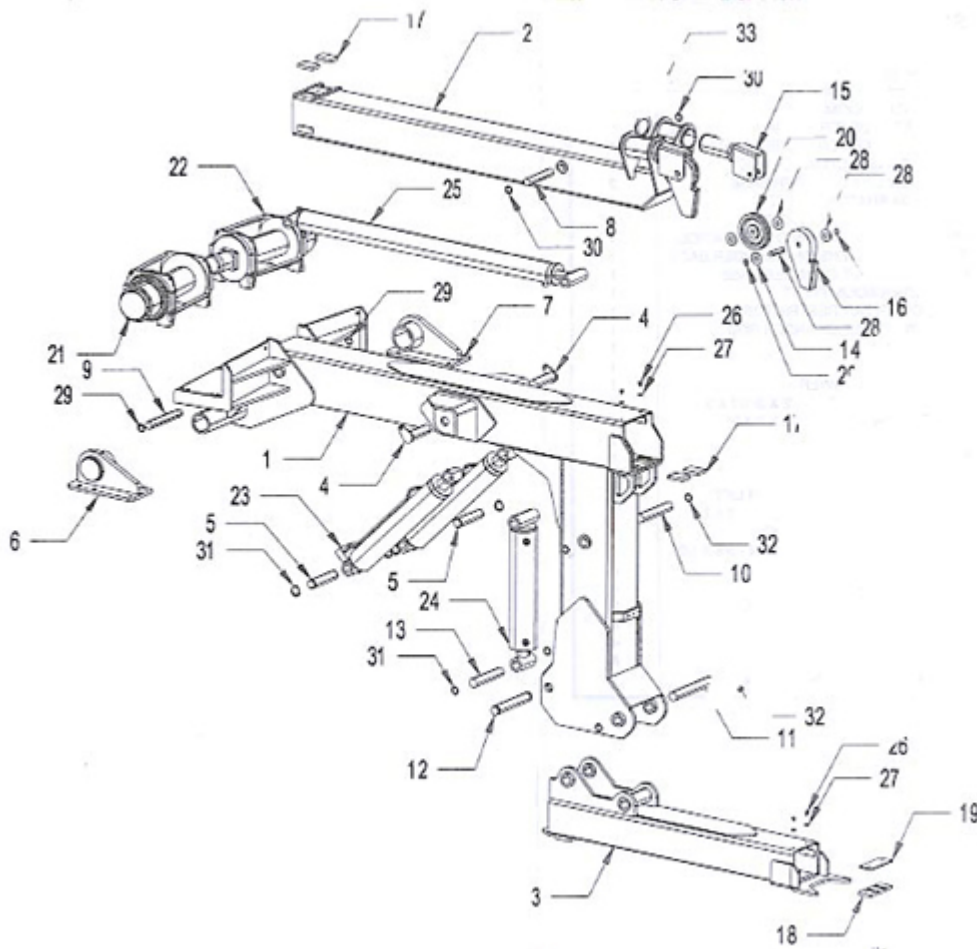


### 408T Integrated Boom Components Twin Line



ITEM	PART NUMBER	DESCRIPTION	NUMBER REQUIRED
1	611032	INTEGRATED BOOM	1
2	611052	INTEGRATED UPPER BOOM - TWIN LINE	1
3	611070	INTEGRATED OUTER LOWER BOOM	1
4	611240	PIN- BOOM LIFT CYLINDER ROD	2
5	611245	PIN - BOOM LIFT CYLINDER BASE	2
6	611330L	TRUNNION BRACKET - LEFT	1
7	611330R	TRUNNION BRACKET - RIGHT	1
8	611339	PIN - UPPER EXTENSION CYLINDER ROD	1
9	611340	PIN - UPPER EXTENSION CYLINDER BASE	1
10	611545	PIN - POWER TILT CYLINDER BASE	1
11	611620	PIN- OUTER BOOM PIVOT	1
12	611625	PIN- POWER TILT RESTRICTOR	1
13	611740	PIN - POWER TILT CYLINDER ROD	1
14	61364	PULLEY PIN	1
15	61366	SWIVEL INSERT	1

16	61370	WIRE ROPE FOLLOWER	1
17	61735	NYLATRON WEAR PAD 1/2 x 2-1/2 x 3	4
18	65753	NYLATRON WEAR PAD 1/2 x 2-1/2	1
19	65758	NYLATRON SPACER PAD	1
20	69120	PULLEY - 6"	1
21	71102L	WINCH - PLANETARY - LEFT	1
22	71102R	WINCH - PLANETARY - RIGHT	1
23	720112	CYLINDER INTEGRATED BOOM LIFT	2
24	720122	CYLINDER INTEGRATED POWER TILT	1
25	720122	CYLINDER UPPER EXTENSION	1
26	812A5	BOLT - SOCKET HEAD BUTTON - 3/8 x 1/2	2
27	82210	FLAT WASHER - 3/8	2
28	82510	FLAT WASHER - 3/4	4
29	86075E	SNAP-RING .75" EXTERNAL	2
30	86125I	SNAP-RING 1.75" INTERNAL	4
31	86150E	SNAP-RING 1.50" EXTERNAL	4
32	86150I	SNAP-RIG 1.50" INTERNAL	6
33	86287E	SNAP-RING 2.875" EXTERNAL	1

**EVERYTHING YOU NEED TO TOW, RIG, RECOVER & HAUL**