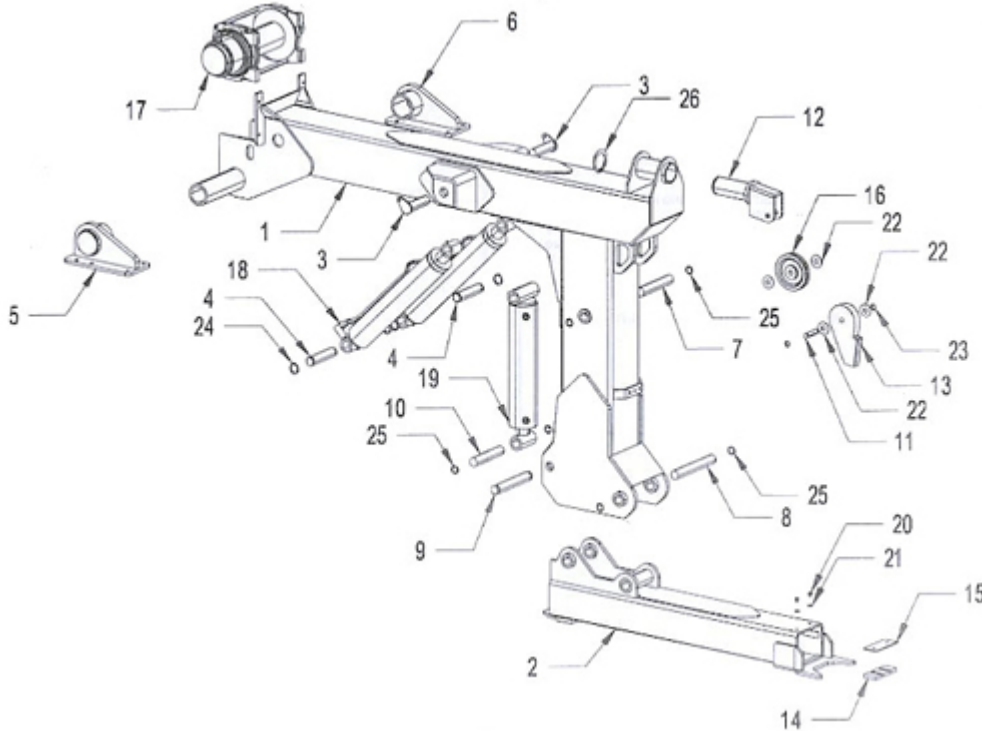


408V Integrated Boom Components Single Line



ITEM	PART NUMBER	DESCRIPTION	NUMBER REQUIRED
1	611021	INTEGRATED BOOM	1
2	611070	INTEGRATED OUTER LOWER BOOM	1
3	611240	PIN- BOOM LIFT CYLINDER ROD	2
4	611245	PIN - BOOM LIFT CYLINDER BASE	2
5	611330L	TRUNNION BRACKET - LEFT	1
6	611330R	TRUNNION BRACKET - RIGHT	1
7	611545	PIN - POWER TILT CYLINDER BASE	1
8	611620	PIN- OUTER BOOM PIVOT	1
9	611625	PIN- POWER TILT RESTRICTOR	1
10	611740	PIN - POWER TILT CYLINDER ROD	1
11	61364	PULLEY PIN	1
12	61366	SWIVEL INSERT	1
13	61370	WIRE ROPE FOLLOWER	1
14	65753	NYLATRON WEAR PAD 1/2 x 2-1/2	1
15	65758	NYLATRON SPACER PAD	1
16	69120	PULLEY - 6"	1
17	71102L	WINCH - PLANETARY - LEFT	1
18	720112	CYLINDER INTEGRATED BOOM LIFT	2
19	720122	CYLINDER INTEGRATED POWER TILT	1
20	812A5	BOLT - SOCKET HEAD BUTTON - 3/8 x 1/2	2
21	82210	FLAT WASHER - 3/8	2

22	82510	FLAT WASHER - 3/4	4
23	86075E	SNAP-RING .75" EXTERNAL	2
24	86150E	SNAP-RING 1.50" INTERNAL	4
25	86150I	SNAP-RIG 1.50" INTERNAL	6
26	86287E	SNAP-RING 2.875" EXTERNAL	1

EVERYTHING YOU NEED TO TOW, RIG, RECOVER & HAUL