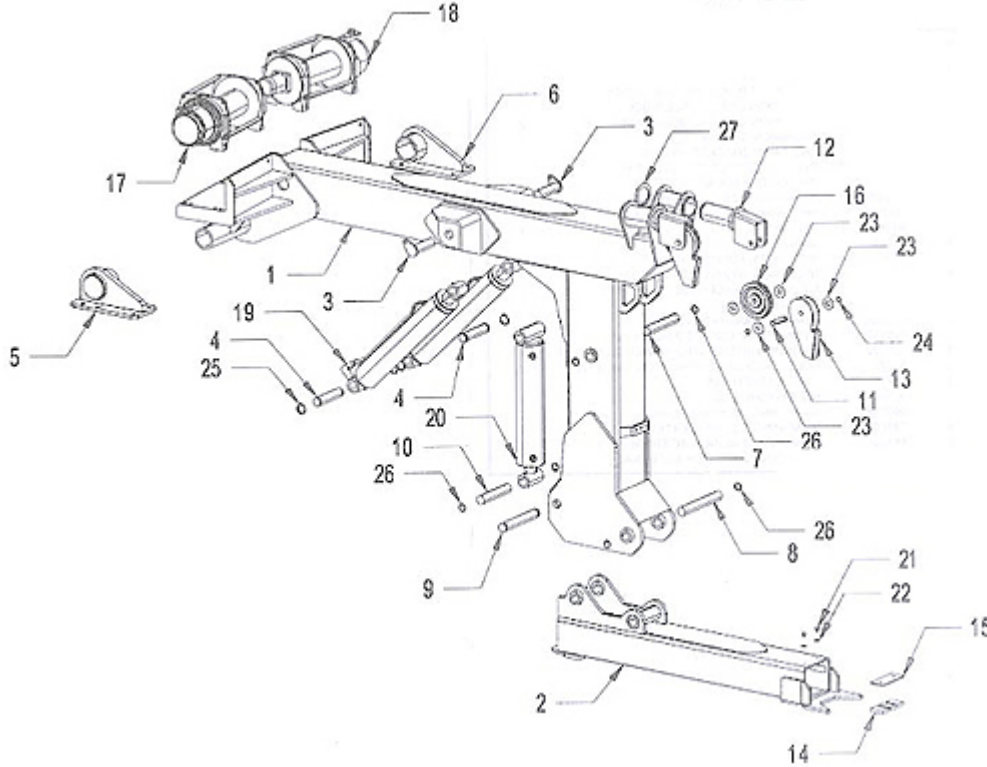


408V Integrated Boom Components Twin Line



ITEM	PART NUMBER	DESCRIPTION	NUMBER REQUIRED
1	6I1022	INTEGRATED BOOM	1
2	6I1070	INTEGRATED OUTER LOWER BOOM	1
3	6I1240	PIN- BOOM LIFT CYLINDER ROD	2
4	6I1245	PIN - BOOM LIFT CYLINDER BASE	2
5	6I1330L	TRUNNION BRACKET - LEFT	1
6	6I1330R	TRUNNION BRACKET - RIGHT	1
7	6I1545	PIN - POWER TILT CYLINDER BASE	1
8	6I1620	PIN- OUTER BOOM PIVOT	1
9	6I1625	PIN- POWER TILT RESTRICTOR	1
10	6I1740	PIN - POWER TILT CYLINDER ROD	1
11	6I364	PULLEY PIN	2
12	6I366	SWIVEL INSERT	2
13	6I370	WIRE ROPE FOLLOWER	2
14	65753	NYLATRON WEAR PAD 1/2 x 2-1/2	1
15	65758	NYLATRON SPACER PAD	1
16	69120	PULLEY - 6"	2
17	71102L	WINCH - PLANETARY - LEFT	1
18	71102R	WINCH - PLANETARY - RIGHT	1
19	720112	CYLINDER INTEGRATED BOOM LIFT	2
20	720122	CYLINDER UPPER EXTENSION	1

21	812A5	BOLT - SOCKET HEAD BUTTON - 3/8 x 1/2	2
22	82210	FLAT WASHER - 3/8	2
23	82510	FLAT WASHER - 3/4	8
24	86075E	SNAP-RING .75" EXTERNAL	4
25	86150E	SNAP-RING 1.50" EXTERNAL	4
26	86150I	SNAP-RIG 1.50" INTERNAL	6
27	86287E	SNAP-RING 2.875" EXTERNAL	2

EVERYTHING YOU NEED TO TOW, RIG, RECOVER & HAUL