

Section V - PARTS

This Section is provided by the manufacturer for the purpose of ordering any component part of the **Chevron Outlaw Wrecker** that may be required when part replacement is necessary. Be certain to use only original equipment replacement parts for warranty purposes as well as for keeping your **Chevron Outlaw Wrecker** in its original state and optimum operating capacities.

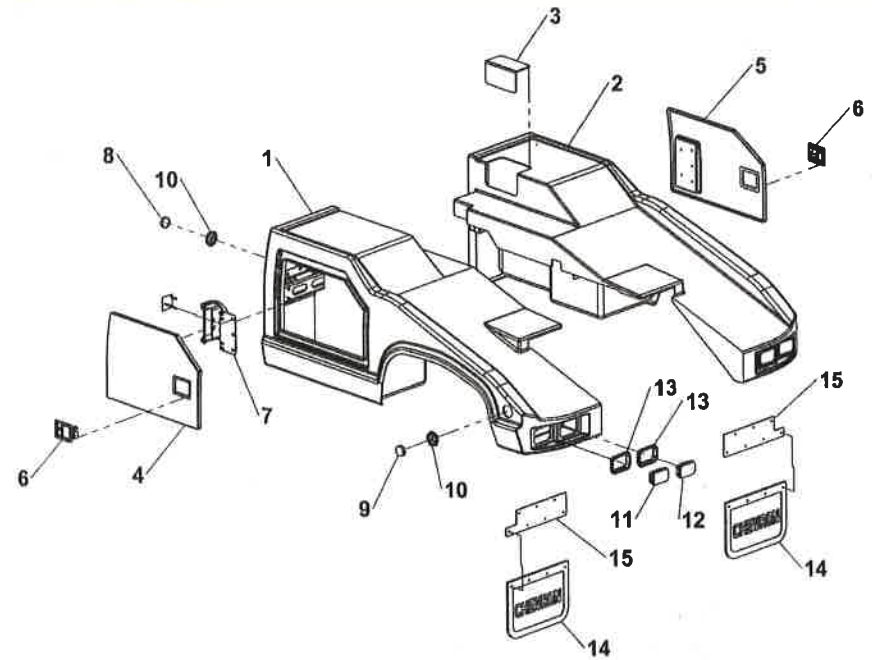
When ordering replacement or spare parts be sure to provide the following information to the manufacturer's **Parts Department**.

1. **Manual Number & Date of Publication**
2. **Manual Page Number**
3. **Page Title**
4. **Reference Number of Part Desired**
5. **Part Number**
6. **Part Description**
7. **Quantity of Part Desired**

Providing this information will help ensure that the correct parts will be delivered to you in an expedient manner without delay. Should additional information be required for repair or replacement of certain components, contact your Wrecker Manufacturer Authorized Representative.

The Manufacturer reserves the right, without notice or obligation, to improve or modify their products, which may change the specifications, models and feature availability.

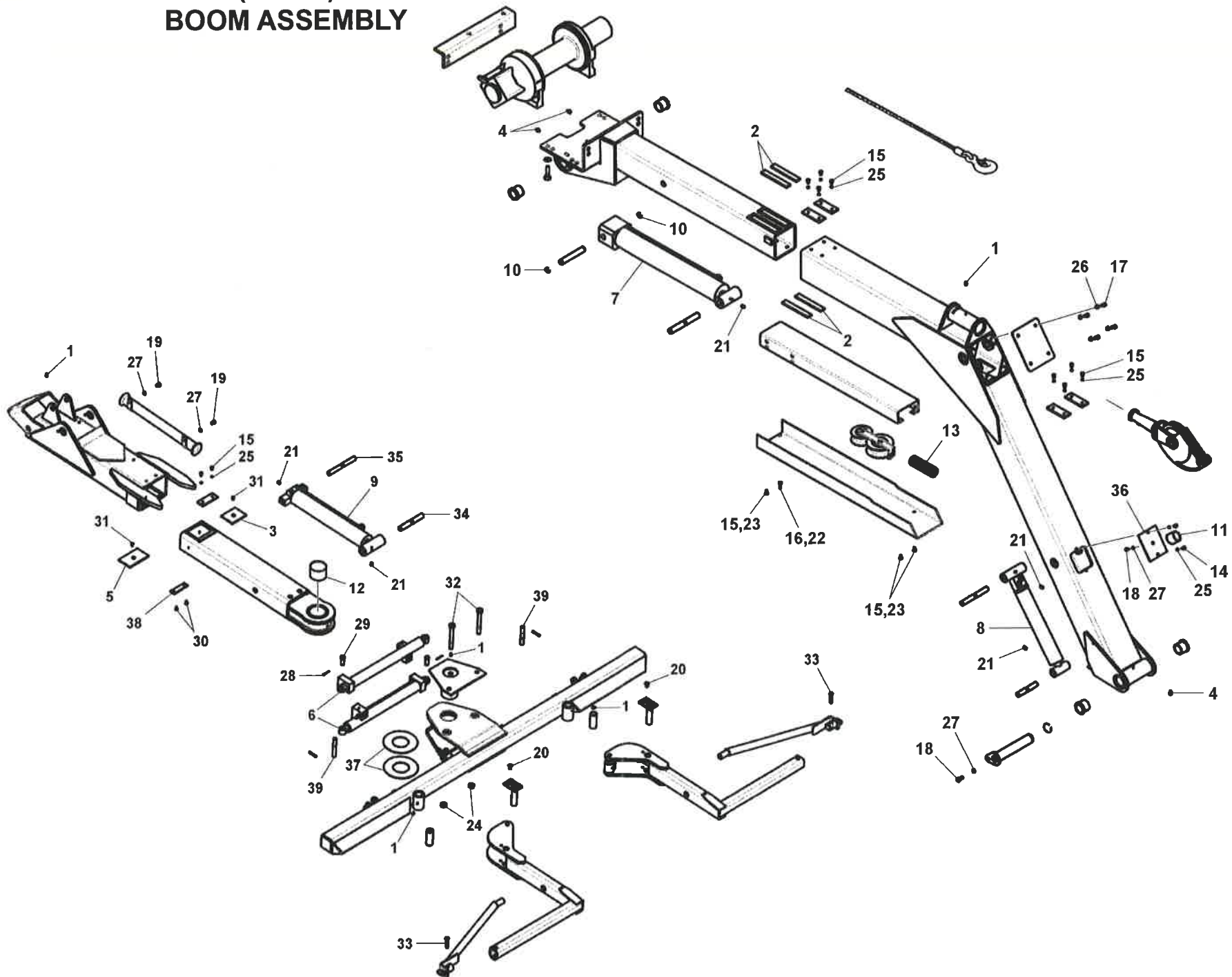
Section V - PARTS (cont'd) COMPOSITE SIDES



REF NO.	QPU	PART NUMBER	DESCRIPTION
1	1	5432360L	COMPOSITE SIDE - LEFT
2	1	5432360R	COMPOSITE SIDE - RIGHT
3	1	543290	FILTER ACCESS PANEL
4	1	5432660L	DOOR - LEFT
5	1	5432660R	DOOR - RIGHT
6	2	54958	PADDLE LATCH
7	2	543270	DOOR HINGE ASSEMBLY
8	2	93100A	ROUND MARKER LIGHT - AMBER
9	2	93100R	ROUND MARKER LIGHT - RED
10	4	93150	ROUND MARKER LIGHT GROMMET
11	2	96500	STOP, TAIL, TURN SIGNAL LIGHT
12	2	95500	BACKUP LIGHT
13	4	96550	TAIL LIGHT GROMMET
14	2	A1040	MUDFLAP
15	2	53184	MUDFLAP MOUNTING BRACKET

Section V - PARTS (cont'd)

BOOM ASSEMBLY



Section V - PARTS (cont'd)
BOOM ASSEMBLY (cont'd)

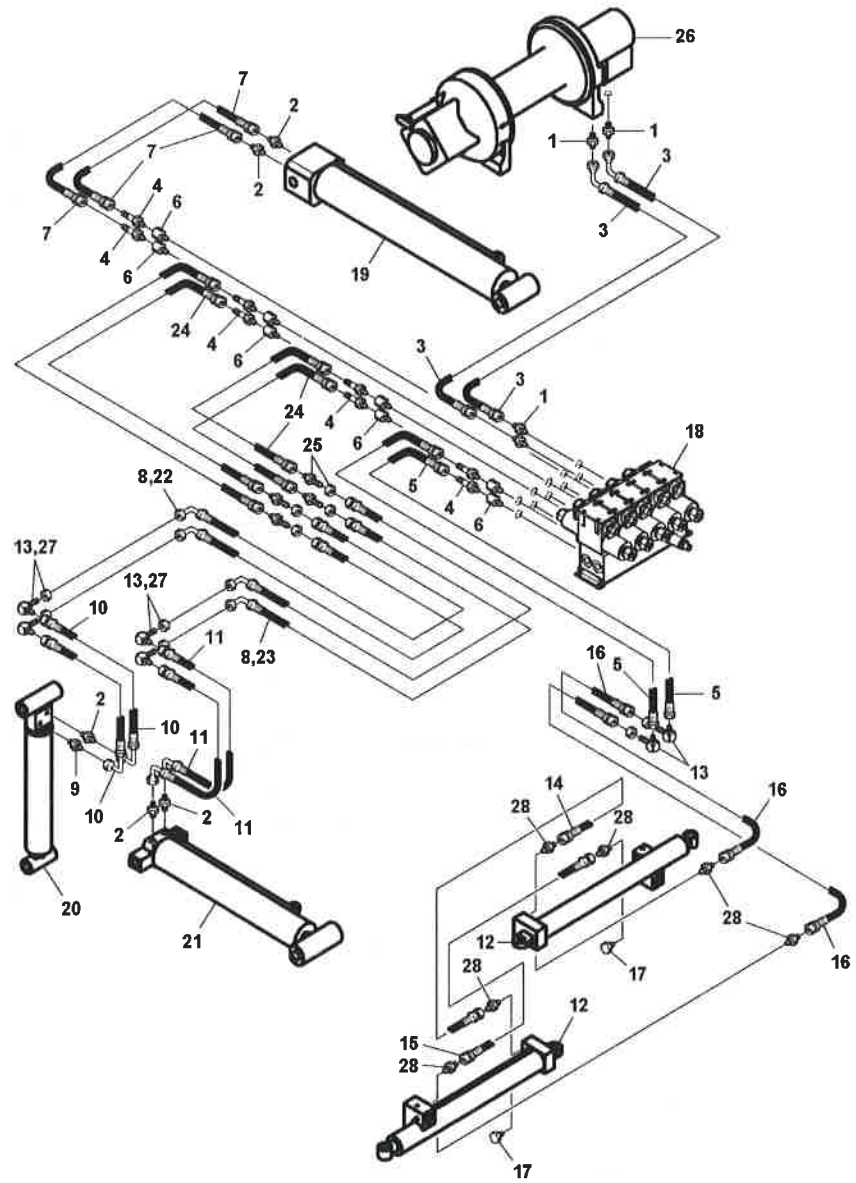
REF NO.	QPU	PART NUMBER	DESCRIPTION
1	5	0300113	GREASE FITTING, 1/4"-28
2	4	0300679	BEARING PAD, BOOM
3	1	0301850	SLIDE PAD, NYLATRON
4	3	0301895	GREASE FITTING, 1/8"
5	1	0303018	SLIDE PAD, NYLATRON
6	2	0303844	CYLINDER, SWING L-ARM
7	1	0306658	CYLINDER, BOOM ELEVATION
8	1	0306659	CYLINDER, WHEEL LIFT FOLD
9	1	0306660	CYLINDER, WHEEL LIFT EXTEND
10	1	0306689	SNAP RING, 7/8" EXT
11	1	0306688	SPRING, TIMBREN 2-7/8"
12	1	0306748	BUSHING, ALUMINUM BRONZE
13	1	0306816	SPRING, HOSE TENSION
14	2	0400059	SCREW, 1/4"-20 X 5/8" HEX HD CAP
15	16	0400060	SCREW, 1/4"-20 X 1/2" HEX HD CAP
16	1	0400066	SCREW, 1/4"-20 X 3/4" HEX HD CAP
17	5	0400118	SCREW, 5/16"-18 X 3/4" HEX HD CAP
18	2	0400141	SCREW, 3/8"-16 X 7/8" HEX HD CAP
19	2	0400154	SCREW, 3/8"-16 X 1/2" HEX HD CAP
20	2	0400349	SCREW, 3/8"-16 X 3/4" FL SKT HD
21	5	0400353	SCREW, 3/8" X 1/2" ALLEN HD SET
22	1	0400367	NUT, 1/4"-20 HEX NYLOK
23	3	0400369	NUT, 1/4" "J" TINNEMAN
24	2	0400428	NUT, 5/8"-11 HEX FLEXLOC
25	12	0400452	LOCKWASHER, 1/4" HELICAL
26	5	0400464	LOCKWASHER, 5/16" HELICAL SS
27	3	0400482	LOCKWASHER, 3/8" HELICAL SS
28	2	0400546	COTTER PIN, 1/8" X 1-1/4"
29	2	0400590	CLEVIS PIN, 5/8" X 1-1/4"
30	2	0400593	SCREW, 1/4"-20 X 1/2" SKT FL HD
31	2	0400596	SCREW, 1/4"-20 X 1/2" SKT BUTTON HD
32	2	0400637	BOLT, PIVOT PIN
33	2	0701956	SCREW, 1/2"-13 X 1" HEX HD CAP
34	1	0702131	SHAFT, INNER TUBE CYLINDER
35	1	0703345	SHAFT, EXTEND CYLINDER
36	1	0708519	PLATE, COVER-BOOM UPPER
37	2	0710092	THRUST WASHER
38	1	0711334	STOP PAD
39	2	0713885	CYLINDER PIN, L-ARM END
40	5	0715553	PLATE, OUTER W/L BOOM STOP
41	1	0715827	PLATE, BOOM END COVER
42	1	0715884	PIN, BOOM ELEVATION CYL @ INNER BOOM
43	1	0715885	PIN, BOOM ELEVATION CYL @ OUTER BOOM
44	1	0715886	PIN, FOLD CYL @ TOWER
45	1	0715888	PIN, FOLD CYL @ U/L

Section V - PARTS (cont'd)
BOOM ASSEMBLY (cont'd)

REF NO.	QPU	PART NUMBER	DESCRIPTION
46	1	0716053	COVER, HOSE TRACK
47	1	0803911	L-ARM WELDMENT, LEFT
48	1	0803912	L-ARM WELDMENT, RIGHT
49	2	0803915	PIN WELDMENT, SWING L-ARM
50	1	0803916	PIVOT PIN WELDMENT
51	1	0803917	CROSSBAR WELDMENT
52	2	0803949	TIRE ADAPTER WELDMENT
53	1	0804382	OUTER MAIN BOOM/TOWER WELDMENT
54	1	0804383	INNER MAIN BOOM WELDMENT
55	1	0804384	OUTER UNDERLIFT BOOM WELDMENT
56	1	0804385	INNER UNDERLIFT BOOM WELDMENT
57	1	0804416	PIN WELDMENT - W/L PIVOT
58	1	0804425	HOSE PULLEY WELDMENT
59	1	0804436	CHANNEL WELDMENT, HOSE TRACK
60	1	0804484	HOSE TUBE WELDMENT
61	4	9053713	FLANGE BEARING
62	1	9056150	RETAINING RING, 1-1/2"
63	2	E300002	BEARING
64	2	HD0106	SPRING PIN, 1/4" X 1-3/4"
65	2	0906401	TIE DOWN STRAP ASSEMBLY (NOT SHOWN)
--	1	0306724	STRAP, 8' WITH SLEEVE AND HOOK
--	1	0306729	RATCHET ASSEMBLY WITH HOOK
--	--	--	401 ONLY
66	1	0300219	WIRE ROPE, 3/8X6X19 IPS
67	1	0306884	WINCH, 8K PLANETARY
68	8	0400177	SCREW, 1/2"-13 X 1-1/4" HEX HD CAP
69	8	0400491	LOCKWASHER, 1/2" HELICAL
70	1	0906598	UNIVERSAL BOOM END SWIVEL
71	1	174007111	LEVEL WINDER (NOT SHOWN)
72	1	814174501	TENSIONER MOUNTING ANGLE

Section V - PARTS (cont'd)

BOOM HYDRAULICS



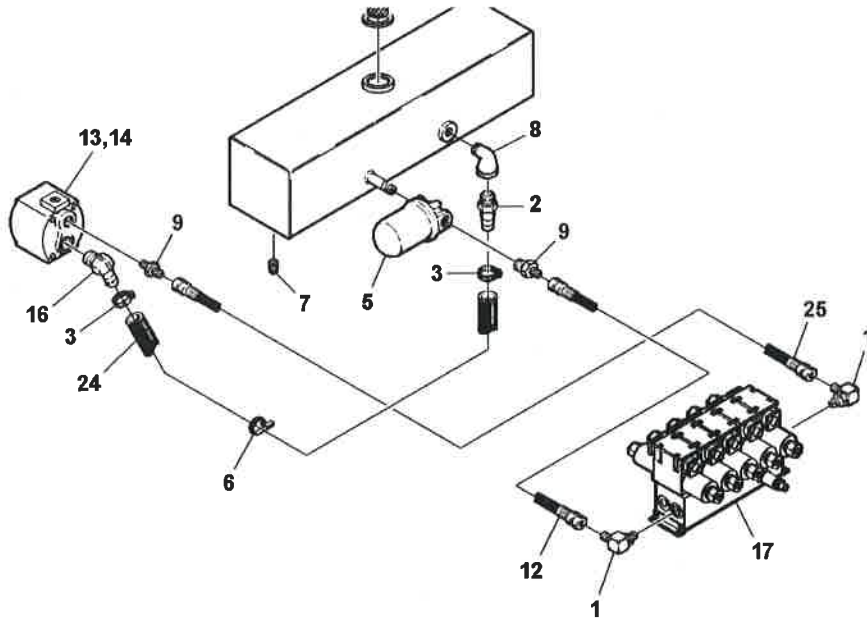
Section VI - PARTS (cont'd)

BOOM HYDRAULICS

REF NO.	QPU	PART NUMBER	DESCRIPTION
1	4	0300041	CONNECTOR, 8MJ-8MB (401 ONLY)
2	5	0301522	CONNECTOR, 6MJ-6MB
3	2	0301893	HOSE ASSEMBLY, 84" (401 ONLY)
4	8	0302510	CONNECTOR, 6MJ-6MBL
5	2	0302531	HOSE ASSEMBLY, 75"
6	8	0303017	CONNECTOR, 8MB-6FB
7	2	0303188	HOSE ASSEMBLY, 75"
8	4 FT.	0303193	SKUFF JACKET, BLACK
9	1	0303671	ORIFICE FITTING, 6MJ-6MB-1/32
10	2	0306781	HOSE ASSEMBLY, 67"
11	2	0306782	HOSE ASSEMBLY, 102-1/2"
12	2	0303844	CYLINDER, SWING L-ARM
13	6	0303858	ELBOW, 4MJ-BULKHEAD 90 W/ NUT
14	1	0303860	HOSE ASSEMBLY, 10-3/4"
15	1	0303861	HOSE ASSEMBLY, 17"
16	2	0303862	HOSE ASSEMBLY, 112"
17	2	0303886	PLUG, 4MB
18	1	0306657	SOLENOID VAVLE, 5 SPOOL (401)
	1		SOLENOID VAVLE, 4 SPOOL (400 NO WINCH)
19	1	0306658	CYLINDER, BOOM ELEVATION
20	1	0306659	CYLINDER, WHEEL LIFT FOLD
21	1	0306660	CYLINDER, WHEEL LIFT EXTEND
22	2	0306763	HOSE ASSEMBLY, 48"
23	2	0306801	HOSE ASSEMBLY, 52"
24	4	0306814	HOSE ASSEMBLY, 60"
25	4	0306817	BULKHEAD UNION W/ NUT
26	1	0306884	WINCH, 8K PLANETARY (401 ONLY)
27	4	0400487	LOCKWASHER, 7/16" HELICAL
28	6	HC-1291	CONNECTOR, 4MJ-4MB

Section VI - PARTS (cont'd)

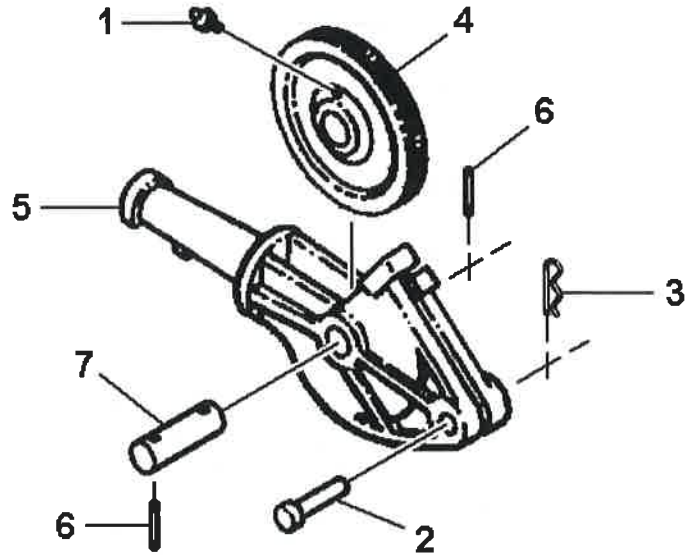
PUMP, VALVE AND FILTER HYDRAULICS



Section V - PARTS (cont'd)
PUMP, VALVE AND FILTER HYDRAULICS

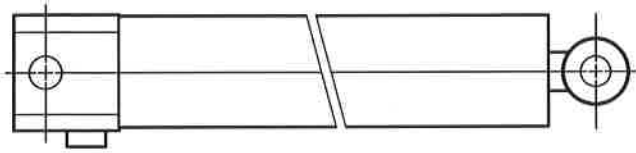
REF NO.	QPU	PART NUMBER	DESCRIPTION
1	2	0300052	ELBOW, 8MJ-10MB90
2	1	0300056	BARB, 16C4-16MP
3	3	0300071	HOSE CLAMP, 1"
4	5	0300132	CABLE TIE, 15-1/4"
5	1	0300136	RETURN LINE FILTER ASSEMBLY
6	1	0300188	HOSE CLAMP, 1-1/2" INSULATED
7	1	0300446	PIPE PLUG, 3/4" MALE
8	1	0300692	STREET ELBOW, 1" 90°
9	2	0301391	CONNECTOR, 8MJ-12MP
10	3	0301601	HOSE CLAMP, 5/8" INSULATED
11	8 FT.	0301672	SKUFF JACKET, 1-1/2" DIA BLACK
12	1	0302304	HOSE ASSEMBLY, 42"
13	1	0303524	HYDRAULIC CLUTCH PUMP
14	1	0303525	CLUTCH PUMP MOUNTING KIT
15	1	0305006	FILLER CAP ASSEMBLY
16	1	0306541	BARB, 16C4-20MP45
17	1	0306657	SOLENOID VAVLE, 5 SPOOL (401)
	1		SOLENOID VAVLE, 4 SPOOL (400 NO WINCH)
18	1	0306715	5 SWITCH REMOTE ASSEMBLY (401)
	1	0303923	4 SWITCH REMOTE ASSEMBLY (400 NO WINCH)
19	1	0306889	GROUND HARNESS, 10 WIRE
20	6	0400045	SCREW, #10-32 X 1/2" RD HD PHILLIPS
21	4	0400070	SCREW, 1/4"-20 X 1" HEX HD CAP
22	4	0400367	NUT, 1/4"-20 HEX NYLOK
23	8	0400451	WASHER, 1/4" FLAT
24	1	0702540	SUCTION HOSE, 1" X 12 FT.
25	1	12833018	HOSE ASSEMBLY, 185"

Section V - PARTS (cont'd)
BOOM SWIVEL ASSEMBLY

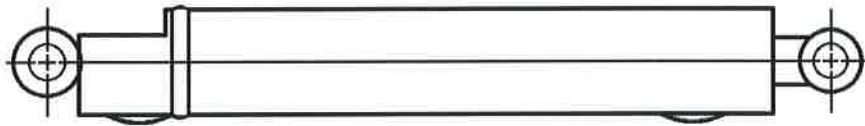


REF. NO.	NO. REQ'D	PART NUMBER	DESCRIPTION
5	1	0300113	GREASE FITTING, 1/4"-28 STR
6	1	0306886	CLEVIS PIN, 1/2" S.S.
7	2	0306887	HAIRPIN, 1-15/16"
3	1	1046E	BOOM SHEAVE WHEEL
4	1	ZZ20E	YOKE, BOOM SHEAVE
1	2	ZZ31	ROLL PIN, 3/16" X 2"
2	1	ZZ53	SHEAVE SHAFT

Section V - PARTS (cont'd)
HYDRAULIC CYLINDERS

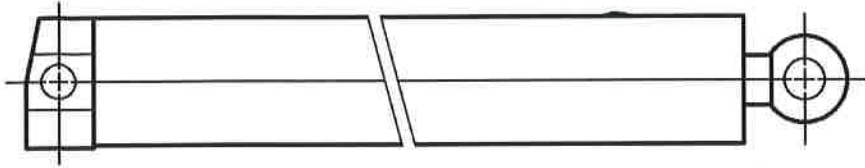


REF. NO.	NO. REQ'D	PART NUMBER	DESCRIPTION
1	1	0306658	BOOM ELEVATION CYLINDER

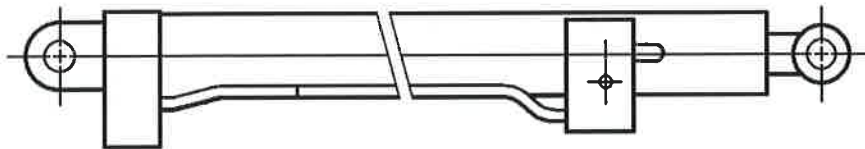


REF. NO.	NO. REQ'D	PART NUMBER	DESCRIPTION
1	1	0306659	WHEEL LIFT FOLD CYLINDER

Section V - PARTS (cont'd)
HYDRAULIC CYLINDERS



REF. NO.	NO. REQ'D	PART NUMBER	DESCRIPTION
1	1	0306660	WHEEL LIFT EXTEND CYLINDER



REF. NO.	NO. REQ'D	PART NUMBER	DESCRIPTION
1	1	0303844	SWING L-ARM CYLINDER (COMPLETE)