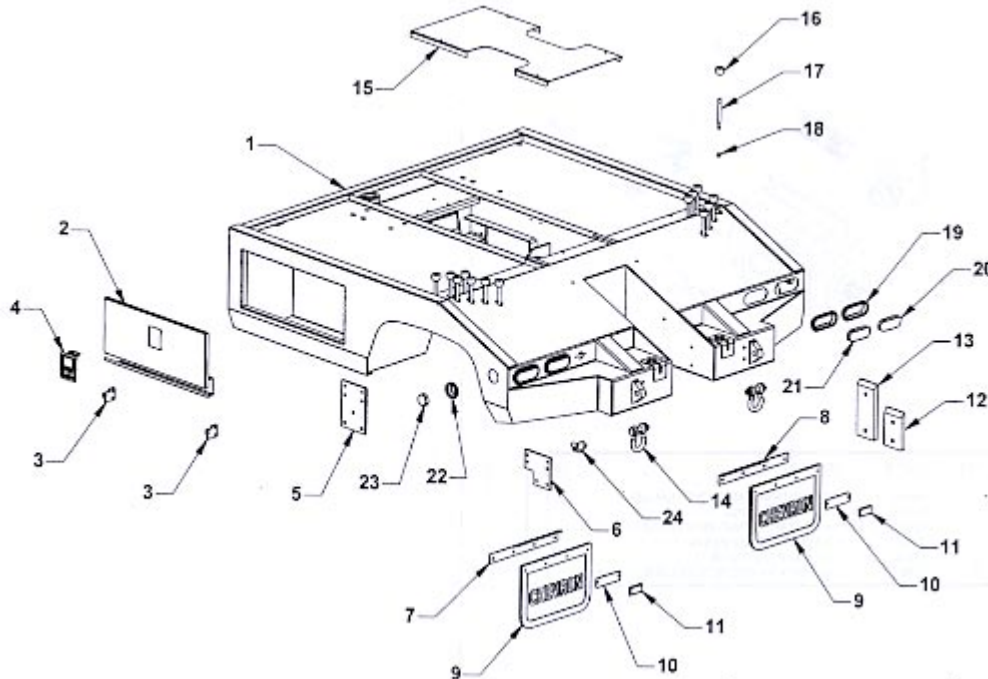


408V & 408T body Components



ITEM	PART NUMBER	DESCRIPTION	NUMBER REQUIRED
1	5033V	INTEGRATED WRECKER BODY	1
2	5A300	TOOL BOX DOOR	2
3	5A316	TOOL BOX DOOR WELDMENT BLOCK	4
4	54658	ROTARY PADDLE LATCH #3	2
5	53263	FRONT MOUNTING BRACKET	2
6	532501	MIDDLE BODY MOUNTING BRACKET	2
7	53182L	MUDFLAP MOUNTING BRACKET - LEFT	1
8	53182R	MUDFLAP MOUNTING BRACKET - RIGHT	1
9	A1040	MUDFLAP	2
10	59115	REAR REFLECTOR MOUNTING PLATE	2
11	93300R	REFLECTOR - RED	2
12	59320	UHHW WEAR PAD	2
13	59319	UHHW WEAR PAD	2
14	84716	6-1/2 TON SHACKLE W/NUT & BOLT	2
15	54312	ACCESS COVER	1
16	7A211	CONTROL KNOB	14
17	7A168	CONTROL HANDLE	14
18	83320	NUT 1/2-20 UNF	14
19	92650	TAILLIGHT GROMMET	4
20	92600R	TAILLIGHT	2
21	95600	BACKUP LIGHT	2
22	93150	MARKER LIGHT GROMMET	2
23	93100R	RED MAKER LIGHT	2
24	98400	TOW LIGHT PLUG	1

EVERYTHING YOU NEED TO TOW, RIG, RECOVER & HAUL