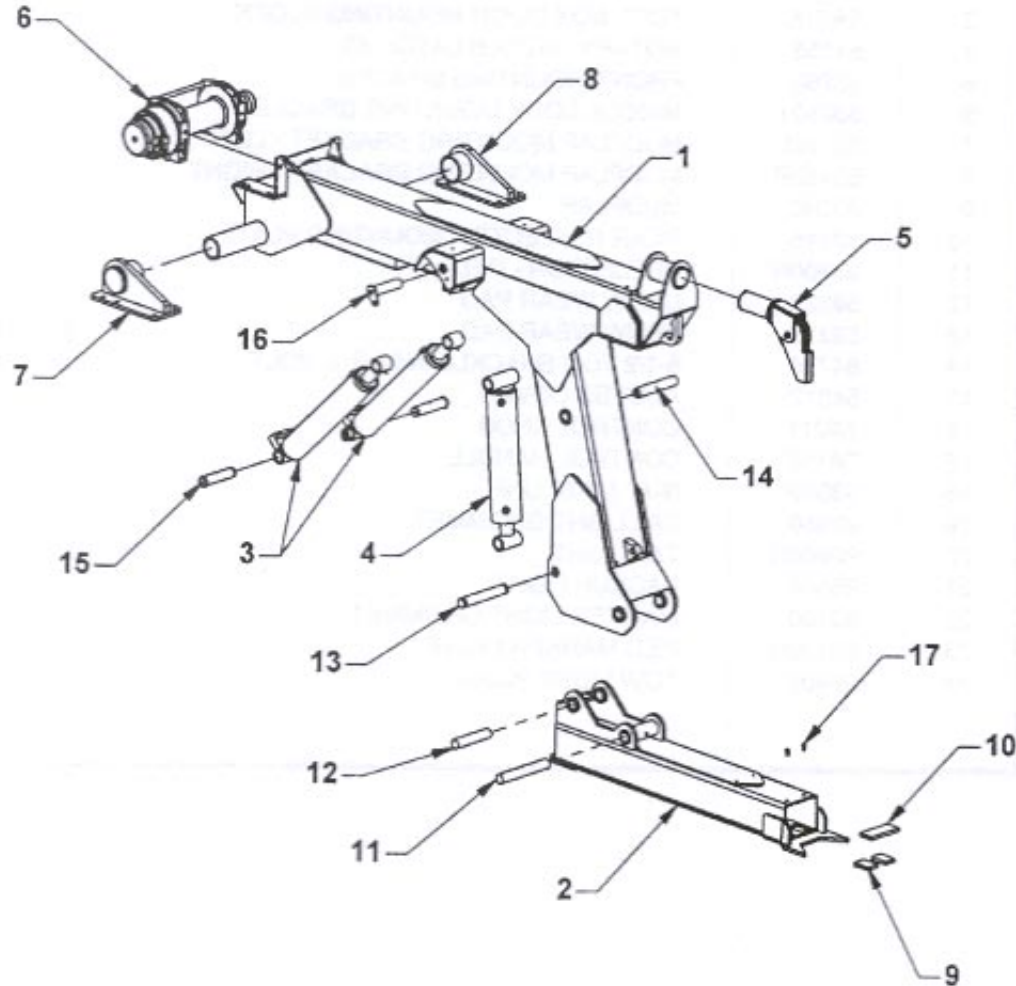


## 408V Integrated Boom Components - Single Line



ITEM	PART NUMBER	DESCRIPTION	NUMBER REQUIRED
1	611023	INTEGRATED BOOM	1
2	611071	UNDERLIFT OUTER TUBE - AUTOGRIP	1
-	611072	UNDERLIFT OUTER TUBE - CONVENTIONAL	1
3	720112	BOOM LIFT CYLINDER	2
4	720122	UNDERLIFT TILT/FOLD CYLINDER	1
5	61366G	BOOM END SWIVEL GROUP	2
6	71102L	PLANETARY WINCH - LEFT	1
7	611330L	TRUNNION BRACKET - LEFT	1
8	611330R	TRUNNION BRACKET - RIGHT	1
9	65612	NYLATRON WEAR PAD 1/2 x 2 x 4	2
10	65121	UHMW WEAR PAD 12 x 2-1/2 x 6	1
11	611620	UNDERLIFT PIVOT PIN 1.480 x 10	1
-	861501	SNAP RING 1.50 INTERNAL	2
12	611740	UNDERLIFT TILT PIN 1.480 x 8.125	1
-	861501	SNAP RING 1.50 INTERNAL	2
13	611625	UNDERLIFT LEVELER PIN 1.480 x 8.25	1
14	611545	UNDERLIFT TILT PIN 1.480 x 8.125	2
-	861501	SNAP RING 1.50 INTERNAL	2
15	611245	BOOM LIFT CYLINDER PIN	2
-	86150E	SNAP RING 1.50 HEAVY DUTY EXTERNAL	2

16	811240	BOOM LIFT CYLINDER PIN	2
17	812A5	BUTTON HEAD BOLT 3/8 x 3/4 COARSE THREAD	2

**EVERYTHING YOU NEED TO TOW, RIG, RECOVER & HAUL**