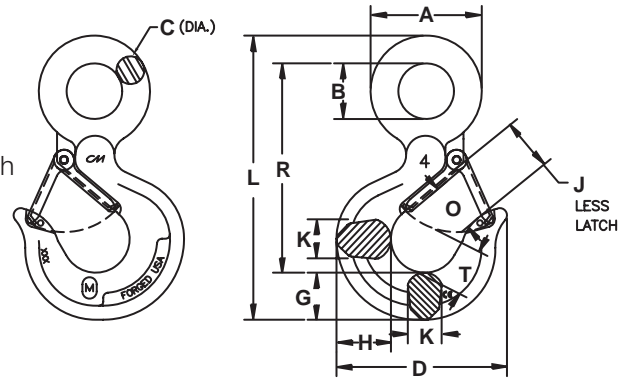


## Rigging Hook



- Built in distortion detectors
- Load rating marked on each hook body
- Proof load 2 times WLL
- Design factor 5:1
- Pre-drilled latch tab allows addition of latch
- Carbon hooks have a clear protective coating to resist rust and for cleaner handling (use suffix "C" when ordering carbon clear finish, use suffix "G" when ordering hot dip galvanized)

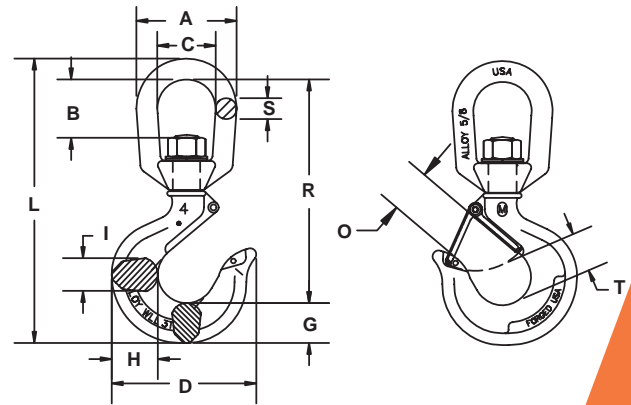


Alloy			Carbon			Dimensions												Weight
WLL	Product Code w/o latch	Product Code w/ latch	WLL	Product Code w/o latch	Product Code w/ latch	A	B	C	D	G	H	J	K	L	O	R	T	
<b>Imperial</b>																		
ton			ton			in.	in.	in.	in.	in.	in.	in.	in.	in.	in.	in.	in.	lb.
1	M6402A	M6502A	3/4	M6402C	M6502C	1.50	0.75	0.38	3.06	0.87	1.05	0.93	0.63	4.37	0.93	3.13	0.87	0.66
1-1/2	M6403A	M6503A	1	M6403C	M6503C	1.75	0.88	0.44	3.33	0.94	1.11	0.97	0.71	5.04	0.97	3.66	0.97	1.12
2	M6404A	M6504A	1-1/2	M6404C	M6504C	2.13	1.13	0.50	3.67	1.06	1.21	1.06	0.88	5.63	1.06	4.09	1.03	1.46
3	M6405A	M6505A	2	M6405C	M6505C	2.50	1.25	0.63	4.20	1.27	1.43	1.19	0.94	6.55	1.16	4.67	1.16	2.42
5	M6407A	M6507A	3	M6407C	M6507C	3.06	1.56	0.75	5.11	1.44	1.63	1.50	1.31	7.97	1.41	5.78	1.53	4.10
7	M6409A	M6509A	5	M6409C	M6509C	3.88	2.00	0.94	6.24	1.82	2.01	1.78	1.68	10.07	1.69	7.31	1.94	8.16
11	M6411A	M6511A	7-1/2	M6411C	M6511C	4.69	2.44	1.13	7.89	2.25	2.63	2.38	1.88	12.41	2.19	9.03	2.52	15.60
15	M6415A	M6515A	10	M6415C	M6515C	5.34	2.84	1.25	8.37	2.59	2.94	2.50	2.19	14.05	2.30	10.21	2.54	21.58
22	M6422A	M6522A	15	M6422C	M6522C	6.63	3.50	1.56	10.19	3.00	3.50	3.30	2.69	17.37	3.12	12.81	2.73	39.89

## Swivel Rigging Hook



- Design factor 5:1
- Pre-drilled for latches
- Hook and latch assemblies furnished separately
- Painted orange
- Carbon swivel hooks are technically advanced Micro-alloy which requires no secondary heat treat
- Alloy swivel hooks are heat treated quenched and tempered



Alloy			Carbon			Dimensions												Weight
WLL	Product Code w/o latch	Product Code w/ latch	WLL	Product Code w/o latch	Product Code w/ latch	A	B	C	D	G	H	I	L	R	S	T	O	
<b>Imperial</b>																		
ton			ton			in.	in.	in.	in.	in.	in.	in.	in.	in.	in.	in.	in.	lb.
1	M3402A	M3502A	3/4	M3402C	M3502C	2.00	1.11	1.25	3.06	0.87	1.05	0.63	5.83	4.63	0.38	0.87	0.93	1.05
1-1/2	M3403A	M3503A	1	M3403C	M3503C	2.50	1.38	1.50	3.33	0.94	1.11	0.71	6.83	5.44	0.50	0.97	0.97	1.56
2	M3404A	M3504A	1-1/2	M3404C	M3504C	3.00	1.65	1.75	3.67	1.06	1.21	0.88	7.76	6.25	0.63	1.03	1.06	2.50
3	M3405A	M3505A	2	M3405C	M3505C	3.00	1.65	1.75	4.20	1.27	1.43	0.94	8.40	6.49	0.063	1.16	1.16	3.20
5	M3407A	M3507A	3	M3407C	M3507C	3.50	1.77	2.00	5.11	1.44	1.63	1.31	9.76	7.53	0.75	1.53	1.41	5.36
7	M3409A	M3509A	5	M3409C	M3509C	4.75	2.39	2.75	6.24	1.82	2.01	1.68	12.42	9.67	1.00	1.94	1.69	10.56
11	M3411A	M3511A	7-1/2	M3411C	M3511C	5.50	2.55	3.25	7.69	2.25	2.63	1.88	14.89	12.06	1.13	2.46	2.22	19.00
15	M3415A	M3515A	10	M3415C	M3515C	6.00	2.47	3.50	8.37	2.59	2.94	2.19	15.79	11.95	1.25	2.62	2.23	26.75
22	M3422A	M3522A	15	M3422C	M3522C	7.75	3.82	4.75	10.19	3.00	3.50	2.69	21.18	16.68	1.50	2.74	3.05	51.80