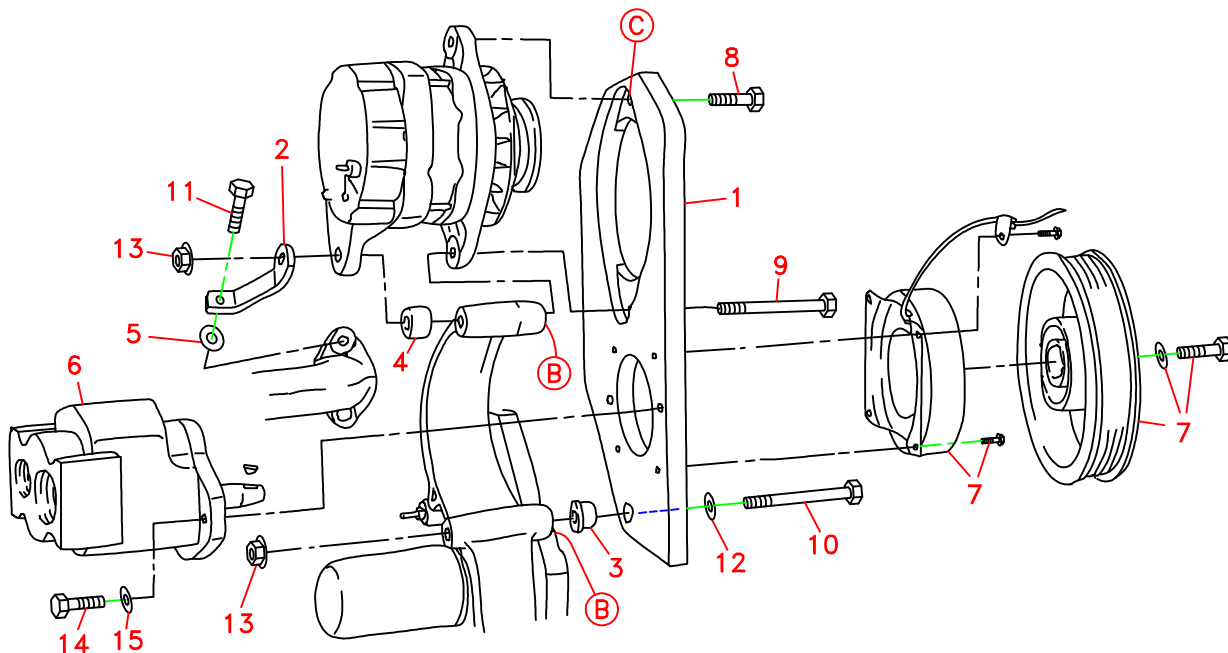


711120	Bracket Assy. (Inc. items 1, 2)		Kit No.	700322
711119	Bracket Bolt Pkg. (Inc. items 3-5, 8-13)		Make	International
None	Pulley Bolt Pkg.		Engine	DT466E
None	Idler Bolt Pkg.		Fuel	Diesel
None	Fan Spacer Bolt Pkg.		Year	1997
			Equipment	Turbo
			Revised	A 8-26-97

ITEM	PART #	DESCRIPTION			
1.	711117	Pump mounting plate	9.	110563	1/2NC x 7 Grade 8 Bolt
2.	711118	Rear brace	10.	110222	1/2NC x 6 Grade 8 Bolt
3.	711121	Spacer w/shoulder .930"	11.	110480	12mm x 45mm Bolt
4.	711122	Spacer .615"	12.	110658	1/2 Flat washer
5.	711123	Spacer .150"	13.	110615	1/2NC Lock nut
6.	*	Pump	14.	110425	3/8NC x 1 1/4 Bolt
7.	740148	Clutch	15.	110672	3/8 Lock washer
8.	110429	1/2NC x 1 1/2 Bolt	16.	740246	Belt/Micro-V K080825

* See Master List For Pump Part No.

FIG. 1

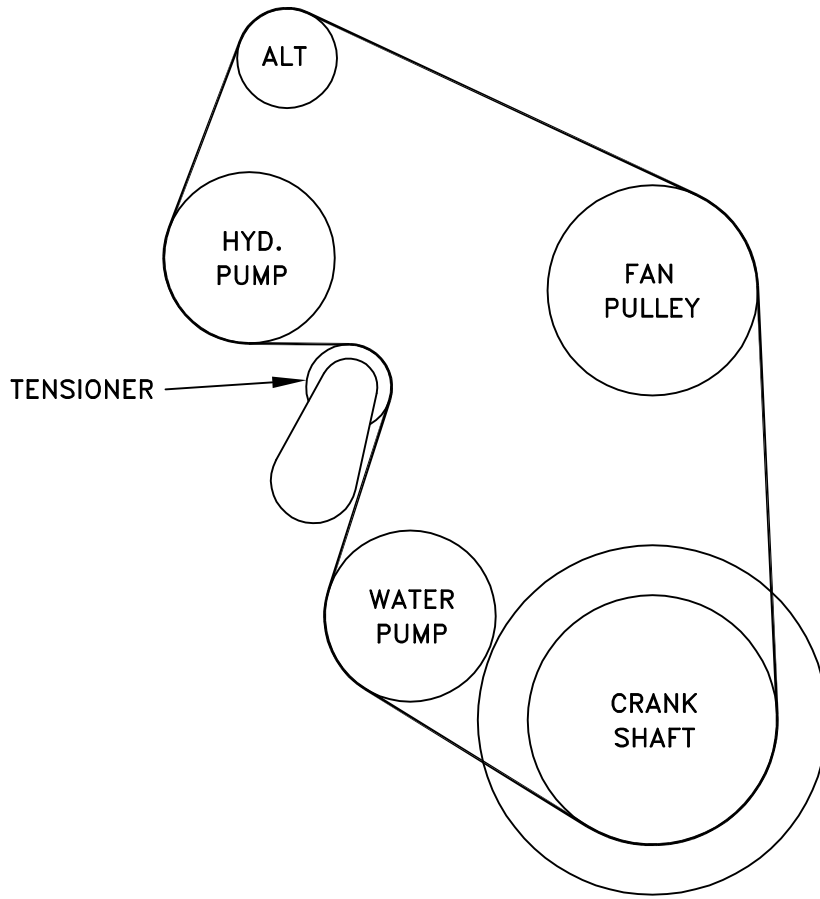


(A)(B)(C)... Denotes bolt holes in engine to locate corresponding holes in Pump Brkt.

FIG. 2

700322

BELT ROUTING



DewEze

Clutch Pump Kit
#700322
International
DT466E
Serpentine In-line
1997

I N S T A L L A T I O N I N S T R U C T I O N S

NOTE: Suction hose to pump must be a wire braid hose; minimum 1" I.D. for 7 & 9 GPM pumps, 1 1/4" I.D. for 12 & 17 GPM pumps. Installations with smaller suction hoses will void the pump warranty.

1. Disconnect battery.
2. Remove OEM accessory drive belt and A/C belt if equipped.
3. Remove OEM hose support bracket from top of alternator.
4. Disconnect wires from back of alternator.
5. Remove alternator from factory position.
6. Mount pump (6) to pump plate (1) with 3/8 x 1 1/4 bolts (14) and 3/8 flat washer (15). Position pump so suction (large) port is toward outside (right) of truck.
7. Place pump plate with pump onto original alternator bracket at location A using .930" spacer (3) with 1/2 x 6 GR 8 bolt (10) and 1/2 flat washer (12). Do not tighten.
8. Place alternator at top of pump plate using .615" spacer (4) and 1/2 x 7 GR 8 bolt (9) at location B and 1/2 x 1 1/2 GR 8 bolt (8) at location C. Do not tighten.
9. Remove top OEM bolt at location D from front of exhaust manifold. Install brace (2) at location D placing .150" spacer (5) between brace and manifold and inserting 12mm x 45mm bolt (11). Thread 1/2 lock nut (13) on back of 1/2 x 7 bolt through bottom of alternator.
10. Tighten all bolts and nuts.
11. Install clutch coil (7) onto front of pump plate using four wiz flanges supplied with clutch. Install clutch pulley (7) onto pump shaft using bolt and washer supplied with clutch.
12. Install belt (16). Refer to Figure 2 for routing.
13. Reconnect wires to back of alternator. Reconnect battery.
14. Secure hoses that were held by the OEM bracket that was removed in item 3 to convenient location.
15. Install OEM A/C belt.
16. Run the engine and check for any clearance or alignment problems. Adjust as needed.