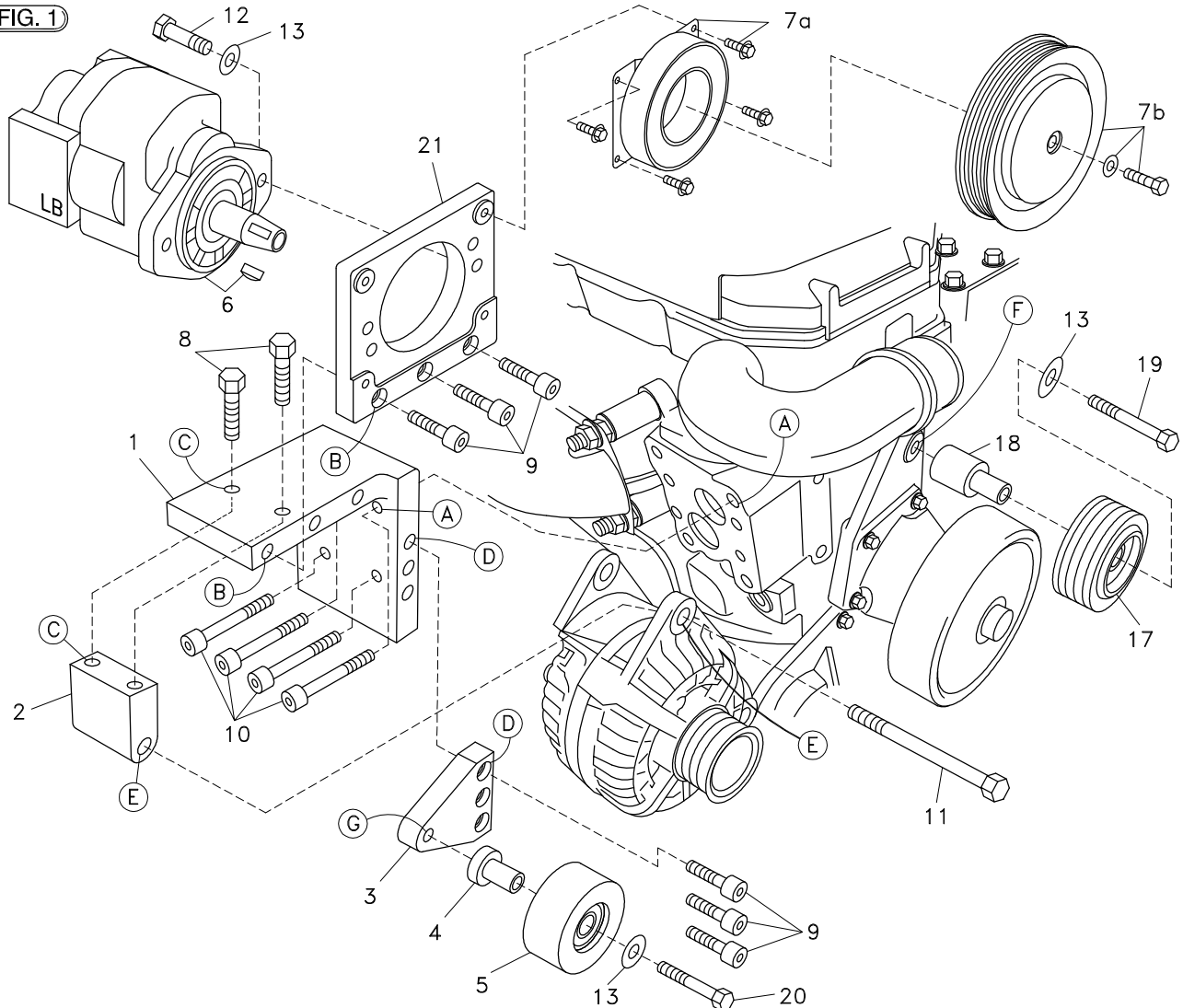


Bracket Assy.	711439	(Inc. items 1-3, 23)
Bolt Packages:		
Bracket	711444	(Inc. items 8-10)
Pulley	None	
Idler, flat	711450	(Inc. items 4, 13, 20)
Idler, serp.	711451	(Inc. items 13, 18, 19)
Tensioner	None	

Make	Dodge
Engine	5.9L
Fuel	Diesel
Year	2003-
Equipment	Turbo, A/C
Revised	C 12-19-06

Item	Part No.	Description
1.	711440	Engine bracket
2.	711441	Alternator bracket
3.	711442	Idler bracket
4.	711443	Idler bushing, 1.275"
5.	740242	Idler pulley, flat
6.	*	Pump
7.	740148	Clutch
8.	110435	3/8-16 x 1 1/2 Bolt
9.	110465	3/8-16 x 1 1/4 Socket head bolt
10.	110176	M10 x 35 x 1.5 Socket head bolt
11.	OEM	Bolt
12.	110425	3/8-16 x 1 1/4 Bolt
13.	110676	3/8 Flat washer
14.	120354	Elbow
15.	711452	1/2" Hose, 2.00" long
16.	OEM	Air Filter Restriction Indicator
17.	740143	Idler pulley, 8-Rib
18.	711449	Idler bushing, 2.225"
19.	110262	M10 x 75 x 1.5 Bolt
20.	110544	7/16-14 x 2 Bolt
21.	710936	Pump plate
22.	-----	
23.	711657	Bracket, fan shroud support
24.	110486	M8 x 1.25 x 30 Bolt
25.	110260	M8 x 1.25 x 25 Bolt
26.	110141	M8 x 1.25 Wiz flange nut
27.	110069	5/16-18 Flat washer
28.	740360	Belt, Poly-Cog 1490K8

FIG. 1



(A),(B),(C)... Denotes bolt holes in engine to locate corresponding holes in Pump Brkt.

FIG. 2

AIR FILTER RESTRICTION INDICATOR RELOCATION

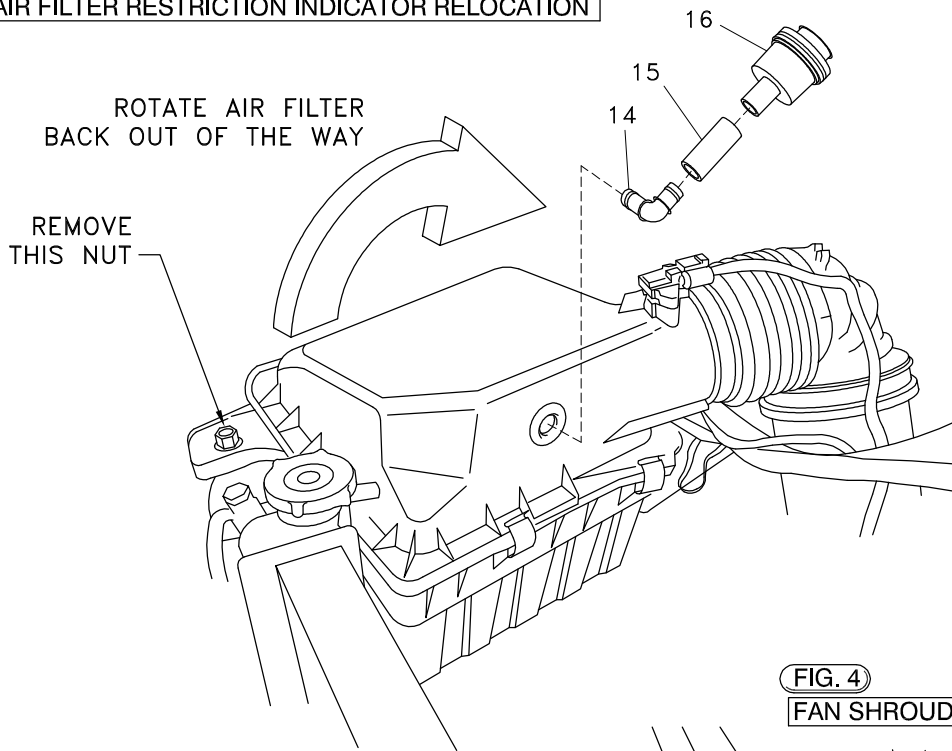


FIG. 4

FAN SHROUD SUPPORT

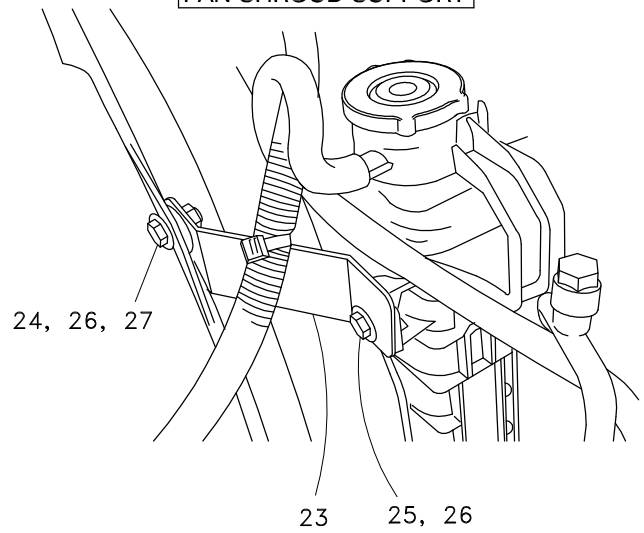
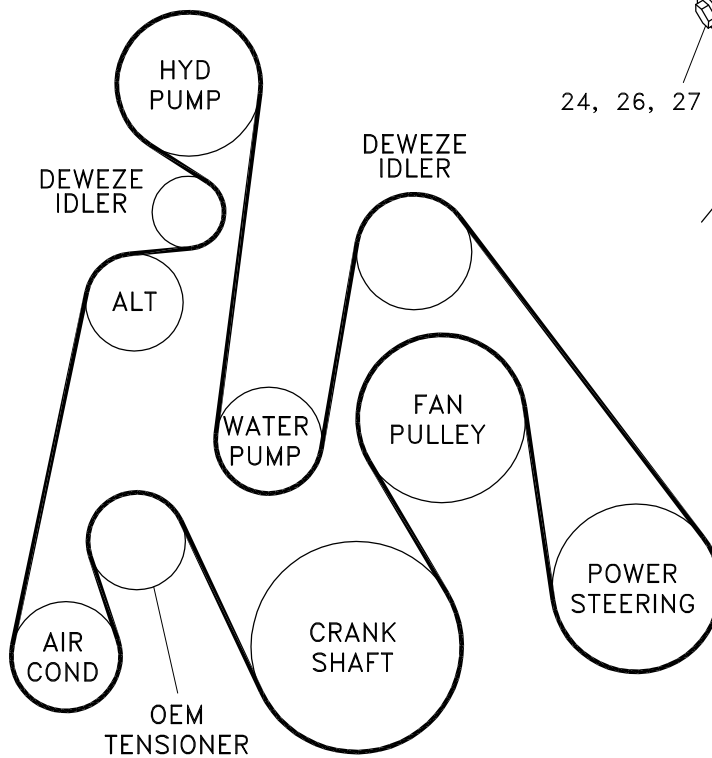


FIG. 3

BELT DIAGRAM



DewEze

Clutch Pump Kit

Clutch Pump Kit
700401
Dodge 5.9
Diesel
With A/C
2003-

INSTALLATION INSTRUCTIONS

1. Disconnect the battery.
2. Remove the nut holding the front of the air filter housing. Lay the housing back out of the way. See Fig. 2.
3. Remove the OEM fan shroud support bracket from the front of the engine. Replace it with the flat support bracket (23) in the kit. Attach with M8 x 25 bolt (25) and 5/16" flat washer (27) into radiator. Insert the M8 x 30 bolt (24) into the 5/16" flat washer (27), through the hole in the shroud, through the bracket, and into the M8 nut (26).
4. Remove the OEM belt.
5. Remove the top alternator bolt. Loosen the bottom alternator bolt and pivot the alternator out away from the engine.
6. Remove the top alternator bracket and the lifting lug.
7. Remove the OEM top idler at Location F. Insert the long idler bushing (18) into the serpentine idler (17). Mount the idler to the engine with a M10 x 75 bolt (19) with a 3/8 flat washer (13) using Loctite®.
8. Mount the engine bracket (1) to the engine at Location A with four M10 x 35 bolts (10). Attach the top alternator bracket (2) to the underside of the engine bracket at Location C with two 3/8 x 1 1/2 bolts (8). Attach the top of the alternator to the alternator bracket at Location E with the OEM bolt (11).
9. Insert the short idler bushing (4) into the flat idler (5). Mount the idler to the idler bracket (3) at Location G with the 7/16 x 2 bolt (20) and 3/8 flat washer (13). Attach the idler bracket to the engine bracket at Location D with three 3/8 x 1 1/4 socket head bolts (9).
10. Mount the pump (6) to the back of the pump plate (21) with two 3/8 x 1 1/4 bolts (12) and two 3/8 flat washers (13). Bolt the pump plate with pump to the engine bracket with three 3/8 x 1 1/4 socket head bolts.
11. Mount the clutch coil (7a) to the pump bracket with four 1/4 x 1/2 flange bolts (7b). Mount the clutch pulley (7c) to the pump shaft with the 5/16 x 1 1/4 bolt (7d) and heavy flat washer (7e) making sure the key is in place on the shaft.
12. Install the belt (23) as shown in the diagram (Fig. 3).
13. Lay the air filter housing down to its original position. Replace and tighten the OEM nut holding the air filter. Pull the OEM air filter restriction indicator (16) out from the air filter housing (Fig. 2). Push the plastic elbow (14) into one end of the 1/2" hose (15) and the indicator into the other end of the hose. Insert the plastic elbow into that hole in the housing pointing it to the rear.
14. Reconnect the battery.
15. Run the engine and check for any clearance or alignment problems. Adjust as needed.