

FIG. 2

COMPONENT PLACEMENT AND MODIFICATION

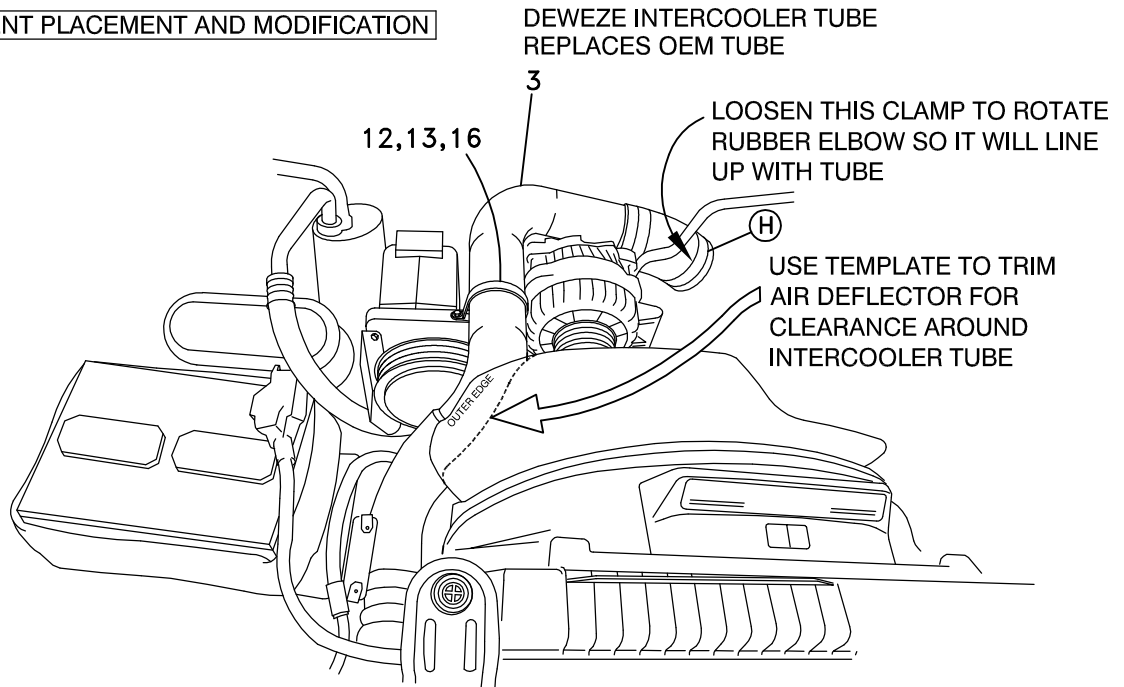


FIG. 3

BELT DIAGRAM

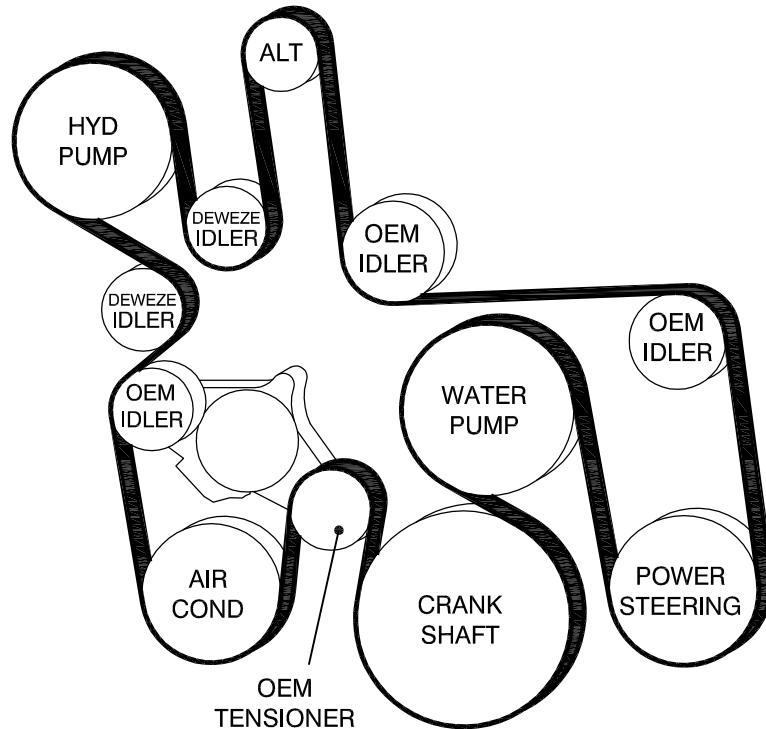
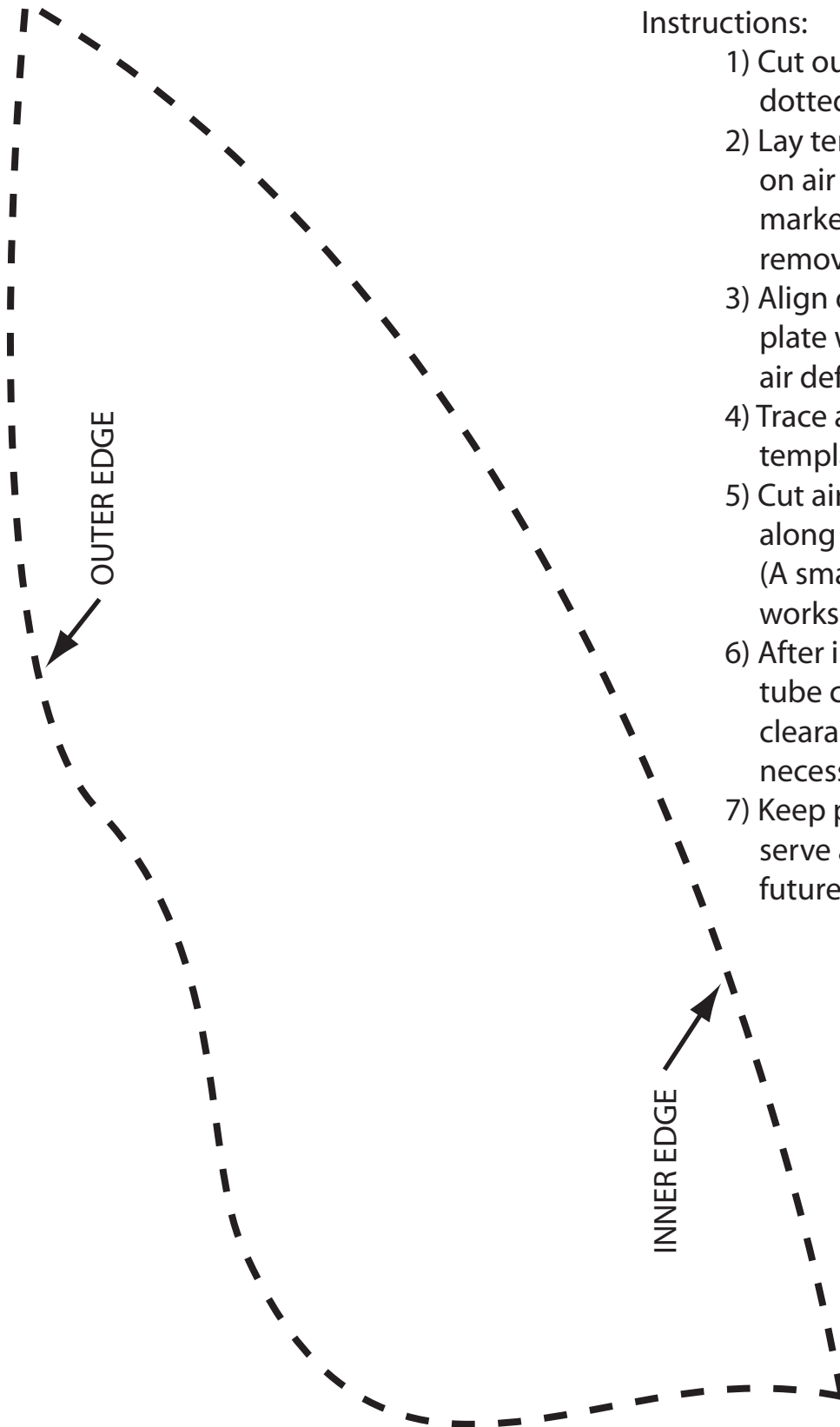


FIG. 4 TEMPLATE - FOR REMOVING CORNER OF AIR DEFLECTOR SHIELD
ON A FORD 6.0L DIESEL



Instructions:

- 1) Cut out template along dotted lines.
- 2) Lay template over area on air deflector shield marked in Figure 2 for removal.
- 3) Align outer edge of template with outer edge of air deflector shield.
- 4) Trace along inner edge of template with a marker.
- 5) Cut air deflector shield along the traced line. (A small cut-off wheel works well.)
- 6) After installing intercooler tube check for adequate clearance. Trim further if necessary.
- 7) Keep plastic cut-out to serve as a template on future installs.