

Ford, 6.8L:G, 2008+, w/Spider Kit, A Pump, 12, 17 GPM, Rear Port

Bolt Packages:

Bracket	711894 (Inc. Items 10-13, 20, 25, 26)
Idler pulley	711895 (Inc. Items 9, 10, 14)
Pulley	None
Tensioner	None

Issue Date	8-30-07	Revision Date J 12-6-11

Item Part No. Description

1.	711887	Engine bracket	15.	OEM	Capacitor
2.	711216	Pump footmount	16.	742058	Belt, Micro-V K080690
3.	711889	Fan spacer	17.	740400	Crank damper
4.	743004	Tensioner	18.	OEM	Airbox
5.	740143	Idler pulley, 8-groove 3.00"	19.	702079	Cap, heat shrink
6.	740436	Spider kit	20.	110827	M12 x 1.5 x 70 Bolt
7.	*	Pump, A rear port	21.	711944	Plate, alternator bridge
8.	742009	Clutch	22.	OEM	Bolt
9.	110705	M10 x 1.5 X 55 Bolt	23.	OEM	Bolt
10.	110676	3/8 Flat washer	24.	702101	Plug, recessed button 1 5/16"
11.	110425	3/8-16 x 1 1/4 Bolt	25.	110761	M8 x 1.25 x 110 Bolt
12.	110292	M8 x 1.25 x 120 Bolt	26.	110703	M8 Flat washer
13.	110558	M8 1.25 x 50 Bolt	27.	102058	Plug, recessed button 1 3/4"
14.	110567	M10 x 1.5 x 80 Bolt			

* See pump list for sizes and part numbers.

FIG. 1
BELT DIAGRAM

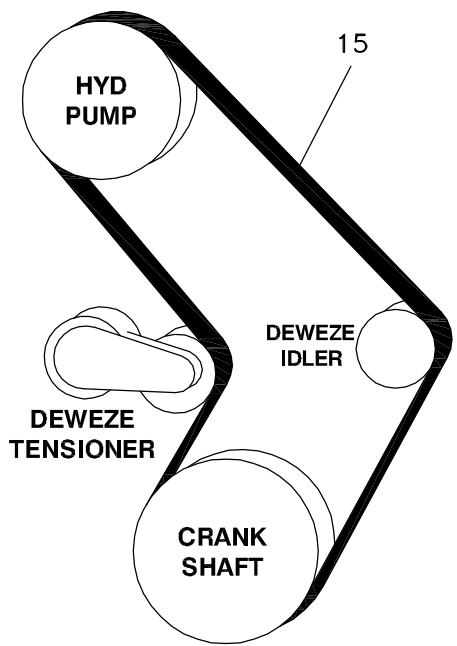


FIG. 3
AIRBOX MODIFICATION

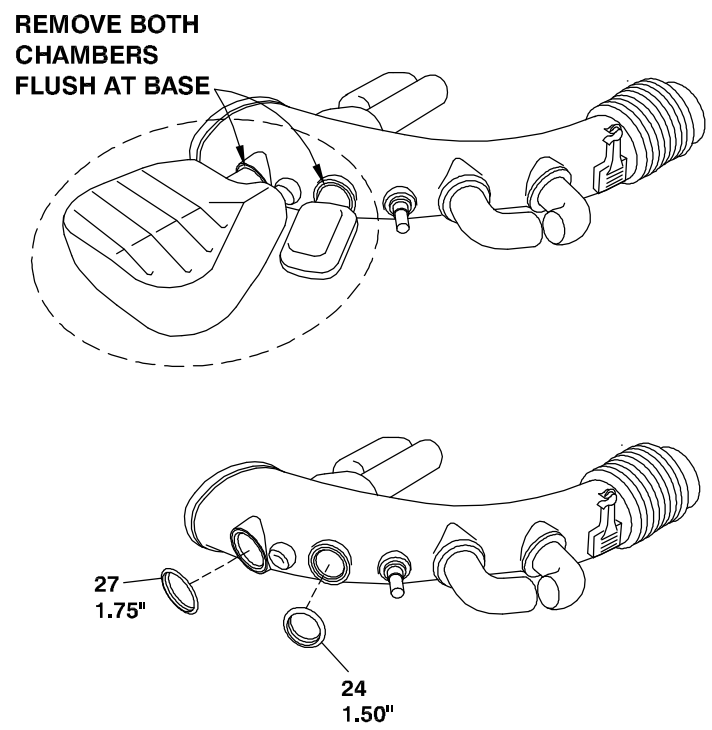


FIG. 5

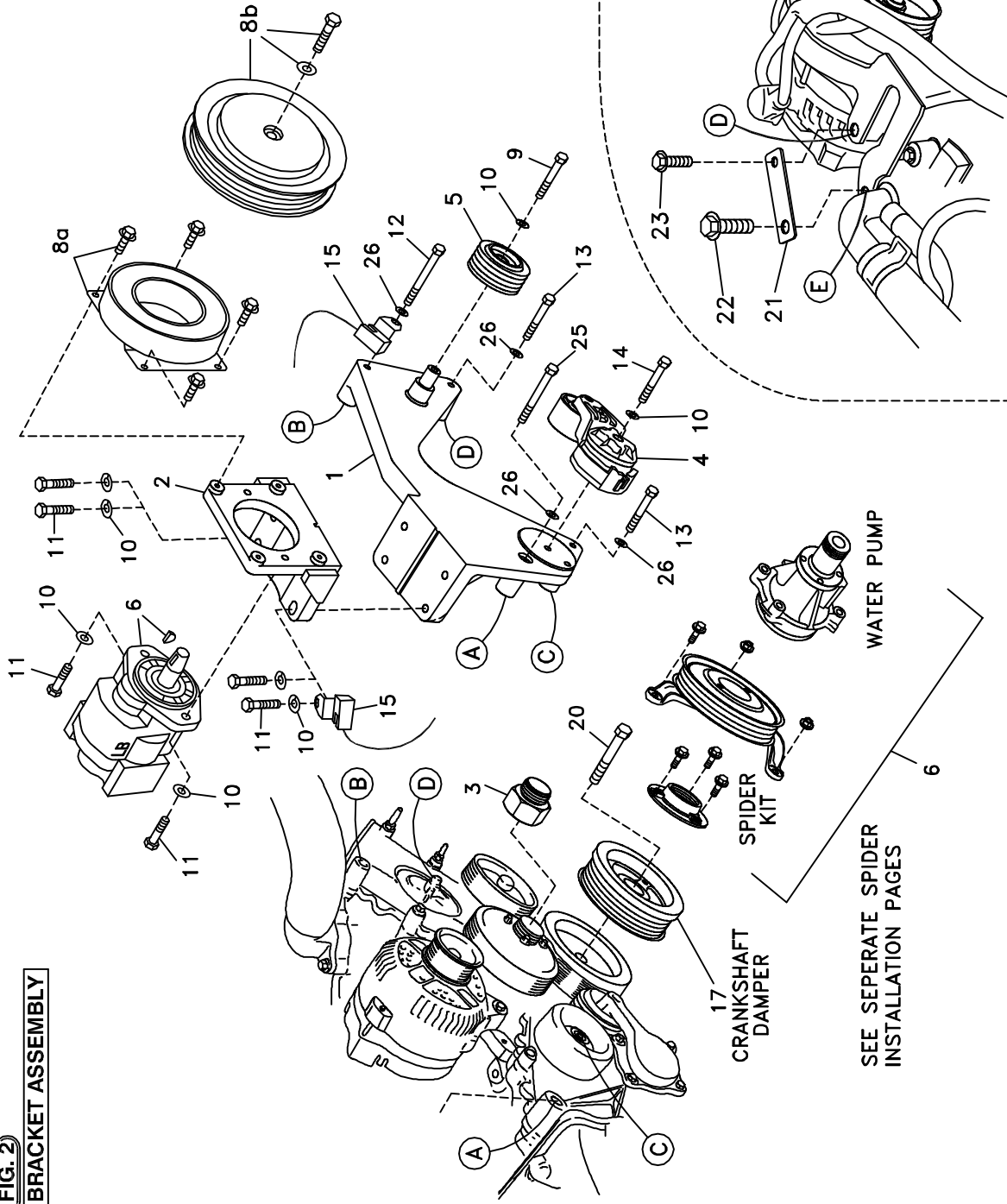
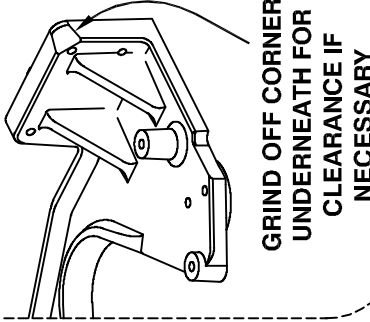


FIG. 2
BRACKET ASSEMBLY

FIG. 4
MODIFY ALTERNATOR BRACKET 2009+

SEE SEPERATE SPIDER
INSTALLATION PAGES

DewEZE Clutch Pump Kit 700475

Ford 6.8L, w/Spider, A Pump, 2008+

INSTALLATION INSTRUCTIONS

1. The installation of this kit requires trained decision-making concerning clearances, tying components together, rerouting, or relocating OEM components, etc. It is impossible to describe all of the clearance and vibration points, etc. in the installation instructions. Therefore, the technician must exercise professional judgment to achieve the best quality installation.
2. Disconnect the battery.
3. Loosen the clamps at the end of the large plastic airbox and remove airbox.
4. Remove OEM belt. Unthread the fan from the water pump and move it forward into the fan shroud to get it out of the way.
5. Drain the coolant from the radiator.
6. Remove the OEM crankshaft damper using the OEM bolt. Install the new damper (17). If the OEM bolt is not long enough, use the M12 x 70 bolt (20) supplied in the kit. Replace the OEM water pump with the new water pump (6) with extended hub, using the original water pump pulley. Replace the OEM belt. Install the spider drive (6). Refer to the Spider Installation sheets for these procedures.
7. Install the fan spacer (3) on the water pump. Install the fan onto the fan spacer.
8. On 2009 and later trucks, remove the OEM bracket over the top of the alternator. On the passenger side of the alternator remove .75" from the bracket as in Fig. 4. On the driver's side of the alternator where the loop over the alternator meets the horizontal arc, bend the bracket up 40°. Reinstall this bracket. Place the bridge plate (19) on top of the alternator bracket (from Location D to Location E), using the OEM bolts (20, 21).
9. Remove the nuts holding the capacitors (15) at Locations A and B. Remove the two OEM stud bolts from Locations A and B. Remove the bolt from the OEM idler at Location C, leaving the idler in place.
10. Hold the pump bracket (1) in place on the engine to check for interference. It may be necessary to grind the underneath corner of the pump footmount pad as in Fig. 5. Attach the pump bracket (1) to the engine at Location A using the M8 x 110 bolt (24) and M8 flat washer (26), and at Location B using the M8 x 120 bolt (12) and M8 flat washer (26), placing one capacitor (15) on top of the bracket before inserting the bolt at Location B. Attach the bracket at Location C (on top of the existing idler) and D each with an M8 x 50 bolt (13) and M8 flat washer (26).
11. Install the tensioner (4) on the pad on the passenger side of the bracket with an M10 x 80 bolt (14) and 3/8 flat washer (10) placing the locating pin in the small hole.
12. Attach the idler (5) to the boss on the driver's side of the pump bracket with the M10 x 60 bolt (9) and 3/8 flat washer (10).
13. Install the pump footmount (2) to the pad on top of the bracket, aligning the keyway on the footmount with the key on the bracket. Place the other capacitor (15) on the rear bolt hole. Loosely thread four 3/8 x 1 1/4 bolts (11) and four 3/8 flat washers (10) into the holes.
14. Attach the pump (7) to the back of the footmount (2) using two 3/8 x 1 1/4 bolts (11) and two 3/8 flat washers (10).
15. Attach the clutch coil (8a) to the front of the pump plate using the four 1/4 x 1/2 flange bolts provided with the clutch. Attach the clutch pulley (8b) to the pump shaft using the

5/16 x 1 1/4 bolt and heavy flat washer provided. Using a straightedge, line up the clutch pulley, spider pulley and idler. Tighten the four footmount bolts (11).

16. Install the new belt (16) as shown in Fig. 1.
17. It is necessary to remove two of the chambers of the airbox (18) for clearance as shown in Fig. 3. Cut each off flush at its base where it attaches to main tube. Apply a heat-resistant adhesive to the 1.75" recessed button plug (27) and insert firmly into the larger hole. Apply a heat-resistant adhesive to the 1.50" recessed button plug (24) and insert firmly into the smaller hole.
18. Replace the coolant. Connect the battery.
19. Make sure all bolts are tight. Run the engine and check for any clearance or alignment problems. Adjust as needed.