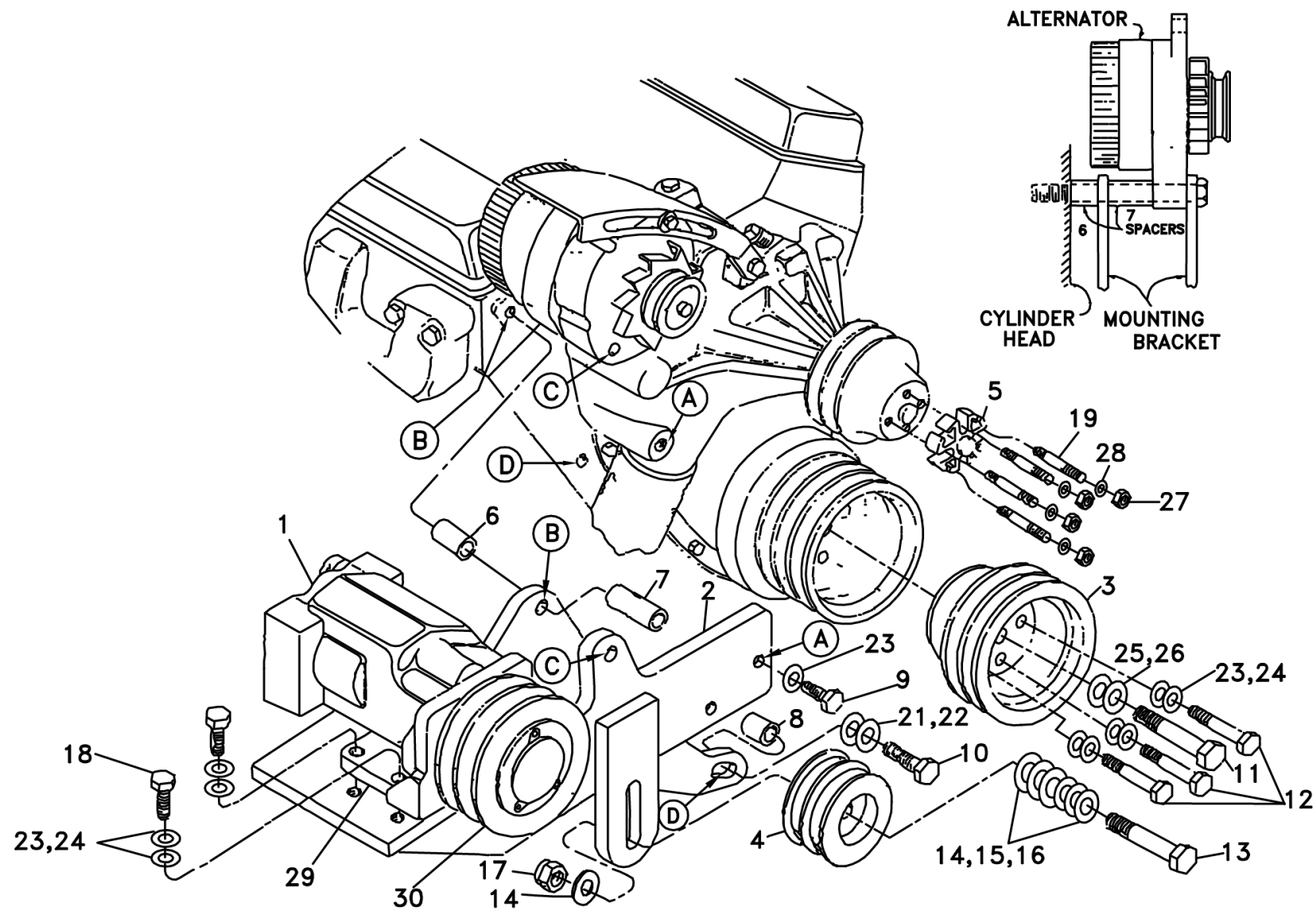


///HARPER INDUSTRIES, INC.

700010

Images and 2D Drawings





Ⓐ Denotes bolt holes in engine to locate corresponding holes in Pump Brkt.

Assembly Details:

Assembly Number: '700010'

Assembly Description: Clutch Pump Kit

Item	Assembly	Part Number	Description	Quantity	UOM	Order Multiple
1.4	No	720172	Pump 7gpm A Mount Parker P315 326-9110-116 Rear Port S16mb P12mb	1	EA	1
1.3	No	720173	Pump 9gpm A Mount Parker P315 326-9110-214 Rear Port S16mb P12mb	1	EA	1
1.2	No	720174	Pump 12gpm A Mount Parker P315 326-9110-215 Rear Port S20mb P16mb	1	EA	1
1.1	No	720175	Pump 17gpm A Mount Parker P315 326-9110-216 Rear Port S20mb P16mb	1	EA	1
30.1	No	740037	Clutch Assy 2V A Mount Tapered 6.125" Warner 1417-42 12VDC	1	EA	1
30.2	No	740038	Clutch Assy 2V A Mount Tapered 6.75" Warner 1466-53 12VDC	1	EA	1
1.5	No	720170	Pump 5gpm A Mount Parker P315 326-9110-115 Rear Port S16mb P12mb	1	EA	1
1.7	No	720286	Pump 9gpm A Mount Parker P415 326-9110-214 Rear Port S16mb P12mb High Pressure	1	EA	1
1.6	No	720288	Pump 12gpm A Mount Parker P415 326-9110-215HP Rear Port S20mb P16mb High Pressure	1	EA	1
1.8	No	720302	Pump 7gpm A Mount Parker P415 326-9110-116 Rear Port S16mb P12mb High Pressure	1	EA	1
2	No	710008	Bracket Assy	1	EA	1
3	No	740003	Crank Pulley	1	EA	1
4	No	740040	Idler Assy 3" Flat Double Back	1	EA	1

Item	Assembly	Part Number	Description	Quantity	UOM	Order Multiple
5	No	700170	Fan Spacer .625	1	EA	1
6	No	710162	Spacer 1.220 X .50	1	EA	1
7	No	710163	Spacer 1.585 X .50	1	EA	1
8	No	710161	Spacer .720 X .50	1	EA	1
9	No	110420	Bolt 3/8-16 X 1.00 HHCS Gr 5 Zinc	1	EA	1
10	No	110544	Bolt 7/16-14 X 2.00 HHCS Gr 5 Zinc	1	EA	1
11	No	110546	Bolt 1/2-20 X 3.25 HHCS Gr 5 Zinc	1	EA	1
12	No	110436	Bolt 3/8-16 X 2.50 HHCS Gr 5 Zinc	3	EA	1
13	No	110477	Bolt 5/8-11 X 3.00 HHCS Gr 5 Zinc	1	EA	1
14	No	110640	Nut M10 Gr 8.8 Zinc	4	EA	1
15	No	110668	Washer .625 X 1.00 X 10ga Machine	2	EA	1
16	No	110669	Washer .625 X 1.00 X 14ga Machine Zinc	2	EA	1
17	No	110639	Nut 5/8-11 Lock Automation	1	EA	1
18	No	110425	Bolt 3/8-16 X 1.25 HHCS Gr 5 Zinc	4	EA	1
19	No	710344	Stud 5/16 X 2	4	EA	1
20	No	740057	V-belt AP61	2	EA	1
21	No	110670	Washer 7/16" Flat	1	EA	1
22	No	110671	Washer 7/16" Lock	1	EA	1
23	No	110672	Washer 3/8" Lock	8	EA	1
24	No	110676	Washer 3/8" Flat Zinc	7	EA	1
25	No	110666	Washer 1/2" Lock	1	EA	1
26	No	110658	Washer 1/2" Flat Zinc	1	EA	1
27	No	110608	Nut 5/16-18	4	EA	1
28	No	110674	Washer 5/16" Lock Zinc	4	EA	1

Item	Assembly	Part Number	Description	Quantity	UOM	Order Multiple
29	No	711216	Slotted Foot Mount	1	EA	1