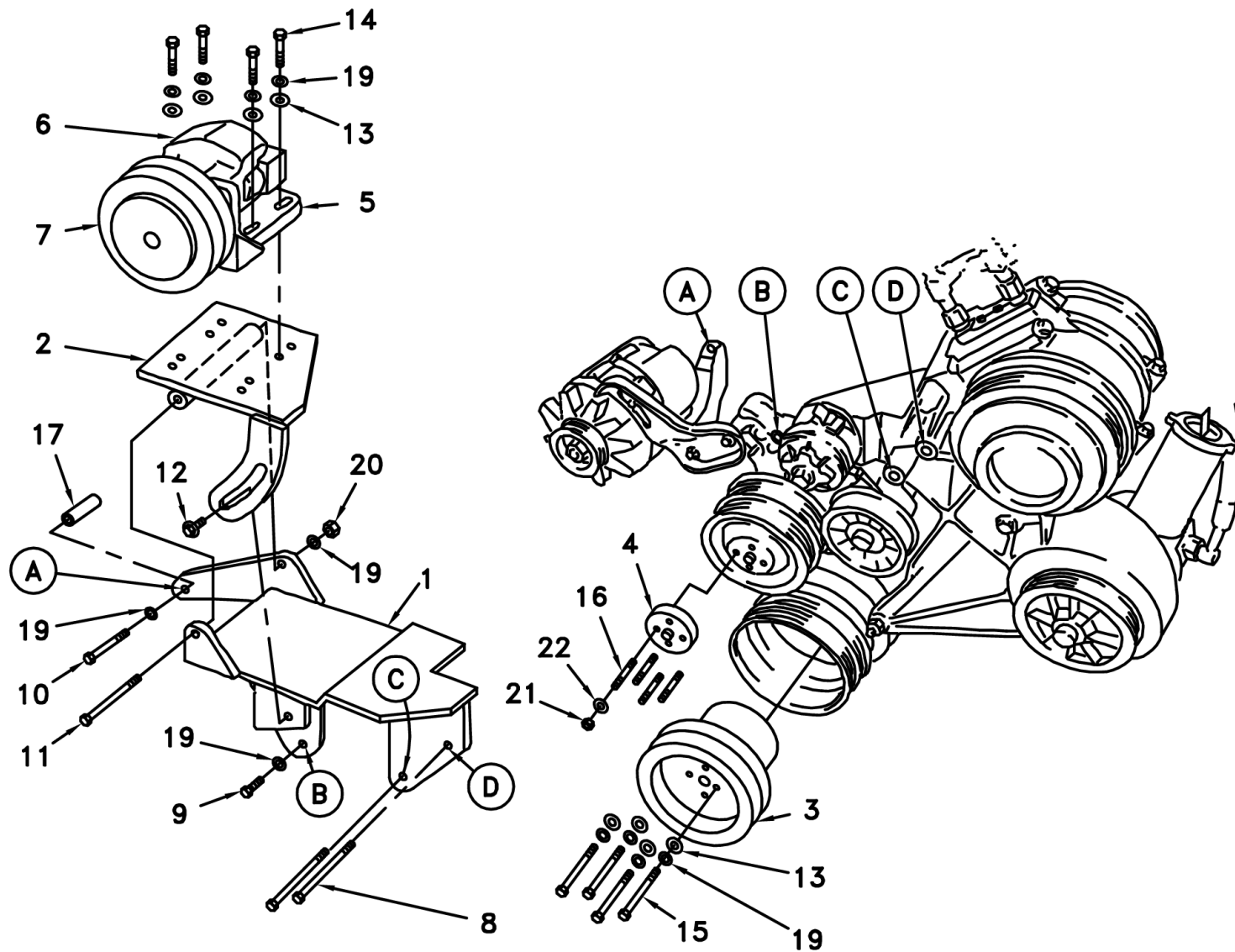


///HARPER INDUSTRIES, INC.

700066

Images and 2D Drawings





Ⓐ Denotes bolt holes in engine to locate corresponding holes in Pump Brkt.

Assembly Details:

Assembly Number: '700066'

Assembly Description: Clutch Pump Kit

Item	Assembly	Part Number	Description	Quantity	UOM	Order Multiple
6.2	No	720174	Pump 12gpm A Mount Parker P315 326-9110-215 Rear Port S20mb P16mb	1	EA	1
6.1	No	720175	Pump 17gpm A Mount Parker P315 326-9110-216 Rear Port S20mb P16mb	1	EA	1
7.1	No	740037	Clutch Assy 2V A Mount Tapered 6.125" Warner 1417-42 12VDC	1	EA	1
7.2	No	740038	Clutch Assy 2V A Mount Tapered 6.75" Warner 1466-53 12VDC	1	EA	1
6.3	No	720288	Pump 12gpm A Mount Parker P415 326-9110-215HP Rear Port S20mb P16mb High Pressure	1	EA	1
1	No	710818	Bracket Assy	1	EA	1
2	No	710816	Plate Assy	1	EA	1
3	No	740023	Crank Pulley	1	EA	1
4	No	700154	Fan Spacer 1.25	1	EA	1
5	No	711216	Slotted Foot Mount	1	EA	1
8	No	110482	Bolt 7/16-14 X 6.50 HHCS Gr 5 Zinc	1	EA	1
9	No	110420	Bolt 3/8-16 X 1.00 HHCS Gr 5 Zinc	1	EA	1
10	No	110495	Bolt 3/8-16 X 3.75 HHCS Gr 5 Zinc	1	EA	1
11	No	110542	Bolt 3/8-16 X 5.50 HHCS Gr 5 Zinc	1	EA	1
12	No	110437	Bolt 3/8-16 X .75 Wiz Flange Gr 5 Zinc	1	EA	1
13	No	110676	Washer 3/8" Flat Zinc	1	EA	1
14	No	110425	Bolt 3/8-16 X 1.25 HHCS Gr 5 Zinc	1	EA	1

Item	Assembly	Part Number	Description	Quantity	UOM	Order Multiple
15	No	110540	Bolt 3/8-16 X 4.50 HHCS Gr 5 Zinc	1	EA	1
16	No	710345	Stud 5/16 X 3	1	EA	1
17	No	710842	Spacer 1.625" .375 ID X .75 OD	1	EA	1
18	No	740055	V-belt	1	EA	1
19	No	110672	Washer 3/8" Lock	1	EA	1
20	No	110612	3/8? Nc Nut	1	EA	1
21	No	110608	Nut 5/16-18	1	EA	1
22	No	110674	Washer 5/16" Lock Zinc	1	EA	1