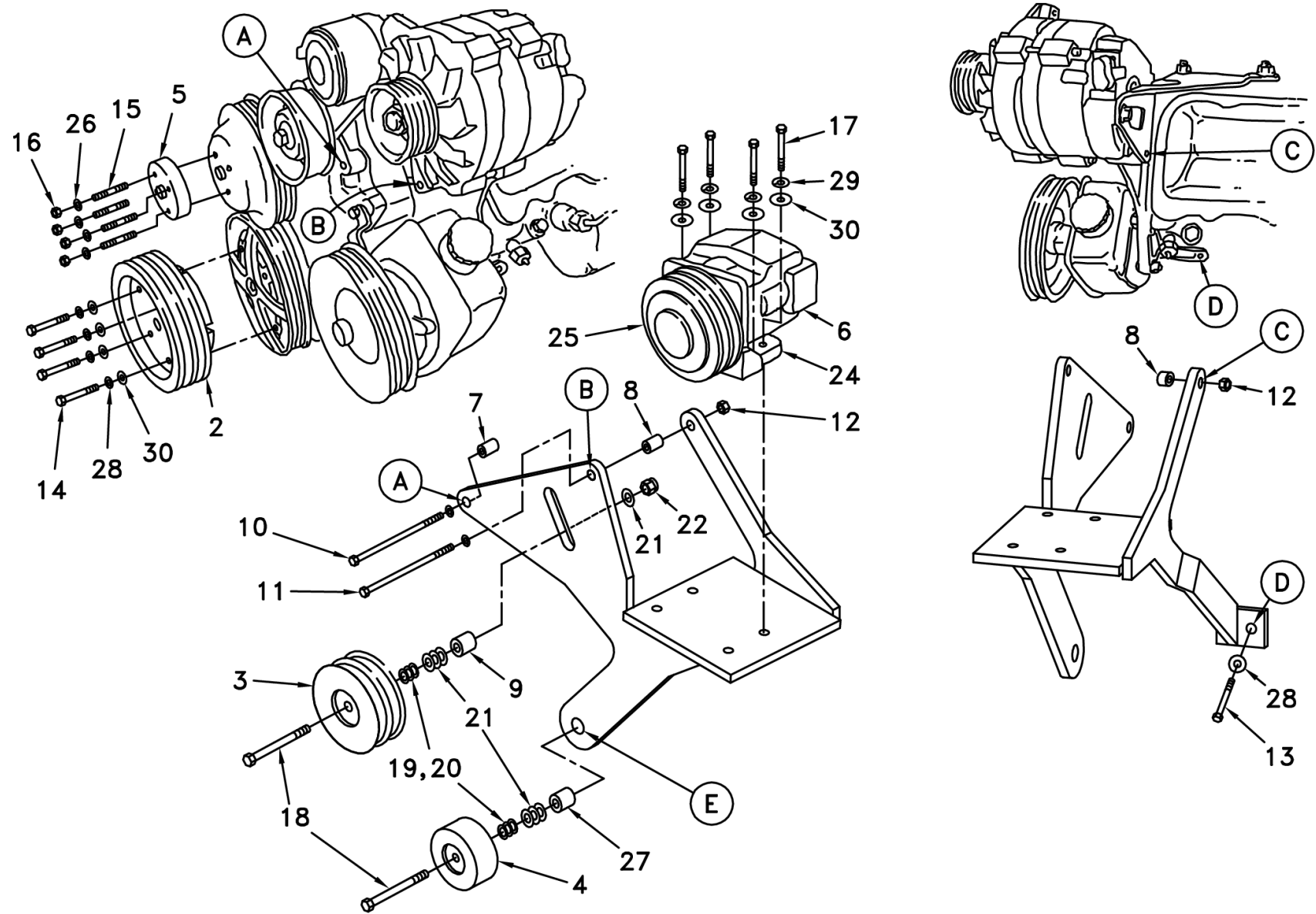


///HARPER INDUSTRIES, INC.

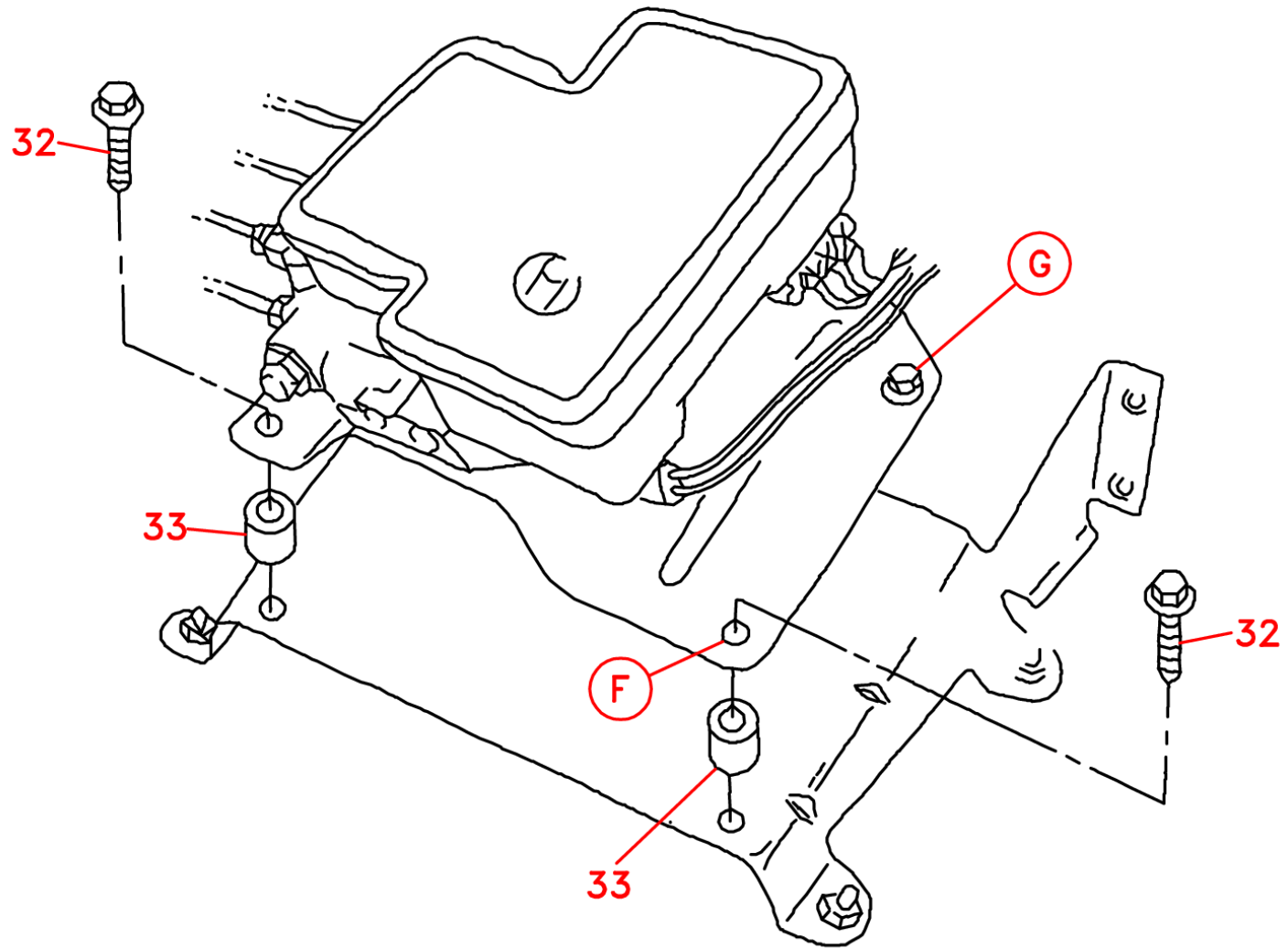
700081

Images and 2D Drawings





Ⓐ Denotes bolt holes in engine to locate corresponding holes in Pump Brkt.



Assembly Details:

Assembly Number: '700081'

Assembly Description: Clutch Pump Kit

Item	Assembly	Part Number	Description	Quantity	UOM	Order Multiple
6.4	No	720172	Pump 7gpm A Mount Parker P315 326-9110-116 Rear Port S16mb P12mb	1	EA	1
6.3	No	720173	Pump 9gpm A Mount Parker P315 326-9110-214 Rear Port S16mb P12mb	1	EA	1
6.2	No	720174	Pump 12gpm A Mount Parker P315 326-9110-215 Rear Port S20mb P16mb	1	EA	1
6.1	No	720175	Pump 17gpm A Mount Parker P315 326-9110-216 Rear Port S20mb P16mb	1	EA	1
25.1	No	740037	Clutch Assy 2V A Mount Tapered 6.125" Warner 1417-42 12VDC	1	EA	1
25.2	No	740038	Clutch Assy 2V A Mount Tapered 6.75" Warner 1466-53 12VDC	1	EA	1
6.5	No	720170	Pump 5gpm A Mount Parker P315 326-9110-115 Rear Port S16mb P12mb	1	EA	1
6.7	No	720286	Pump 9gpm A Mount Parker P415 326-9110-214 Rear Port S16mb P12mb High Pressure	1	EA	1
6.6	No	720288	Pump 12gpm A Mount Parker P415 326-9110-215HP Rear Port S20mb P16mb High Pressure	1	EA	1
6.8	No	720302	Pump 7gpm A Mount Parker P415 326-9110-116 Rear Port S16mb P12mb High Pressure	1	EA	1
1	No	710061	Pump Mount Bracket Assy	1	EA	1
2	No	740071	Crank Pulley	1	EA	1
3	No	740133	Idler Assy 4.5" Flat Double Back	1	EA	1

Item	Assembly	Part Number	Description	Quantity	UOM	Order Multiple
4	No	740200	Idler Assy	1	EA	1
5	No	700207	Fan Spacer 1.00	1	EA	1
7	No	710138	Spacer 1.310 X .50	1	EA	1
8	No	710139	Spacer .55 X .50	1	EA	1
9	No	710233	Spacer 1.25 X .75 X 1.50	1	EA	1
10	No	110511	Bolt M10-1.5 X 150 HHCS 10.9 Zinc	1	EA	1
11	No	110541	Bolt 3/8-16 X 6.25 HHCS Gr 5 Zinc	1	EA	1
12	No	110621	Nut 3/8-16 Lock Gr C Zinc	1	EA	1
13	No	110526	Bolt M10-1.5 X 40 HHCS Gr 10.9 Zinc	1	EA	1
14	No	110113	Bolt M10-1.5 X 90 HHCS Gr 10.9 Plain	1	EA	1
15	No	710350	Stud M8 X 1.25 X 65	1	EA	1
16	No	110643	Nut M8-1.25 Hex Gr 8.8 Zinc	1	EA	1
17	No	110425	Bolt 3/8-16 X 1.25 HHCS Gr 5 Zinc	1	EA	1
18	No	110385	Bolt 5/8-11 X 4.00 HHCS Gr 5 Zinc	1	EA	1
19	No	110668	Washer .625 X 1.00 X 10ga Machine	1	EA	1
20	No	110669	Washer .625 X 1.00 X 14ga Machine Zinc	1	EA	1
21	No	110650	Washer 5/8" Flat Zinc	1	EA	1
22	No	110639	Nut 5/8-11 Lock Automation	1	EA	1
23	No	740056	V-belt AP60	1	EA	1
24	No	711216	Slotted Foot Mount	1	EA	1
26	No	110674	Washer 5/16" Lock Zinc	1	EA	1
27	No	710840	Idler Pulley Spacer	1	EA	1
28	No	110671	Washer 7/16" Lock	1	EA	1
29	No	110672	Washer 3/8" Lock	1	EA	1

Item	Assembly	Part Number	Description	Quantity	UOM	Order Multiple
30	No	110676	Washer 3/8" Flat Zinc	1	EA	1
31	No	740130	Serpentine Belt 6 Rib 101.0"	1	EA	1
32	No	110080	Bolt M8-1.25 X 35 Gr 8.8 Zinc	1	EA	1
33	No	710261	Spacer .625 X .50	1	EA	1