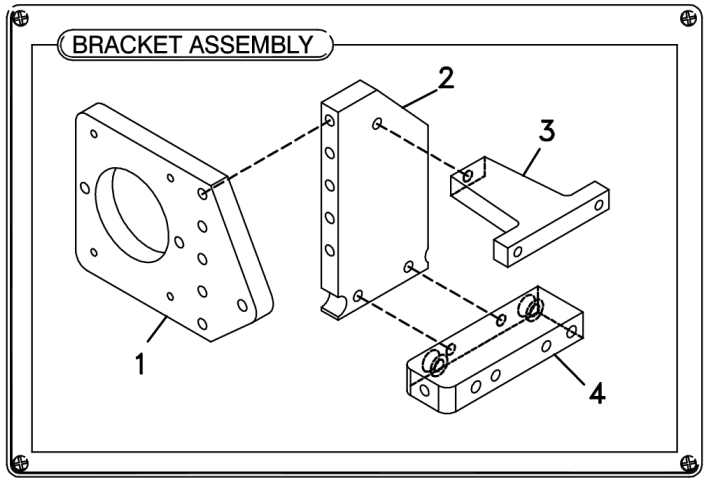
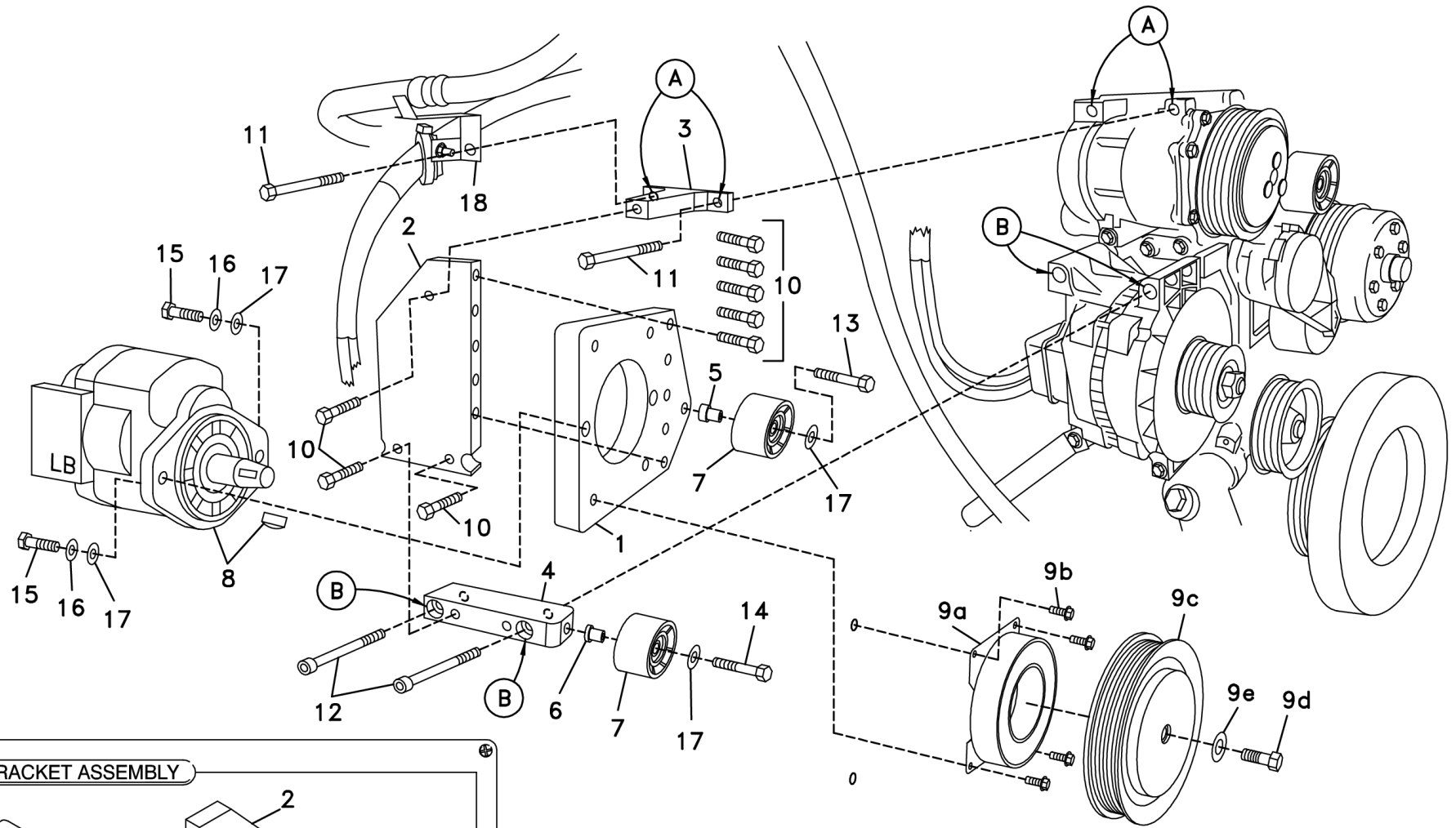


///HARPER INDUSTRIES, INC.

700418

Images and 2D Drawings





Assembly Details:

Assembly Number: '700418'

Assembly Description: Clutch Pump Kit

Item	Assembly	Part Number	Description	Quantity	UOM	Order Multiple
8.4	No	720172	Pump 7gpm A Mount Parker P315 326-9110-116 Rear Port S16mb P12mb	1	EA	1
8.3	No	720173	Pump 9gpm A Mount Parker P315 326-9110-214 Rear Port S16mb P12mb	1	EA	1
8.2	No	720174	Pump 12gpm A Mount Parker P315 326-9110-215 Rear Port S20mb P16mb	1	EA	1
8.1	No	720175	Pump 17gpm A Mount Parker P315 326-9110-216 Rear Port S20mb P16mb	1	EA	1
9.2	No	740148	Clutch Assy 8 Groove A Mount Tapered 6" Warner 1417-42 12VDC	1	EA	1
9.1	No	742009	Clutch Assy 8 Groove A Mount Tapered 6" Ogura MA-MG02-DE 12VDC	1	EA	1
8.5	No	720170	Pump 5gpm A Mount Parker P315 326-9110-115 Rear Port S16mb P12mb	1	EA	1
8.7	No	720286	Pump 9gpm A Mount Parker P415 326-9110-214 Rear Port S16mb P12mb High Pressure	1	EA	1
8.6	No	720288	Pump 12gpm A Mount Parker P415 326-9110-215HP Rear Port S20mb P16mb High Pressure	1	EA	1
8.8	No	720302	Pump 7gpm A Mount Parker P415 326-9110-116 Rear Port S16mb P12mb High Pressure	1	EA	1
1	No	711558	Pump Mount Plate	1	EA	1
2	No	711559	Bridge Plate	1	EA	1
3	No	711560	A/C Bracket	1	EA	1

Item	Assembly	Part Number	Description	Quantity	UOM	Order Multiple
4	No	711561	Alternator Spacer	1	EA	1
5	No	711226	Idler Bushing .665 X .438 X 1.675	1	EA	1
6	No	711562	Idler Bushing	1	EA	1
7	No	740261	Idler Assy 3.00 X 1.540 Flat	1	EA	1
10	No	110745	Bolt 3/8-16 X 1.50 HHCS Gr 8	1	EA	1
11	No	110292	Bolt M8-1.25 X 120 HHCS Gr 10.9 Zinc	1	EA	1
12	No	110275	Bolt M10-1.5 X 140 SHCS Gr 12.9 Plain	1	EA	1
13	No	110180	Bolt M10-1.5 X 60 HHCS Gr 10.9 Zinc	1	EA	1
14	No	110210	Bolt M10-1.5 X 50 HHCS Gr 10.9 Zinc	1	EA	1
15	No	110425	Bolt 3/8-16 X 1.25 HHCS Gr 5 Zinc	1	EA	1
16	No	110672	Washer 3/8" Lock	1	EA	1
17	No	110676	Washer 3/8" Flat Zinc	1	EA	1
19	No	742011	Serpentine Belt 8 Rib 100.0"	1	EA	1