

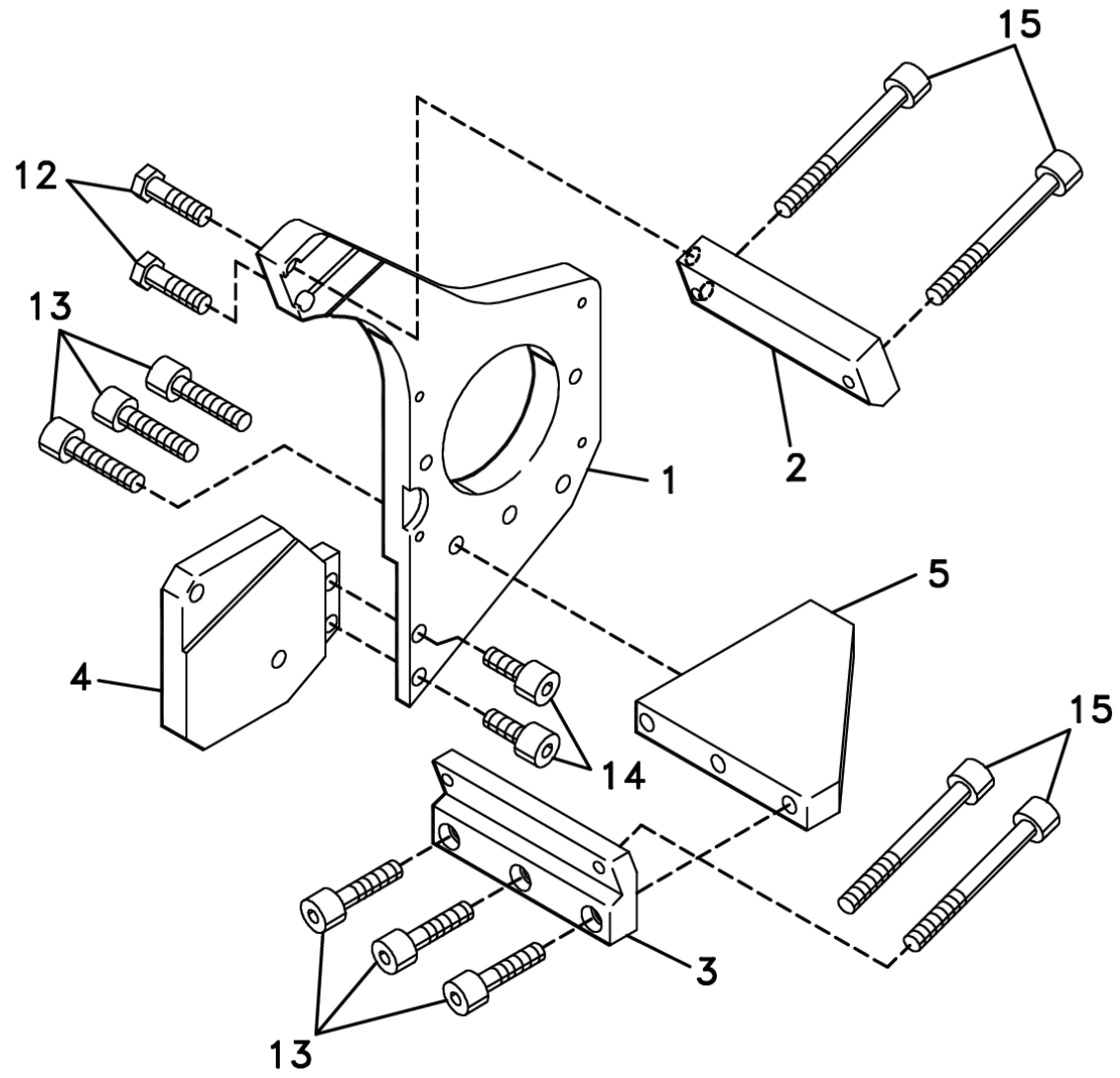
///HARPER INDUSTRIES, INC.

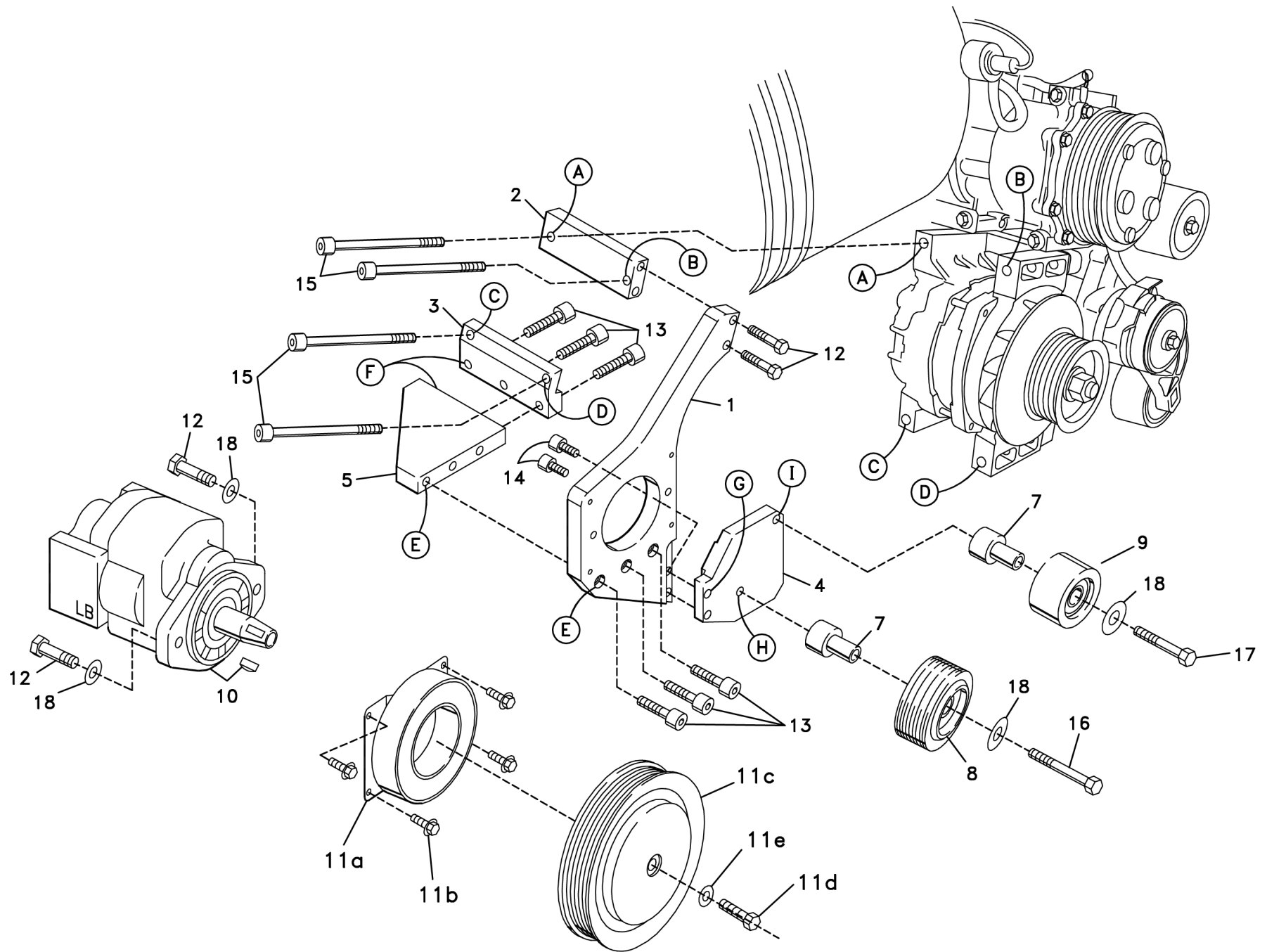
700437

Images and 2D Drawings



BRACKET ASSY, REAR VIEW





Assembly Details:

Assembly Number: '700437'

Assembly Description: Clutch Pump Kit

Item	Assembly	Part Number	Description	Quantity	UOM	Order Multiple
10.4	No	720172	Pump 7gpm A Mount Parker P315 326-9110-116 Rear Port S16mb P12mb	1	EA	1
10.3	No	720173	Pump 9gpm A Mount Parker P315 326-9110-214 Rear Port S16mb P12mb	1	EA	1
10.2	No	720174	Pump 12gpm A Mount Parker P315 326-9110-215 Rear Port S20mb P16mb	1	EA	1
10.1	No	720175	Pump 17gpm A Mount Parker P315 326-9110-216 Rear Port S20mb P16mb	1	EA	1
11.2	No	740148	Clutch Assy 8 Groove A Mount Tapered 6" Warner 1417-42 12VDC	1	EA	1
11.1	No	742009	Clutch Assy 8 Groove A Mount Tapered 6" Ogura MA-MG02-DE 12VDC	1	EA	1
10.5	No	720170	Pump 5gpm A Mount Parker P315 326-9110-115 Rear Port S16mb P12mb	1	EA	1
10.7	No	720286	Pump 9gpm A Mount Parker P415 326-9110-214 Rear Port S16mb P12mb High Pressure	1	EA	1
10.6	No	720288	Pump 12gpm A Mount Parker P415 326-9110-215HP Rear Port S20mb P16mb High Pressure	1	EA	1
10.8	No	720302	Pump 7gpm A Mount Parker P415 326-9110-116 Rear Port S16mb P12mb High Pressure	1	EA	1
1	No	711658	Pump Mount Bracket	1	EA	1
2	No	711659	Alternator Top Bracket	1	EA	1
3	No	711660	Alternator Bottom Bracket	1	EA	1

Item	Assembly	Part Number	Description	Quantity	UOM	Order Multiple
4	No	711661	Idler Bracket	1	EA	1
5	No	711662	Gusset	1	EA	1
7	No	711641	Idler Bushing	1	EA	1
8	No	740397	Idler Assy	1	EA	1
9	No	740339	Idler Assy	1	EA	1
12	No	110425	Bolt 3/8-16 X 1.25 HHCS Gr 5 Zinc	1	EA	1
13	No	110465	Bolt 3/8-16 X 1.25 SHCS Plain	1	EA	1
14	No	110395	Bolt 3/8-16 X 1.00 SHCS Plain	1	EA	1
15	No	110171	Bolt M10-1.5 X 110 SHCS Gr 10.9 Plain	1	EA	1
16	No	110180	Bolt M10-1.5 X 60 HHCS Gr 10.9 Zinc	1	EA	1
17	No	110705	Bolt M10-1.5 X 55 Gr 10.9 Plain	1	EA	1
18	No	110676	Washer 3/8" Flat Zinc	1	EA	1
19	No	742021	Serpentine Belt 8 Rib 115.3"	1	EA	1