

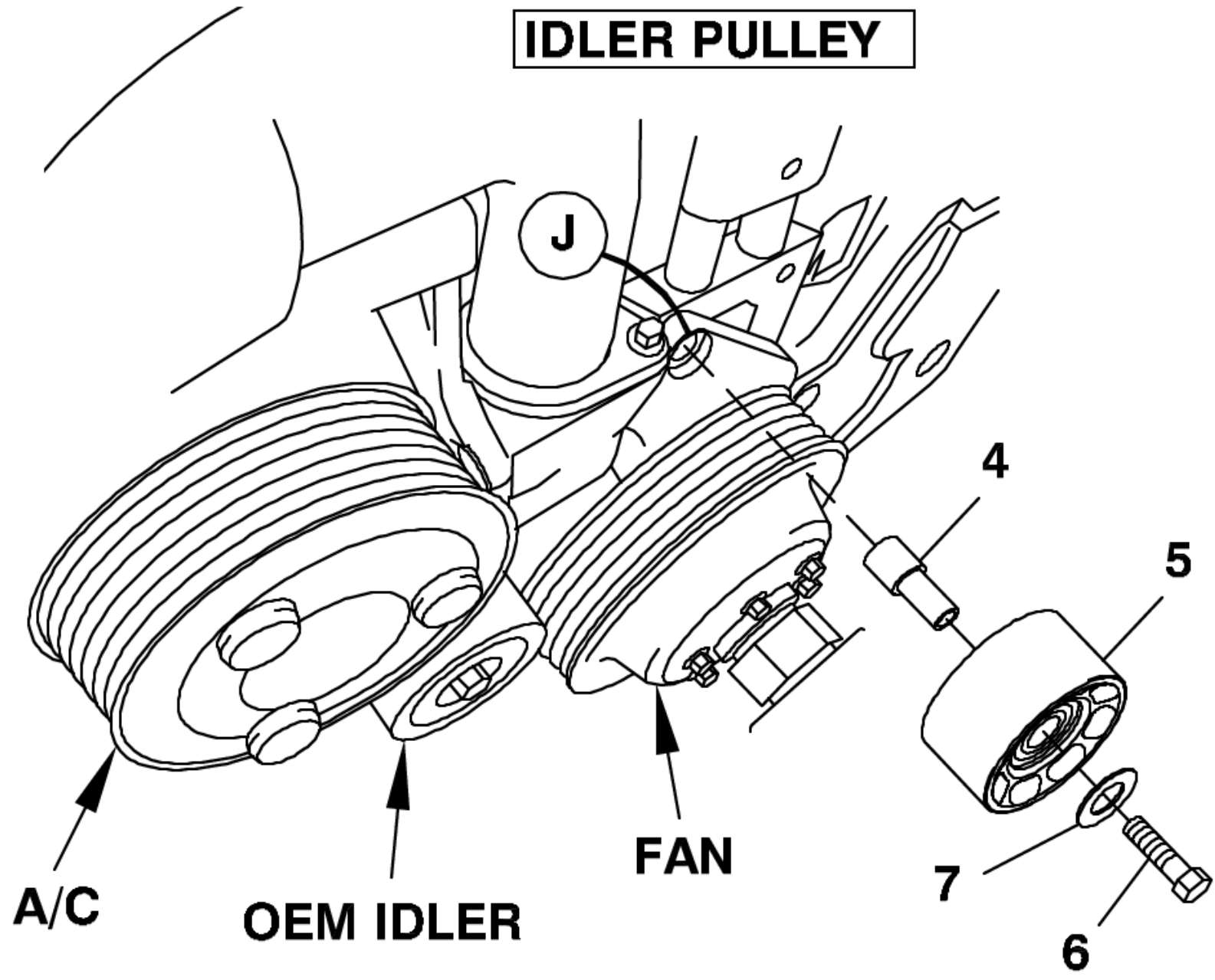
///HARPER INDUSTRIES, INC.

700491

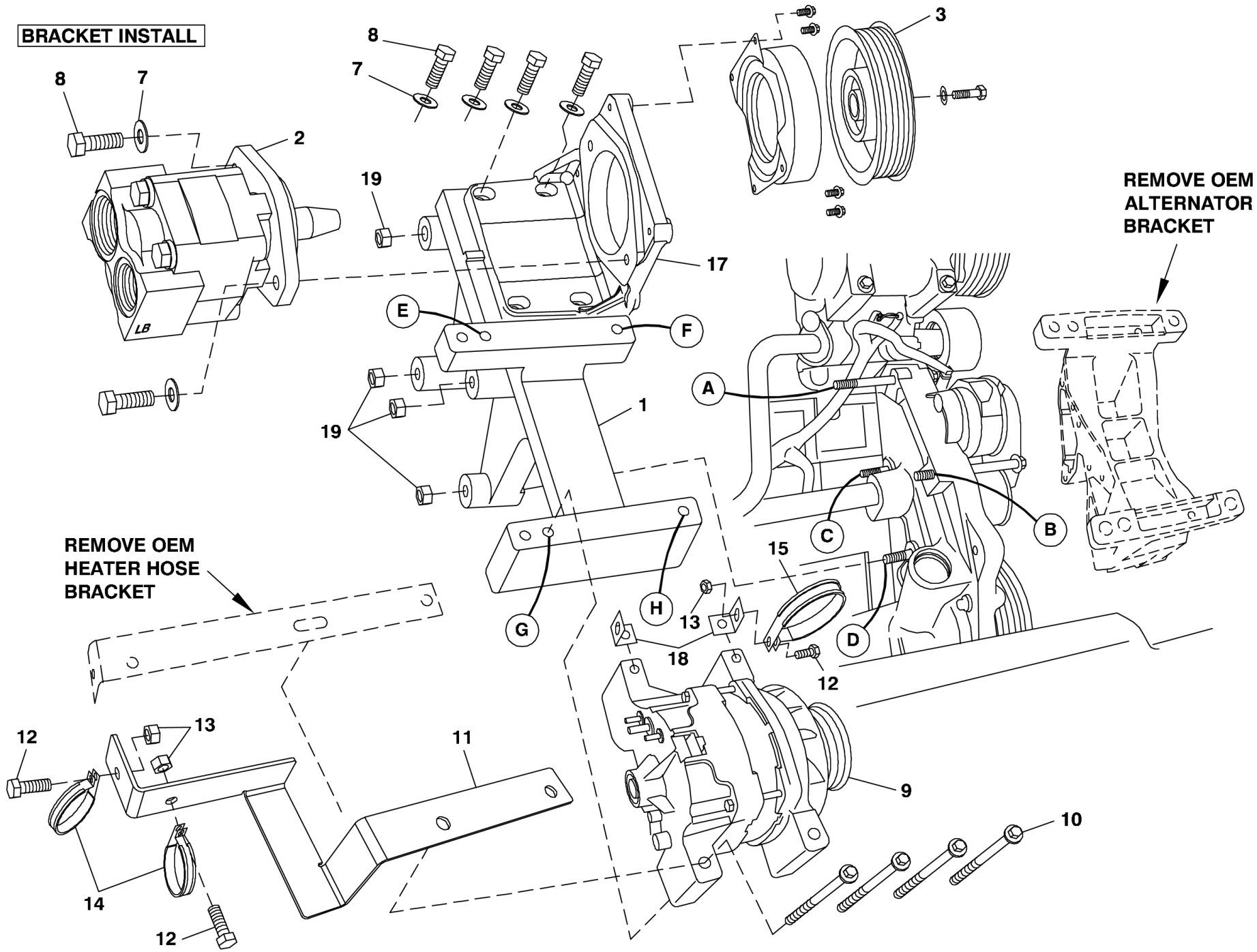
Images and 2D Drawings



IDLER PULLEY



BRACKET INSTALL



Assembly Details:

Assembly Number: '700491'

Assembly Description: Clutch Pump Kit

Item	Assembly	Part Number	Description	Quantity	UOM	Order Multiple
2.4	No	720172	Pump 7gpm A Mount Parker P315 326-9110-116 Rear Port S16mb P12mb	1	EA	1
2.3	No	720173	Pump 9gpm A Mount Parker P315 326-9110-214 Rear Port S16mb P12mb	1	EA	1
2.2	No	720174	Pump 12gpm A Mount Parker P315 326-9110-215 Rear Port S20mb P16mb	1	EA	1
2.1	No	720175	Pump 17gpm A Mount Parker P315 326-9110-216 Rear Port S20mb P16mb	1	EA	1
2.5	No	720170	Pump 5gpm A Mount Parker P315 326-9110-115 Rear Port S16mb P12mb	1	EA	1
2.7	No	720286	Pump 9gpm A Mount Parker P415 326-9110-214 Rear Port S16mb P12mb High Pressure	1	EA	1
2.6	No	720288	Pump 12gpm A Mount Parker P415 326-9110-215HP Rear Port S20mb P16mb High Pressure	1	EA	1
2.8	No	720302	Pump 7gpm A Mount Parker P415 326-9110-116 Rear Port S16mb P12mb High Pressure	1	EA	1
1	No	711940	Pump Mount Bracket	1	EA	1
3	No	742066	Clutch Assy 10 Groove A Mount Tapered 6" Warner 1417-49 12VDC	1	EA	1
4	No	711942	Bushing .668 X .406 X 1.585	1	EA	1
5	No	740366	Idler Assy	1	EA	1
6	No	110217	Bolt M10-1.5 X 70 HHCS Gr 10.9 Zinc	1	EA	1
7	No	110676	Washer 3/8" Flat Zinc	1	EA	1

Item	Assembly	Part Number	Description	Quantity	UOM	Order Multiple
8	No	110425	Bolt 3/8-16 X 1.25 HHCS Gr 5 Zinc	1	EA	1
11	No	711941	Heater Hose Bracket	1	EA	1
12	No	110464	Bolt 1/4-20 X 1.00 HHCS Gr 5 Zinc	1	EA	1
13	No	110609	Nut 1/4-20	1	EA	1
15	No	102046	Clamp Adel 2.50	1	EA	1
16	No	742069	Serpentine Belt 10 Rib 104.0"	1	EA	1
17	No	711216	Slotted Foot Mount	1	EA	1