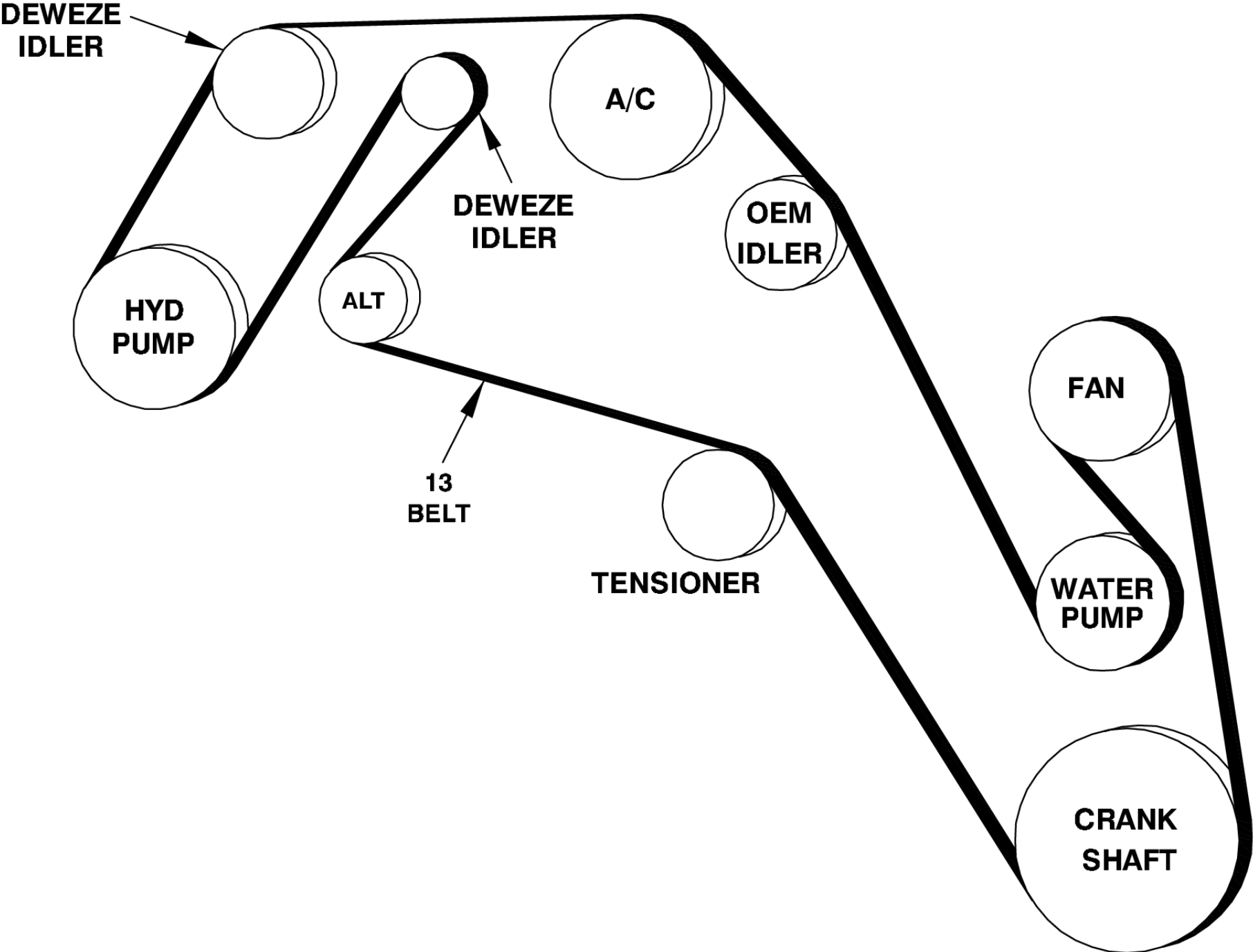


**///HARPER** INDUSTRIES, INC.

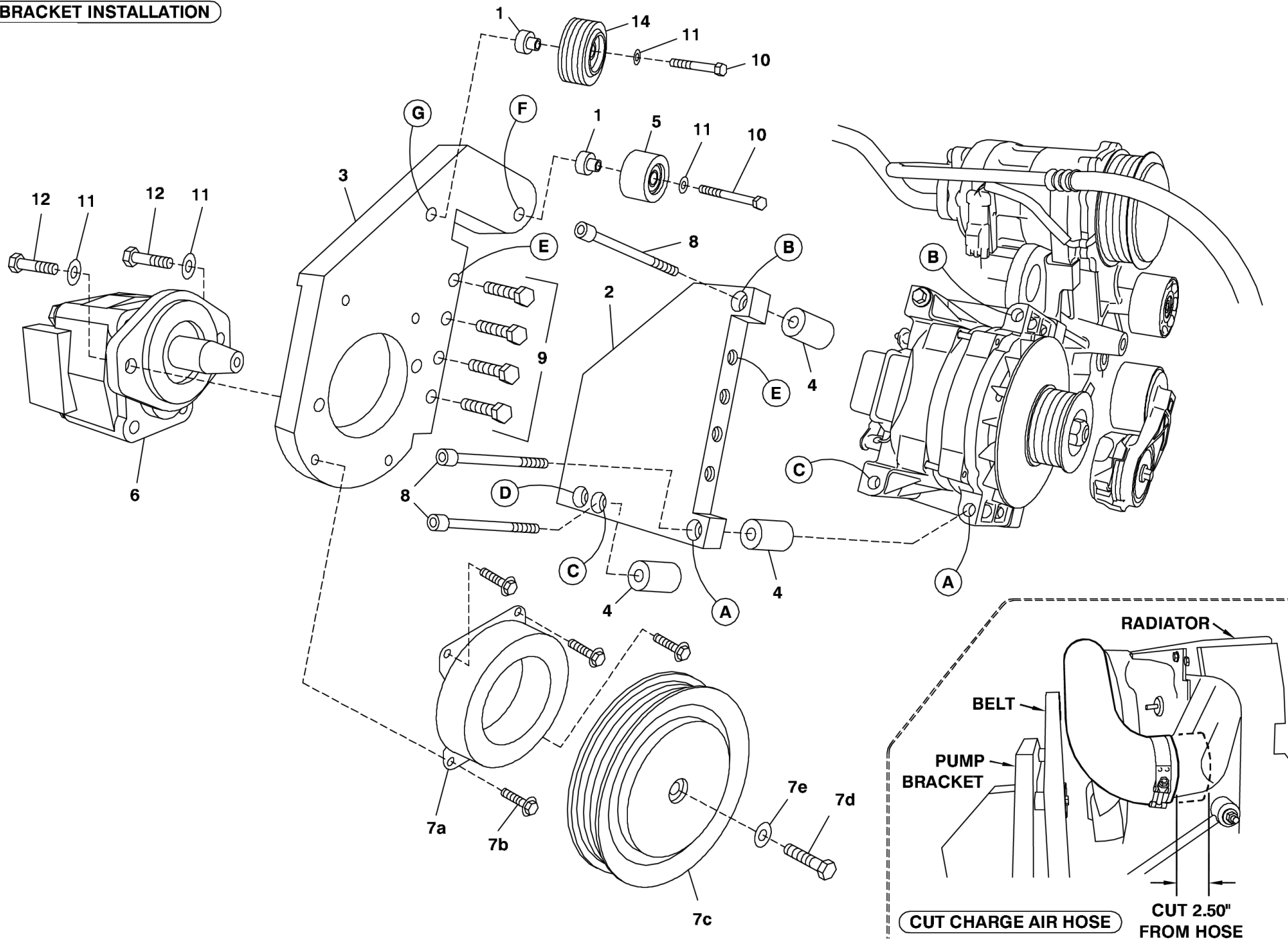
**700529**

**Images and 2D Drawings**





**BRACKET INSTALLATION**



Assembly Details:

Assembly Number: '700529'

Assembly Description: Clutch Pump Kit

Item	Assembly	Part Number	Description	Quantity	UOM	Order Multiple
6.4	No	720172	Pump 7gpm A Mount Parker P315 326-9110-116 Rear Port S16mb P12mb	1	EA	1
6.3	No	720173	Pump 9gpm A Mount Parker P315 326-9110-214 Rear Port S16mb P12mb	1	EA	1
6.2	No	720174	Pump 12gpm A Mount Parker P315 326-9110-215 Rear Port S20mb P16mb	1	EA	1
6.1	No	720175	Pump 17gpm A Mount Parker P315 326-9110-216 Rear Port S20mb P16mb	1	EA	1
7.2	No	740148	Clutch Assy 8 Groove A Mount Tapered 6" Warner 1417-42 12VDC	1	EA	1
7.1	No	742009	Clutch Assy 8 Groove A Mount Tapered 6" Ogura MA-MG02-DE 12VDC	1	EA	1
6.5	No	720170	Pump 5gpm A Mount Parker P315 326-9110-115 Rear Port S16mb P12mb	1	EA	1
6.7	No	720286	Pump 9gpm A Mount Parker P415 326-9110-214 Rear Port S16mb P12mb High Pressure	1	EA	1
6.6	No	720288	Pump 12gpm A Mount Parker P415 326-9110-215HP Rear Port S20mb P16mb High Pressure	1	EA	1
6.8	No	720302	Pump 7gpm A Mount Parker P415 326-9110-116 Rear Port S16mb P12mb High Pressure	1	EA	1
1	No	711914	Idler Bushing	1	EA	1
2	No	711915	Alternator Plate	1	EA	1
3	No	711916	Pump Mount Plate	1	EA	1

Item	Assembly	Part Number	Description	Quantity	UOM	Order Multiple
4	No	711917	Spacer	1	EA	1
5	No	740242	Idler Assy	1	EA	1
8	No	110830	Bolt M10-1.5 X 160 SHCS Gr 12.9	1	EA	1
9	No	110419	Bolt 1/2-13 X 1.75 HHCS Gr 5 Zinc	1	EA	1
10	No	110571	Bolt 3/8-16 X 2.50 HHCS Gr 8 Zinc	1	EA	1
11	No	110676	Washer 3/8" Flat Zinc	1	EA	1
12	No	110425	Bolt 3/8-16 X 1.25 HHCS Gr 5 Zinc	1	EA	1
13	No	742062	Serpentine Belt 8 Rib 139.8"	1	EA	1
14	No	740143	Idler Assy 3" 8 Groove	1	EA	1