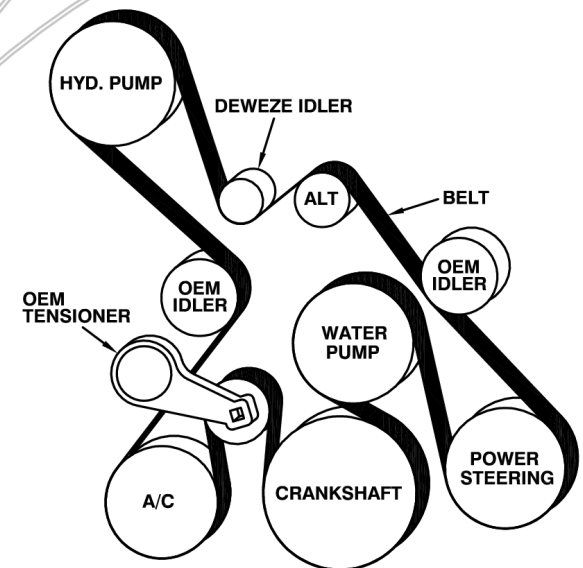
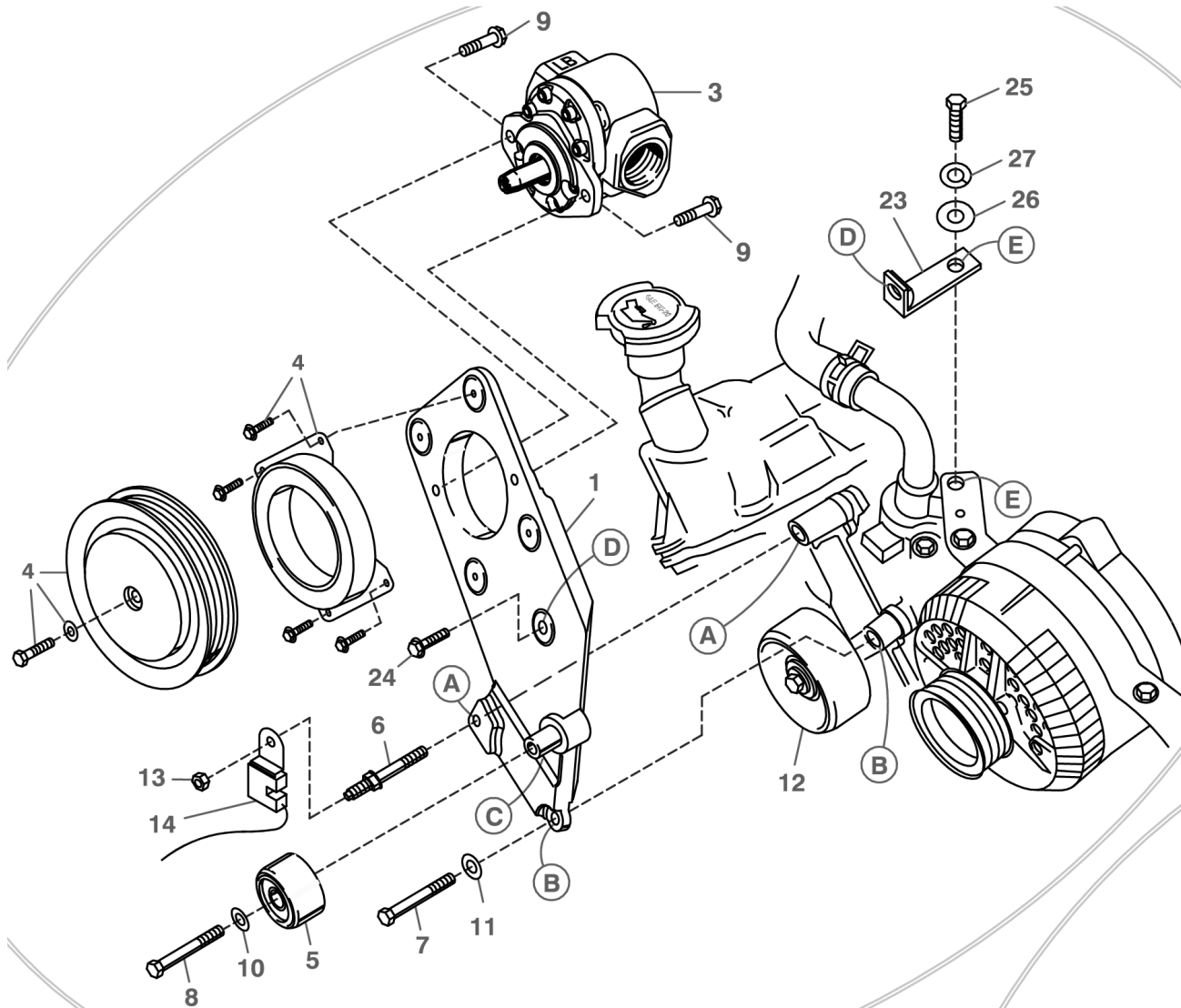


///HARPER INDUSTRIES, INC.

700582

Images and 2D Drawings





BELT DIAGRAM

Assembly Details:

Assembly Number: '700582'

Assembly Description: Clutch Pump Kit

Item	Assembly	Part Number	Description	Quantity	UOM	Order Multiple
3.2	No	720294	Pump 12gpm A Mount Parker PH14 304-9110-003 Side Port S20mb P12mb	1	EA	1
3.1	No	720295	Pump 17gpm A Mount Parker PH14 304-9110-004 Side Port S20mb P12mb	1	EA	1
3.4	No	720300	Pump 7gpm A Mount Parker PH14 304-9110-005 Side Port S16mb P12mb	1	EA	1
3.3	No	720301	Pump 9gpm A Mount Parker PH14 304-9110-006 Side Port S16mb P12mb	1	EA	1
4.2	No	740144	Clutch Assy 6 Groove A Mount Tapered 6" Warner 1417-11 12VDC	1	EA	1
4.1	No	742016	Clutch Assy 6 Groove A Mount Tapered 6" Ogura MA-MG01-1V MAE-MG129 12VDC	1	EA	1
1	No	711893	Pump Mount Bracket	1	EA	1
5	No	740151	Idler Assy 3" Flat	1	EA	1
7	No	110291	Bolt M8-1.25 X 60 HHCS Gr 10.9 Plain	1	EA	1
8	No	110210	Bolt M10-1.5 X 50 HHCS Gr 10.9 Zinc	1	EA	1
9	No	110440	Bolt 3/8-16 X 1.00 Wiz Flange Gr 5 Zinc	1	EA	1
10	No	110676	Washer 3/8" Flat Zinc	1	EA	1
11	No	110703	Washer M8 Flat Zinc	1	EA	1
15	No	742118	Serpentine Belt 6 Rib 137.3"	1	EA	1
17	No	110915	Tapered Plug 1.437" Silicone	1	EA	1
18	No	702159	Tapered Silicone Plug 1.625	1	EA	1
23	No	715027	Pump Bracket Support	1	EA	1

Item	Assembly	Part Number	Description	Quantity	UOM	Order Multiple
24	No	110161	Bolt 3/8-16 X 1.25 HHCS Wiz Gr 5 Zinc	1	EA	1
25	No	110932	Bolt M6-1 X 30 HHCS Gr 10.9 Zinc	1	EA	1
26	No	110673	Washer 1/4" Flat	1	EA	1
27	No	110667	Washer 1/4" Lock	1	EA	1