

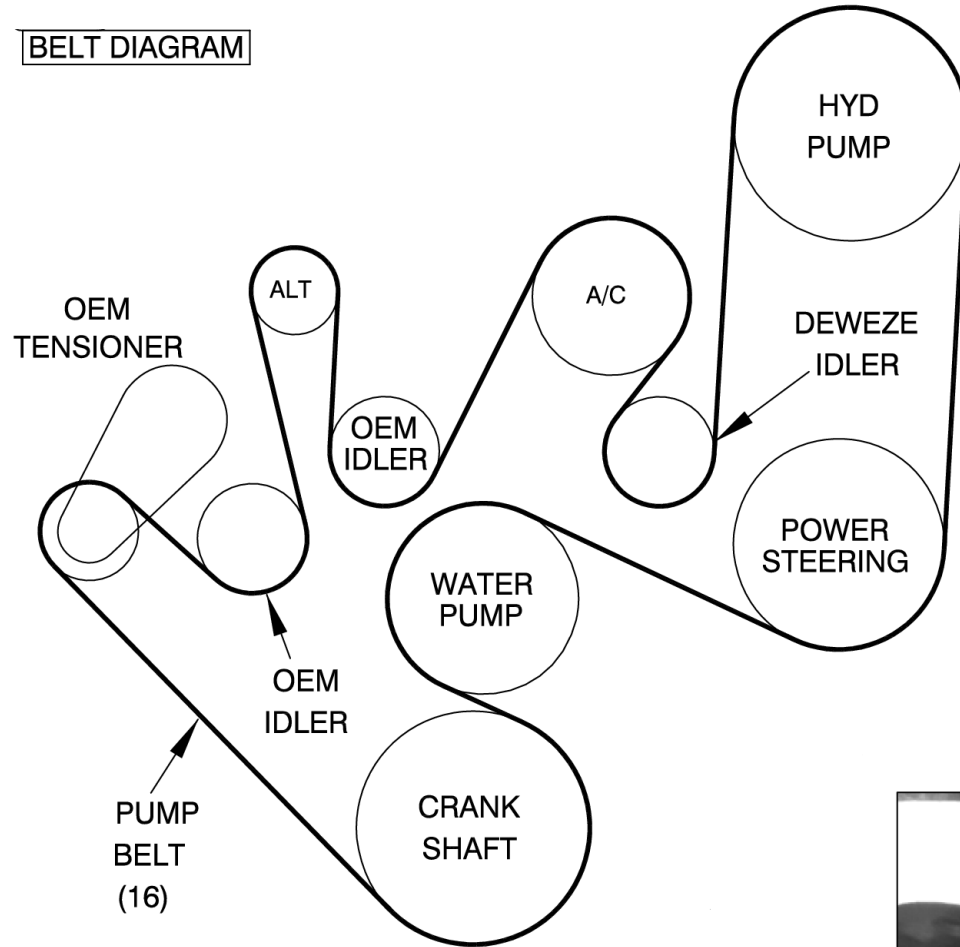
**///HARPER** INDUSTRIES, INC.

**700590**

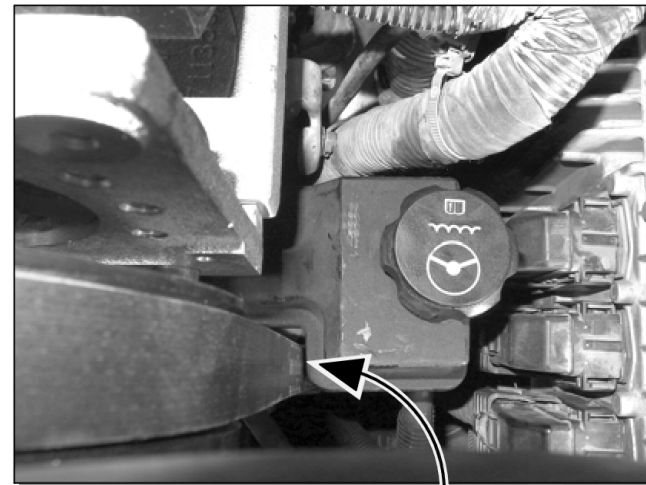
**Images and 2D Drawings**



**BELT DIAGRAM**

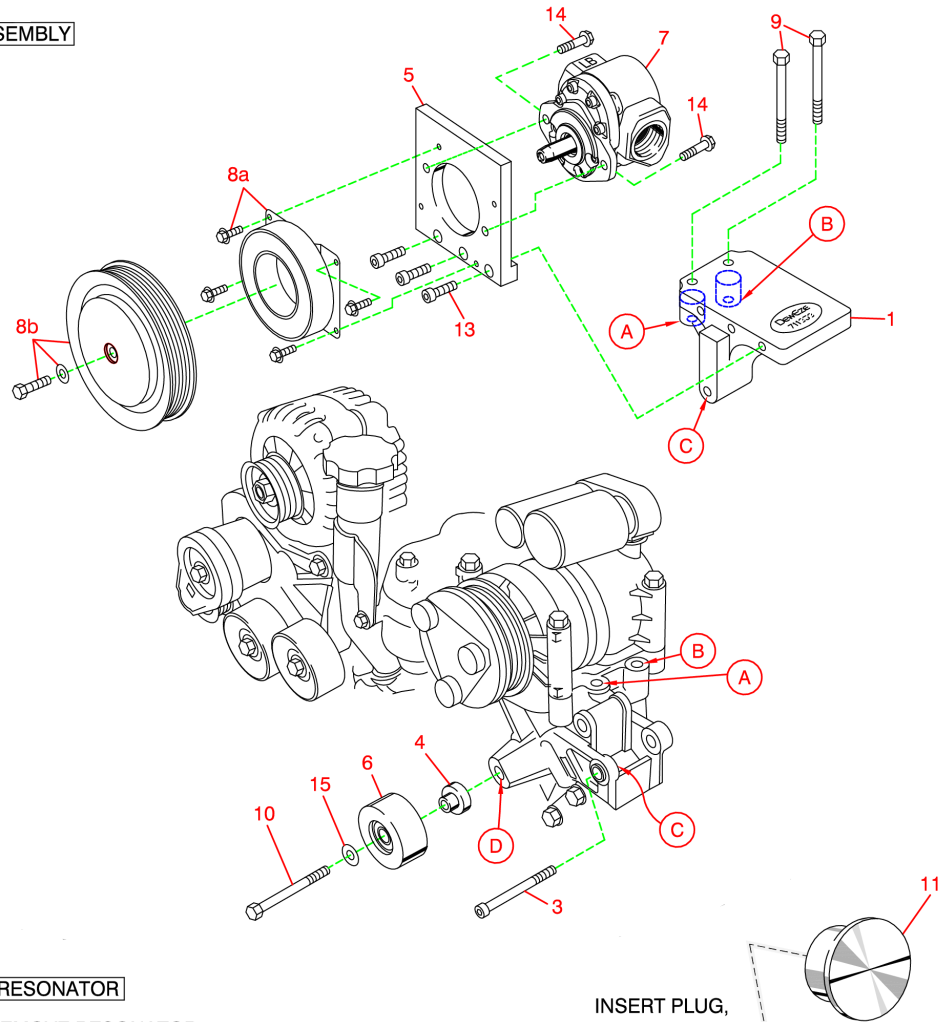


**BELT CLEARANCE**



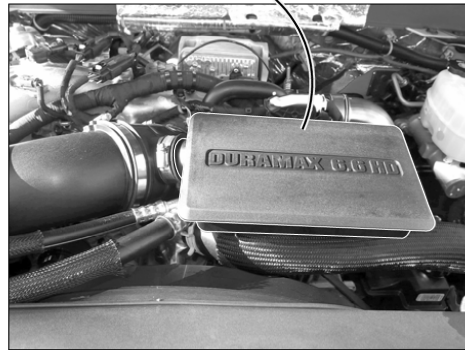
CHECK BELT CLEARANCE AT POWER STEERING RESERVOIR. ONLY IF THE BELT TOUCHES, FILE LIP ON RESERVOIR TILL THERE IS SUFFICIENT GAP.

ASSEMBLY

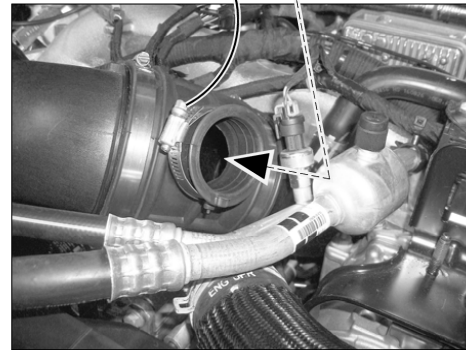


OEM RESONATOR

REMOVE RESONATOR



INSERT PLUG,  
TIGHTEN CLAMP



Assembly Details:

Assembly Number: '700590'

Assembly Description: Clutch Pump Kit

Item	Assembly	Part Number	Description	Quantity	UOM	Order Multiple
8a	No	HI-BLANK	Placeholder Dummy Part	1	EA	1
8b	No	HI-BLANK	Placeholder Dummy Part	1	EA	1
7.2	No	720294	Pump 12gpm A Mount Parker PH14 304-9110-003 Side Port S20mb P12mb	1	EA	1
7.1	No	720295	Pump 17gpm A Mount Parker PH14 304-9110-004 Side Port S20mb P12mb	1	EA	1
7.4	No	720300	Pump 7gpm A Mount Parker PH14 304-9110-005 Side Port S16mb P12mb	1	EA	1
7.3	No	720301	Pump 9gpm A Mount Parker PH14 304-9110-006 Side Port S16mb P12mb	1	EA	1
8.2	No	740144	Clutch Assy 6 Groove A Mount Tapered 6" Warner 1417-11 12VDC	1	EA	1
8.1	No	742016	Clutch Assy 6 Groove A Mount Tapered 6" Ogura MA-MG01-1V MAE-MG129 12VDC	1	EA	1
1	No	710099	Bracket Assy	1	EA	1
3	No	110188	Bolt M10-1.5 X 80 SHCS Gr 12.9	1	EA	1
4	No	711849	Idler Bushing	1	EA	1
5	No	716256	Pump Mount Bracket	1	EA	1
6	No	740350	Idler Assy	1	EA	1
9	No	110217	Bolt M10-1.5 X 70 HHCS Gr 10.9 Zinc	1	EA	1
10	No	110526	Bolt M10-1.5 X 40 HHCS Gr 10.9 Zinc	1	EA	1
11	No	716247	Air Tube Plug	1	EA	1
13	No	110395	Bolt 3/8-16 X 1.00 SHCS Plain	1	EA	1

Item	Assembly	Part Number	Description	Quantity	UOM	Order Multiple
14	No	110440	Bolt 3/8-16 X 1.00 Wiz Flange Gr 5 Zinc	1	EA	1
15	No	110676	Washer 3/8" Flat Zinc	1	EA	1
16	No	740361	Serpentine Belt 6 Rib 149.0"	1	EA	1