

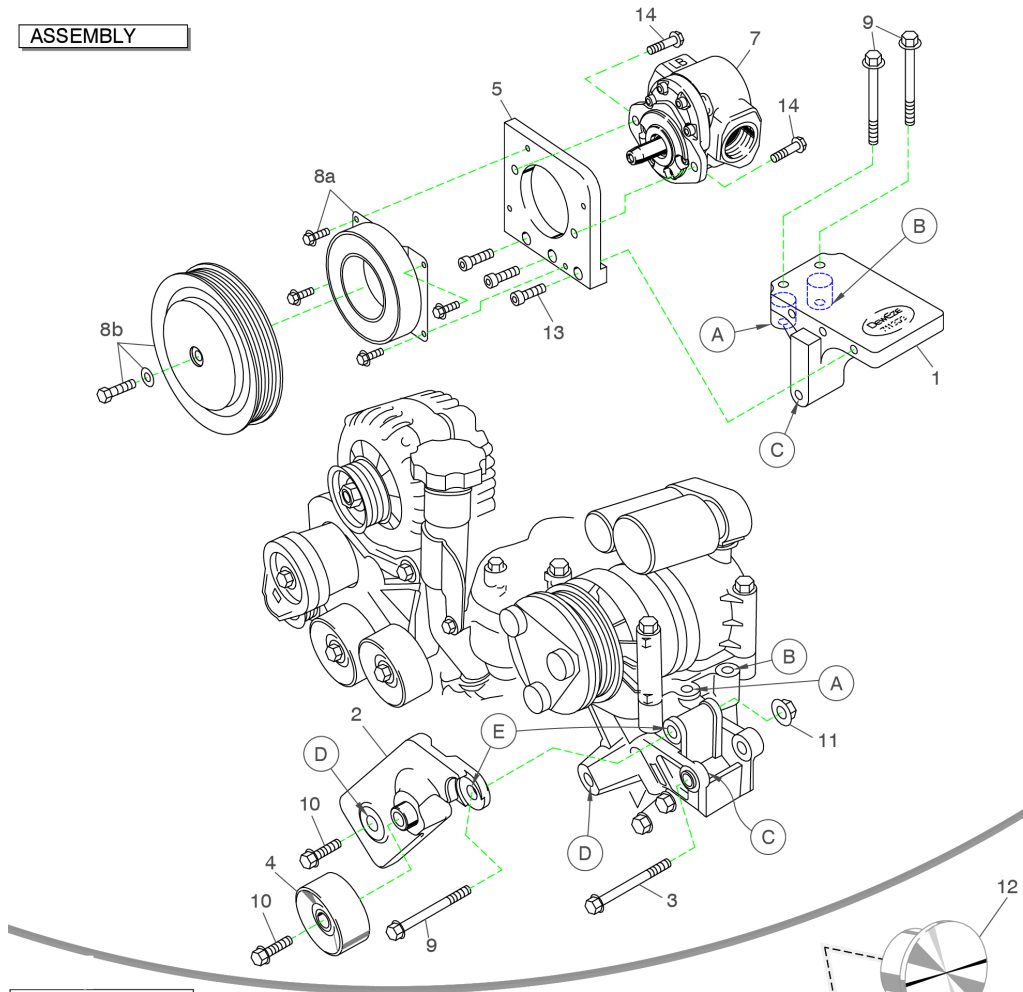
///HARPER INDUSTRIES, INC.

700599

Images and 2D Drawings

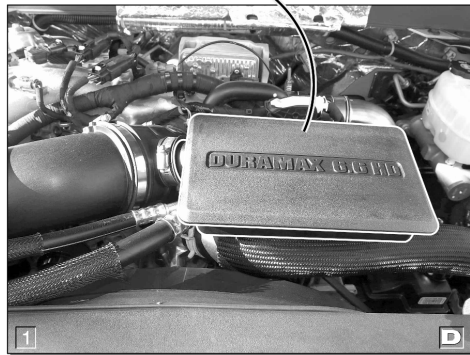


ASSEMBLY

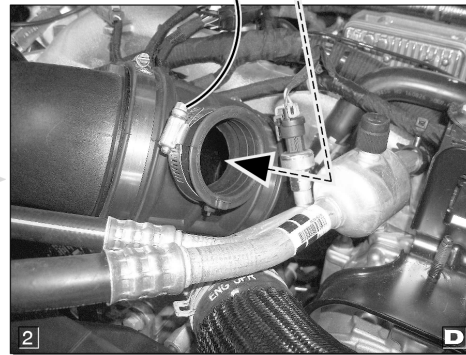


OEM RESONATOR

REMOVE RESONATOR



INSERT PLUG,
TIGHTEN CLAMP



Assembly Details:

Assembly Number: '700599'

Assembly Description: Clutch Pump Kit

Item	Assembly	Part Number	Description	Quantity	UOM	Order Multiple
7.2	No	720294	Pump 12gpm A Mount Parker PH14 304-9110-003 Side Port S20mb P12mb	1	EA	1
7.1	No	720295	Pump 17gpm A Mount Parker PH14 304-9110-004 Side Port S20mb P12mb	1	EA	1
7.4	No	720300	Pump 7gpm A Mount Parker PH14 304-9110-005 Side Port S16mb P12mb	1	EA	1
7.3	No	720301	Pump 9gpm A Mount Parker PH14 304-9110-006 Side Port S16mb P12mb	1	EA	1
8.2	No	740144	Clutch Assy 6 Groove A Mount Tapered 6" Warner 1417-11 12VDC	1	EA	1
8.1	No	742016	Clutch Assy 6 Groove A Mount Tapered 6" Ogura MA-MG01-1V MAE-MG129 12VDC	1	EA	1
1	No	710099	Bracket Assy	1	EA	1
2	No	716257	Idler Mount Bracket	1	EA	1
3	No	111074	Bolt M10-1.5 X 80 Flange Gr 10.9	1	EA	1
4	No	740294	Idler Assy 3" Flat StaMPed	1	EA	1
5	No	716256	Pump Mount Bracket	1	EA	1
9	No	111173	Bolt M10-1.5 X 70 Flange Gr 10.9 Zinc	1	EA	1
10	No	110953	Bolt M10-1.5 X 30 Hex Flange Gr 10.9 Zinc	1	EA	1
11	No	110265	Nut M10 X 1.50 Flange Zinc Non-serrated	1	EA	1
12	No	716247	Air Tube Plug	1	EA	1
13	No	110395	Bolt 3/8-16 X 1.00 SHCS Plain	1	EA	1
14	No	110440	Bolt 3/8-16 X 1.00 Wiz Flange Gr 5 Zinc	1	EA	1

Item	Assembly	Part Number	Description	Quantity	UOM	Order Multiple
15	No	740458	Serpentine Belt 6 Rib 140.1"	1	EA	1