

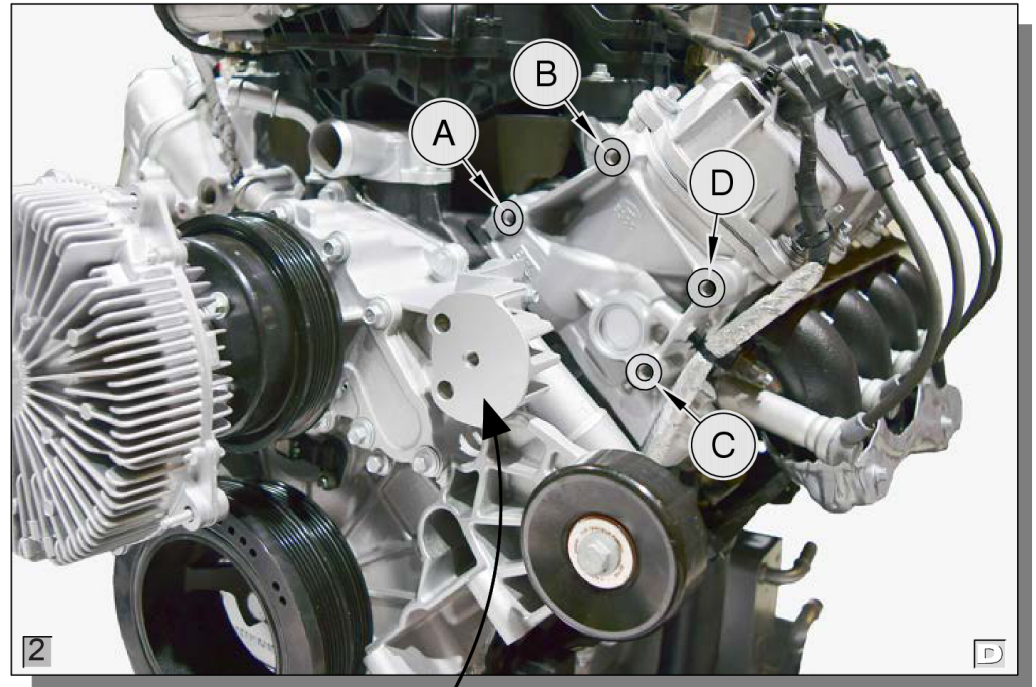
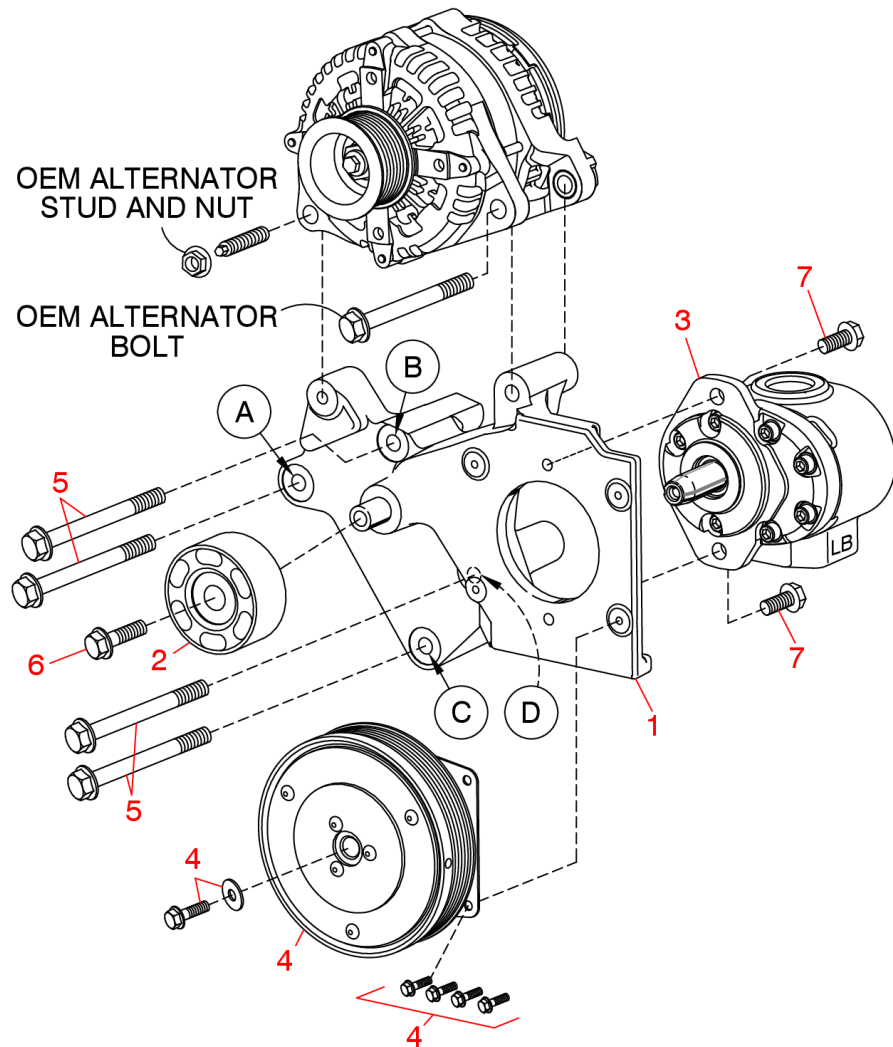
///HARPER INDUSTRIES, INC.

700609

Images and 2D Drawings



Component
Assembly



OEM tensioner does not need to be removed as shown in photo.

Assembly Details:

Assembly Number: '700609'

Assembly Description: Clutch Pump Kit

Item	Assembly	Part Number	Description	Quantity	UOM	Order Multiple
A	No	HI-BLANK	Placeholder Dummy Part	1	EA	1
B	No	HI-BLANK	Placeholder Dummy Part	1	EA	1
C	No	HI-BLANK	Placeholder Dummy Part	1	EA	1
D	No	HI-BLANK	Placeholder Dummy Part	1	EA	1
3.2	No	720294	Pump 12gpm A Mount Parker PH14 304-9110-003 Side Port S20mb P12mb	1	EA	1
3.1	No	720295	Pump 17gpm A Mount Parker PH14 304-9110-004 Side Port S20mb P12mb	1	EA	1
3.4	No	720300	Pump 7gpm A Mount Parker PH14 304-9110-005 Side Port S16mb P12mb	1	EA	1
3.3	No	720301	Pump 9gpm A Mount Parker PH14 304-9110-006 Side Port S16mb P12mb	1	EA	1
4.2	No	740144	Clutch Assy 6 Groove A Mount Tapered 6" Warner 1417-11 12VDC	1	EA	1
4.1	No	742016	Clutch Assy 6 Groove A Mount Tapered 6" Ogura MA-MG01-1V MAE-MG129 12VDC	1	EA	1
1	No	716266	Pump Mount Bracket	1	EA	1
2	No	740151	Idler Assy 3" Flat	1	EA	1
5	No	112107	Bolt M10-1.5 X 100 Flange Gr 10.9	1	EA	1
6	No	112072	Bolt M10-1.5 X 40 Flange Gr 10.9	1	EA	1
7	No	110440	Bolt 3/8-16 X 1.00 Wiz Flange Gr 5 Zinc	1	EA	1
8	No	740462	Serpentine Belt 6 Rib 99.4"	1	EA	1