



# INTERIOR LIGHTING


 Premium  
 Products  
 Only

 Premium  
 Products  
 Only

## EW0300 Series LED Interior Lighting

These surface mount rectangular LED interior lights are available in a variety of lengths and with either clear or frosted (diffused light) lenses. In addition the EW0351 features a modular design where multiple units can be connected together. Robust aluminum housings and concealed fasteners complete the package.

### Models

PART NO.	LENGTH	SWITCHED	VOLTAGE	AMPS	LUMENS	LENS
EW0310	4.5" Rectangle	No	12-24	0.1	125	Clear
EW0311	4.5" Rectangle	No	12	0.1	100	Frost
EW0351	14" Modular	No	12	0.5	300	Frost
<b>Premium Products</b>						
EW0360	5.4" Oval	No	12-24	0.5	400	Frost
EW0361	5.4" Oval	Yes	12-24	0.5	400	Frost
EW0370	7.3" Oval	No	12-24	0.6	575	Frost
EW0371	7.3" Oval	Yes	12-24	0.6	575	Frost

### Features and Benefits

- Surface mount with concealed fasteners (hardware included)
- Aluminum housing
- Clear or frosted lens options

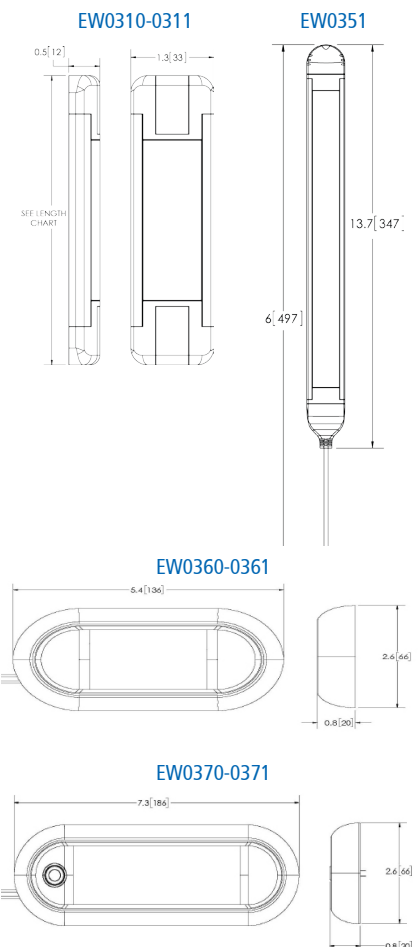
### Modular Option

- Modular design, connect up to four units with integrated bullet connectors (EW0351 only)



### Accessories

- EZ0351 Replacement bullet connectors (for use with EW0351 only)
- EZ0120 PIR Motion Sensor - 100° cone, adjustable sensitivity (automatically activates light when human movement is detected)
- EZ0121 - Interior push button switch, 12-24V
- EZ0122 - Interior touch switch with dimmer, 12-24V


 T 800-635-5900 | [orders@eccogroup.com](mailto:orders@eccogroup.com)