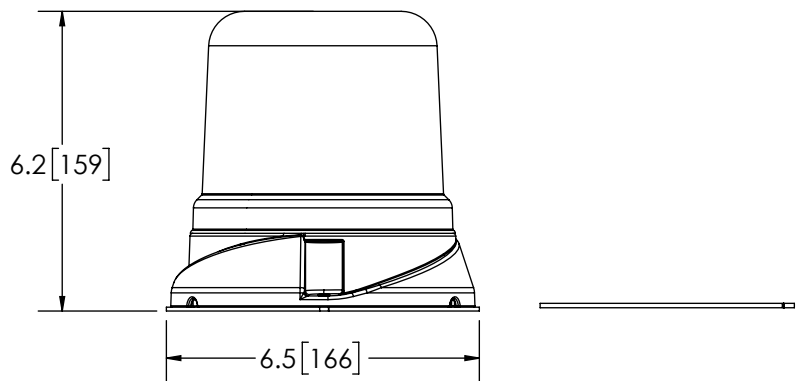
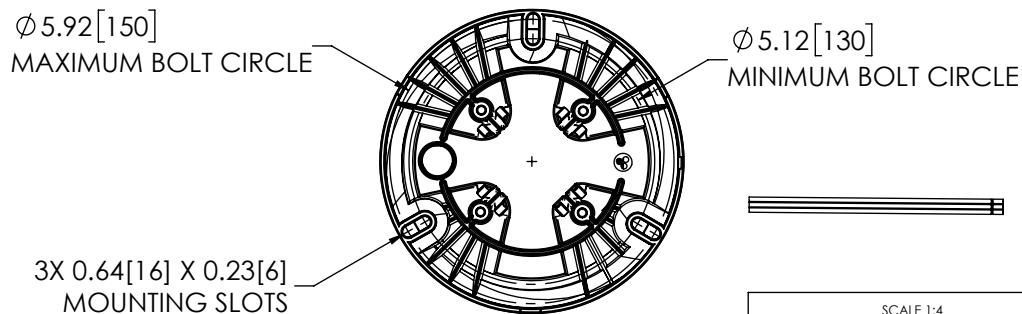


TOP VIEW



FRONT VIEW



**BOTTOM VIEW - BOTTOM GASKET
NOT SHOWN FOR CLARITY**

- NOTES:
 1. ROHS COMPLIANT
 2. DIMENSIONS IN INCHES [MILLIMETERS (FOR REFERENCE)]

REVISION HISTORY		
REV.	DESCRIPTION	DATE
B	REVISE PER P13027	2015-10-23
C	REVISE PER P13027	2017-08-07
D	REVISE PER P13027	2018-08-28

3-16 AWG WIRES
 RED - POSITIVE(+)
 BLACK - NEGATIVE(-)
 YELLOW - SPEED CONTROL(+)

SPECIFICATIONS

- CERTIFICATIONS: **CE**; ECE R10; SEE CHART; ; Reg 65 CertTA1-E9-00.1873; IP6K6D/ | P6K7D
 Note: Unique components, accessories, and hardware kits are not typically included in the Product Certification Test Protocols. Unless otherwise Specified, the Product Certifications referred to herein are predicated upon the base product model configuration.
- FLASH MODE: SINGLE : 125 ± 5 FLASHES PER MINUTE
 SINGLE : 75 ± 5 FLASHES PER MINUTE
- VOLTAGE (NOMINAL): 12-24 VDC
- VOLTAGE (EXTREME): 9-32 VDC
- CURRENT (PEAK): 2.08A (@ 12 VDC NOMINAL)
- POWER (MAXIMUM): 26.6W (@ 12 VDC NOMINAL)
- TEMPERATURE RANGE: -22°F (-30°C) TO 122°F (50°C)
- CONNECTION: 3-16 AWG. WIRES
- MOUNTING: FLANGE MOUNT
- BASE MATERIAL: ALUMINUM
- LENS MATERIAL: POLYCARBONATE
- PRODUCT WEIGHT: 2.53 LBS (1.14 Kg)

FG PRODUCT CHART				
FG P/N	COLOR	CA T13	SAE J845	ECE R65
7660A	AMBER	CLASS B	CLASS I	CLASS 1
7660B	BLUE	CLASS B	CLASS 2	-
7660G	GREEN	-	-	-
7660R	RED	CLASS B	CLASS I	CLASS 1

SCALE 1:4		APPROVALS	DATE
CAD GENERATED DRAWING DO NOT MANUALLY UPDATE. MODEL REFERENCED: B		DRAWN BY	ABD
		CHECKED	ABB
TOLERANCES ARE IN INCHES, AND MILLIMETERS TOLERANCES UNLESS OTHERWISE STATED ARE:		MECH. ENG.	JLA
		ELEC. ENG.	JES
MILLIMETERS DECIMALS XX. ± 1.0mm XX.X ± 0.5mm		TEST ENG.	JRT
		SALES	ARS
INCHES DECIMALS X.X ± 0.1 X.XX ± 0.04 X.XXX ± 0.02		2018-07-26	
		2018-07-27	
ANGLES ± 0.5° FRACTIONS ± 1/64		2018-07-26	
		2018-08-01	
THIRD ANGLE PROJECTION		2018-07-27	
		2018-07-26	

LED HYBRID BEACON, 12-24VDC

CUSTOMER PART NO. **SEE CHART** PRODUCT SERIES: **7660**

SIZE: **A** DWG. NO. **7660X** REV. **D**

Electronically Controlled Use Latest Copy SHEET 1 OF 1 Project: 08022 Date Created: 2008-06-23

NON DISCLOSURE AGREEMENT
 THIS DRAWING AND THE DESIGN IT DISCLOSES ARE THE PRIVATE PROPERTY OF ELECTRONIC CONTROLS CO., AND IS ISSUED IN CONFIDENCE FOR ENGINEERING INFORMATION ONLY. THE DRAWING AND / OR DESIGN MAY NOT BE USED, COPIED, REPRODUCED, OR OTHERWISE DISCLOSED IN PART OR AS A WHOLE TO OUTSIDERS OR USED FOR ANY OTHER PURPOSE WITHOUT THE PRIOR WRITTEN CONSENT OF ELECTRONIC CONTROLS CO. THE DRAWING IS SUBJECT TO RECALL AT ANY TIME. YOUR POSSESSION OF THIS DOCUMENT CONSTITUTES ACCEPTANCE OF THESE TERMS. © 2008 ELECTRONIC CONTROLS CO.