



220100

220200

► Firebolt | Strobe Beacon

FEATURES

- Automatic adjustment to function at multi-voltages
- Polycarbonate base available in permanent and magnetic models

APPROVALS

- 5-joule: SAE J845 Class 3 (SAE J1318 Class 3, 2009)

Firebolt.

For dependable warning at an affordable price, count on the Firebolt line of strobe beacons. All models feature modular construction for easy installation and maintenance. Power supplies are moisture and vibration resistant, and will automatically adjust to function at multi-voltages (see specs.). The impact-resistant, polycarbonate dome and base provide added durability in heavy-duty applications. Permanent and magnetic mount models are available and include the necessary mounting hardware.

Firebolt models are available in 2-joule (single flash) and 5-joule (double flash) versions. The powerful 5-joule version with U-shaped strobe tube meets SAE Class 3. (The 2-joule version is available in 115VAC)

Firebolt Plus

Firebolt Plus is available in a 2-joule (single flash) version and features a replaceable flash tube. The modular construction allows the flash tube to be easily replaced without the use of tools.

Specify Model

Firebolt

2J, 2W, 12-72VDC, single flash

220100-02 Permanent mount, Amber; -03(Blue); -04(Red); -05(Clear); -06(Green)

210873-02 Magnetic mount, Amber; -03(Blue); -04(Red); -05(Clear); -06(Green)

2J, 2W, 115VAC, single flash

212356-02 Permanent mount, Amber; -03(Blue); -04(Red); -05(Clear); -06(Green)

5J, 5.4W, 12-48VDC, double flash

220105-02 Permanent mount, Amber; -03(Blue); -04(Red); -05(Clear)

220110-02 Magnetic mount, Amber

Firebolt Plus

2J, 2W, 12-72VDC, single flash

220200-02 Permanent mount, Amber; -03(Blue); -04(Red); -05(Clear); -06(Green)

220208-02 Magnetic mount, Amber; -03(Blue); -04(Red); -05(Clear); -06(Green)

Accessories and Kits

210374 Kit, wiring, 10-ft, strobes

210375 Kit, wiring, 20-ft, strobes

210376 Kit, wiring, (2) strobes

210377 Kit, wiring, 30-ft, strobes

210539 "L" mounting bracket

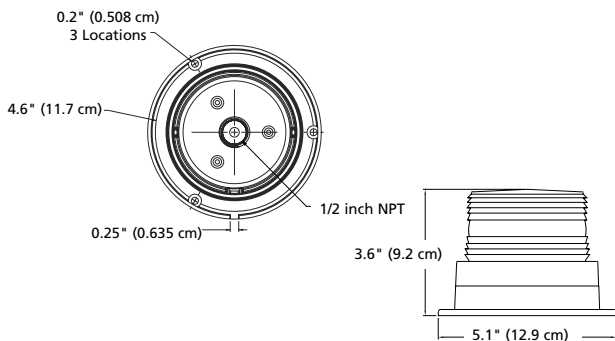
210728 Kit, magnetic mount with cigarette plug

210850 Adapter, pipe mount, 3/4"

210881 Adapter, pipe mount, 1/2"

210862 Kit, mounting self-adhesive

211676 Dome guard assembly, Chrome



Specifications

Flash Rate	60/min. (2J) 65/min. (5J)
Voltage	12-72 VDC (2J) 12-48 VDC (5J) 115 VAC (AC model)
Joules	2J (single flash) 5J (double flash)
Power	2W (single flash) 5.4W (double flash)
Amp Draw	0.24 @ 12V to 0.04 @ 72V (2 joule) 0.65 @ 12V to 0.17 @ 48V (5 joule) 0.02 @ 115V (AC model)

Physical Specifications

Height	3.6 in (91 mm)
Diameter	5.0 in (127 mm)

Ship Weight

0.7 lbs (0.3 kg)



210374



210375



210376



210377



210728



210862



210850



210881



211676



210539



Firebolt is a trademark of Federal Signal Corporation.

©2015 Federal Signal Corporation. M7117 | 915