



MPS300U



MPS1200U



MPS600U

▶ MicroPulse™ Ultra | External Mount/Perimeter Lights

FEATURES

- Superior warning with high-powered LEDs
- Low-profile design offers wider range of mounting locations
- 18 (MPS3U and MPS1220U), 23 (MPS6U and MPS620U) or 25 (MPS12U) selectable flash patterns
- Suitable for external and/or internal mounting applications
- Includes black bezel and gasket, optional bezels available in Chrome or White
- Single/multi-unit synchronization
- Available in single, split, and dual color models
- Steady burn models are available for use with the Pathfinder Siren or other external flashers
- Three-year warranty

APPROVALS

- All models are IP67 rated, moisture and dust proof

MicroPulse Ultra 3

- SAE J845, Class 1 (Amber, Red, Blue, White)
- SAE J595, Class 1 (Amber, Red, Blue, White)

MicroPulse Ultra 6 — Split and Dual Color

- SAE J845, Class 1 (Amber, Red, Blue)
- SAE J595, Class 1 (Amber, Red, Blue)

MicroPulse Ultra 12 — Split and Dual Color

- SAE J845, Class 1 (Amber, Red)
- SAE J595, Class 1 (Amber, Red)

Highly Effective Ultra Slim Warning Light

MicroPulse™ Ultra models have a low-profile design that offers a wider range of mounting options to fit various applications. The advanced high-output LED lighthouse can be programmed to operate as a single unit or in synchronization with multiple MicroPulse lighthouses. Built-in flash patterns enable multiple vehicle perimeter lights to be either synchronized in the same pattern or in opposite sequence.

MicroPulse Ultra Steady Burn models are intended to be flashed with the Pathfinder Siren or other external flasher. The combination of the Steady Burn models and the Pathfinder Siren allow the Pathfinder to control lights around the vehicle by utilizing flash patterns in the siren, syncing and alternating light heads, and dimming light heads.

Built to Stand Up to the Most Punishing Conditions

The MicroPulse Ultra lens is made of UV resistant polycarbonate to protect against harsh conditions. Models include a fully encapsulated water-proof housing, which provides a barrier against moisture and condensation. All MicroPulse Ultra perimeter lights are backed by Federal Signal's comprehensive three-year warranty.

A Versatile Solution for Supplemental Warning Light Application

Suitable for external and/or internal mounting applications, the MicroPulse Ultra comes in many colors, including Amber, Blue, Green, Red and White, as well as split-color and dual-color combinations. Models come standard with a black bezel and are also available with an optional chrome or white bezel.


MicroPulse Ultra is only 0.35" thick


MicroPulse Ultra Compliance Chart						
MPS300U						
Color	J845	J845 Coverage (MPS3000U)	J595 Class	CA T13 Class	NFPA	
					Zone	No. of Devices (Zone)
Amber*	1	≥50°	1	B	Lower	2
Red	1	≥60°	1	B	Lower	2
Blue	1	≥60°	1	B	Lower	3
White*	1	≥50°	1	N/A	Lower	1

*Meets SAEJ595 Class1 in vertical and horizontal orientation.

MPS600U							
Color	J845	J845 Coverage (MPS600U)	J845 Coverage (MPS620U)	J595 Class	CA T13 Class	NFPA	
						Zone	No. of Devices (Zone)
Amber	1	>70°	>50°	1	B	Lower	1
Red	1	70°	>60°	1	B	Lower	1
Blue	1	>60°	>50°	1	B	Lower	3
White	1	> 70°	>50°	1	N/A	N/A	N/A

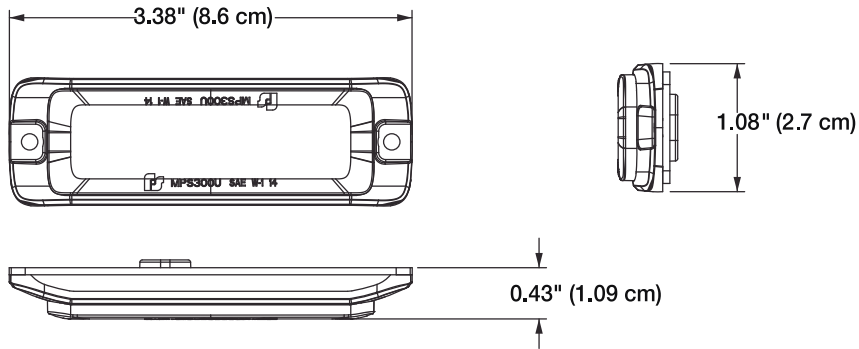
MPS1200U							
Color	J845	J845 Coverage (MPS1200U)	J845 Coverage (MPS1220U)	J595 Class	CA T13 Class	NFPA	
						Zone	No. of Devices (Zone)
Amber	1	≥80°	≥70°	1	B	Lower	1
Red	1	≥80°	≥70°	1	B	Lower	1
Blue	1	≥70°	≥65°	1	B	N/A	N/A
White	1	≥80°	≥65°	1	N/A	N/A	N/A

Note: Not all flash patterns meet specifications.

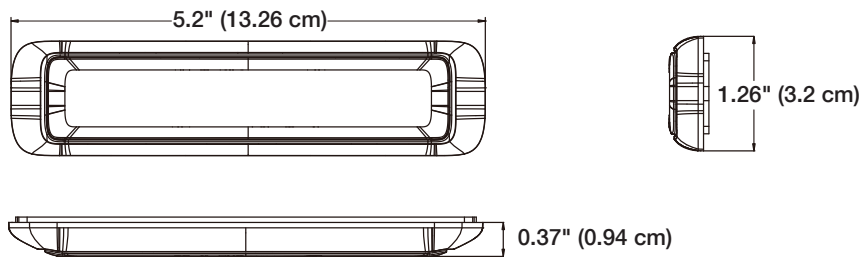
SPECIFICATIONS

Specifications	MPS300U	MPS600U / MPS620U	MPS1200U / MPS1220U
Voltage	12-24 VDC	12-24 VDC	12-24 VDC
Current Draw	0.2 Amps at 12 VDC 0.11 Amps at 24 VDC	0.79 Amps at 12 VDC 0.45 Amps at 24 VDC	1.51 Amps at 12 VDC 0.86 Amps at 24 VDC
Operating temp	-40°C to 80°C	-40°C to 80°C	-40°C to 80°C
Physical Specifications			
Height	1.08 in (2.7 cm)	1.26 in (3.2 cm)	1.91 in (4.83 cm)
Length	3.38 in (8.6 cm)	5.2 in (13.26 cm)	5.25 in (13.34 cm)
Depth	0.43 in (1.09 cm)	0.37 in (0.94 cm)	0.45 in (1.14 cm)
Ship Weight			
	0.5 lbs (0.23 kg)	0.75 lbs (0.34 kg)	1.0 lbs (0.45 kg)

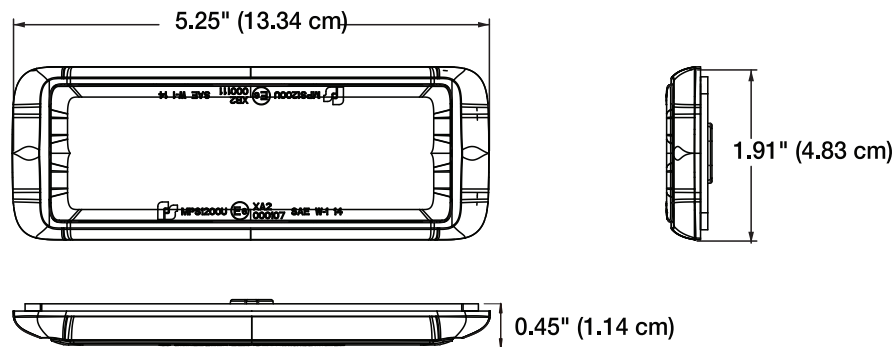
MPS300U



MPS600U



MPS1200U



HOW TO ORDER

Select Model

MicroPulse Ultra 3, Surface Mount, 12/24 VDC, Clear Lens

MPS300U-A	3-LED light head, Amber LED
MPS300U-B	3-LED light head, Blue LED
MPS300U-R	3-LED light head, Red LED
MPS300U-W	3-LED light head, White LED

MicroPulse Ultra 3, Surface Mount, 12/24 VDC, Colored Lens

MPS302U-A	3-LED light head, Amber LED, Amber lens
MPS302U-B	3-LED light head, Blue LED, Blue lens
MPS302U-R	3-LED light head, Red LED, Red lens

MicroPulse Ultra 6, Split Color, Surface Mount, 12/24 VDC, Clear Lens

MPS600U-AA	6-LED light head, (6) Amber LED
MPS600U-BB	6-LED light head, (6) Blue LED
MPS600U-RR	6-LED light head, (6) Red LED
MPS600U-GG	6-LED light head, (6) Green LED
MPS600U-WWW	6-LED light head, (6) White LED
MPS600U-WA	6-LED light head, (3) White LED / (3) Amber LED
MPS600U-BA	6-LED light head, (3) Blue LED / (3) Amber LED
MPS600U-BW	6-LED light head, (3) Blue LED / (3) White LED
MPS600U-BR	6-LED light head, (3) Blue LED / (3) Red LED
MPS600U-RW	6-LED light head, (3) Red LED / (3) White LED
MPS600U-RA	6-LED light head, (3) Red LED / (3) Amber LED

Select Model

MicroPulse Ultra 6, Dual Color, Surface Mount, 12/24 VDC, Clear Lens

MPS620U-BA	12-LED light head, (6) Blue LED / (6) Amber LED
MPS620U-BR	12-LED light head, (6) Blue LED / (6) Red LED
MPS620U-BW	12-LED light head, (6) Blue LED / (6) White LED
MPS620U-RA	12-LED light head, (6) Red LED / (6) Amber LED
MPS620U-RW	12-LED light head, (6) Red LED / (6) White LED
MPS620U-WA	12-LED light head, (6) White LED / (6) Amber LED

MicroPulse Ultra 6, Single Color, Surface Mount, 12/24 VDC, Colored Lens

MPS602U-AA	6-LED light head, Amber LED, Amber lens
MPS602U-BB	6-LED light head, Blue LED, Blue lens
MPS602U-RR	6-LED light head, Red LED, Red lens

MicroPulse Ultra 12, Split Color, Surface Mount, 12/24 VDC, Clear Lens

MPS1200U-AA	12-LED light head, (12) Amber LED
MPS1200U-BB	12-LED light head, (12) Blue LED
MPS1200U-GG	12-LED light head, (12) Green LED
MPS1200U-RR	12-LED light head, (12) Red LED
MPS1200U-BR	12-LED light head, (6) Blue LED / (6) Red LED
MPS1200U-BW	12-LED light head, (6) Blue LED / (6) White LED
MPS1200U-RW	12-LED light head, (6) Red LED / (6) White LED
MPS1200U-RA	12-LED light head, (6) Red LED / (6) Amber LED
MPS1200U-BA	12-LED light head, (6) Blue LED / (6) Amber LED
MPS1200U-WA	12-LED light head, (6) White LED / (6) Amber LED

MicroPulse Ultra 12, Dual Color, Surface Mount, 12/24 VDC, Clear Lens

MPS1220U-BA	24-LED light head, (12) Blue / (12) Amber
MPS1220U-BR	24-LED light head, (12) Blue / (12) Red
MPS1220U-BW	24-LED light head, (12) Blue / (12) White
MPS1220U-RA	24-LED light head, (12) Red / (12) Amber
MPS1220U-RW	24-LED light head, (12) Red / (12) White
MPS1220U-WA	24-LED light head, (12) White / (12) Amber

MicroPulse Ultra 12, Single Color, Surface Mount, 12/24 VDC, Colored Lens

MPS1202U-AA	12-LED light head, AmberLED, Amber lens
MPS1202U-BB	12-LED light head, Blue LED, Blue lens
MPS1202U-GG	12-LED light head, Green LED, Green lens
MPS1202U-RR	12-LED light head, Red LED, Red lens

MicroPulse Ultra Steady Burn, Dual Color, Clear lens Surface Mount, 12/24 VDC

MPS620UX-BW	12-LED light head, (6) Blue / (6) White
MPS620UX-RW	12-LED light head, (6) Red / (6) White
MPS620UX-BA	12-LED light head, (6) Blue / (6) Amber
MPS620UX-BR	12-LED light head, (6) Blue / (6) Red
MPS620UX-RA	12-LED light head, (6) Red/ (6) Amber
MPS1220UX-BW	24-LED light head, (12) Blue / (12) White
MPS1220UX-RW	24-LED light head, (12) Red / (12) White
MPS1220UX-RB	24-LED light head, (12) Red/ (12) Blue

Accessories

MPSUM3-1	Chrome bezel for (1) MicroPulse Ultra 3 Series light head
MPSUM3-2	White bezel for (1) MicroPulse Ultra 3 Series light head
MPSUM6-1	Chrome bezel for (1) MicroPulse Ultra 6 Series light head
MPSUM6-2	White bezel for (1) MicroPulse Ultra 6 Series light head
MPSUM12-1	Chrome bezel for (1) MicroPulse Ultra 12 Series light head
MPSUM12-2	White bezel for (1) MicroPulse Ultra 12 Series light head



MicroPulse is a trademark of Federal Signal Corporation.

©2019 Federal Signal Corporation. M4067 I 719