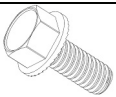



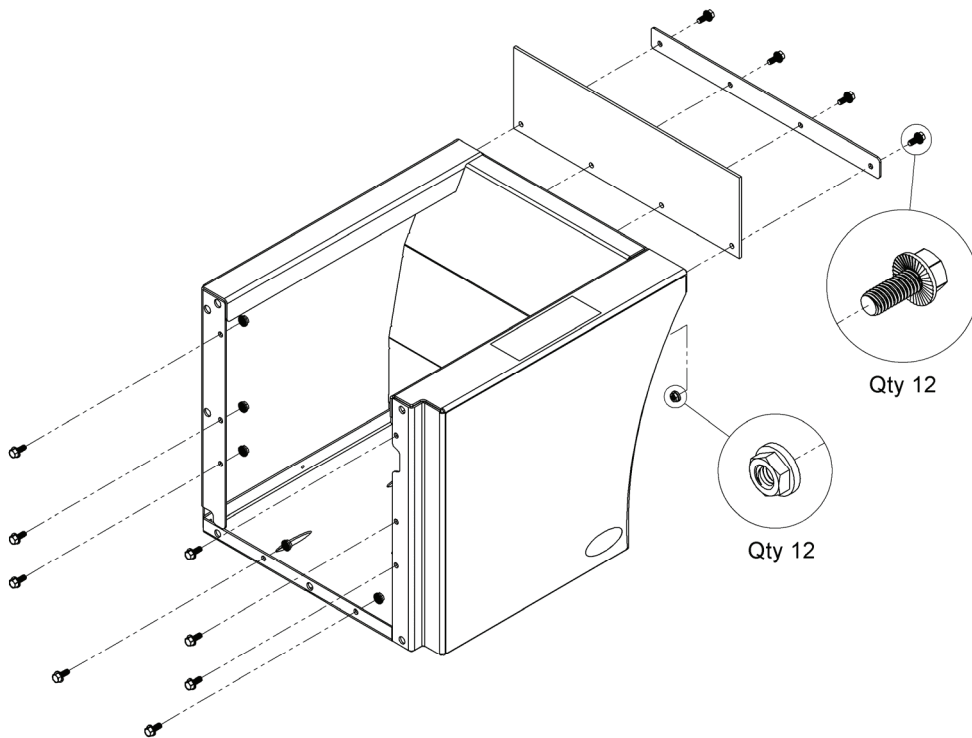
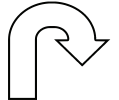
Installation Guide for Storage Fenders

Installed on any ITD Pro Series Tool Box

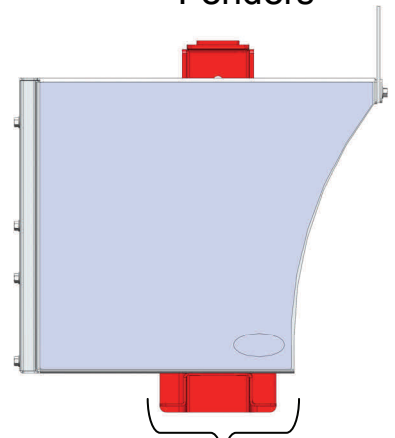
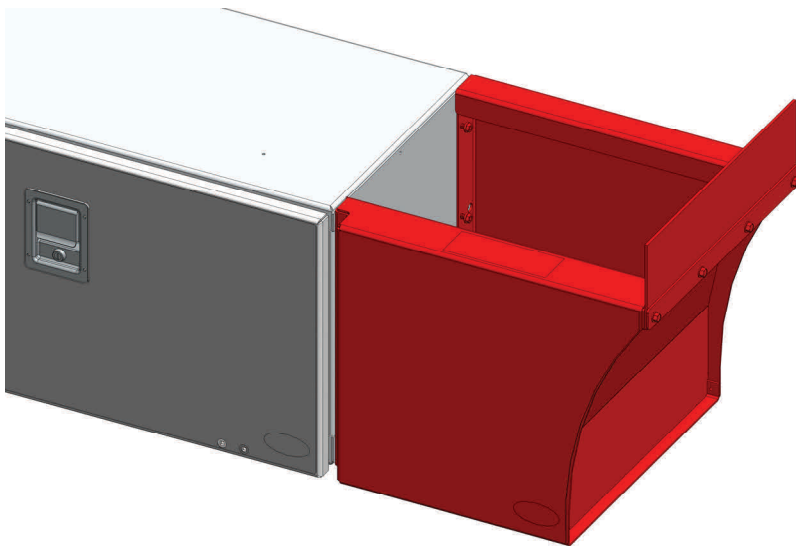
Below is a list of parts you will need to install a Storage Fender

	Description	Quantity
	5/16"-18 x 3/4" Flanged Bolt	12
	5/16"-18 Flanged Nut	12

Parts List



Quick Mount
is required
on all Storage
Fenders



Mount to be located in
the rear 1/2 of the
Storage Fender.

To see the full line of ITD Pro Series Tool Boxes & Accessories visit us at:
www.intheditch.com or call 1-888-993-4824



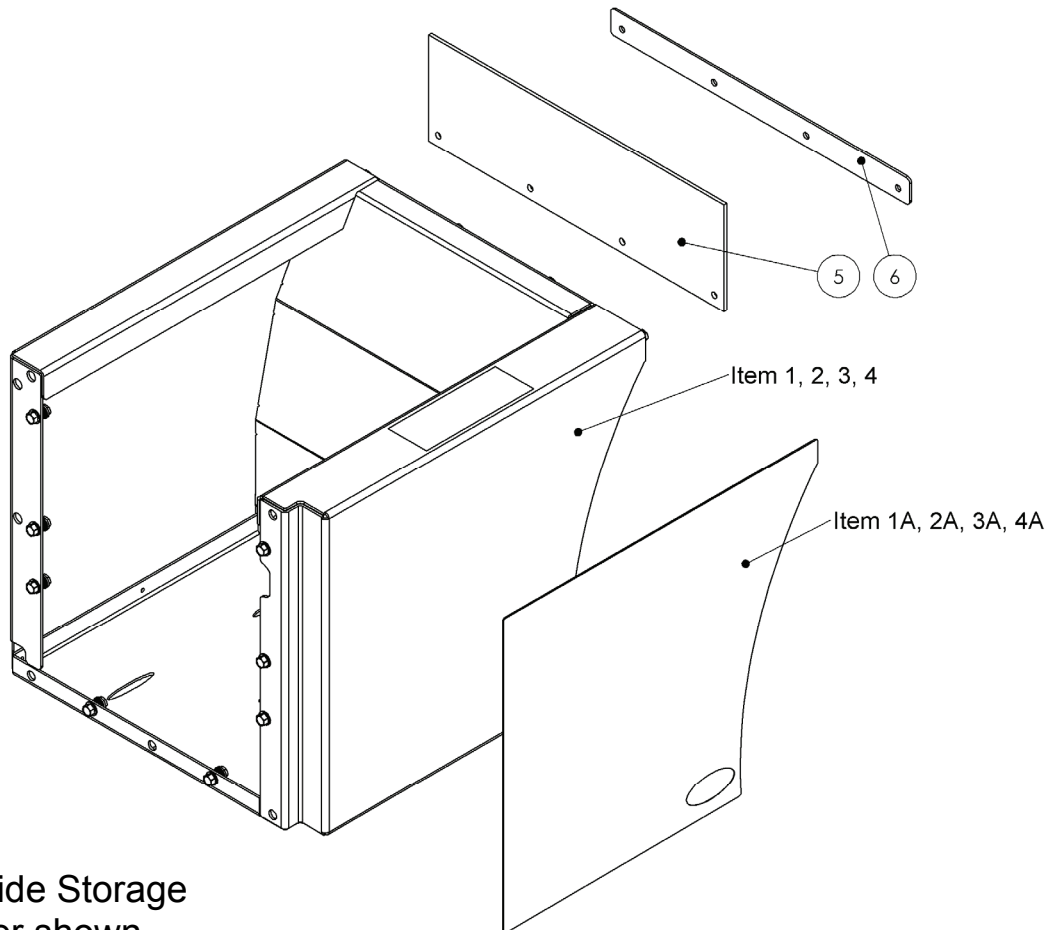
ITD0242

Installation Guide for Storage Fenders

Installed on any ITD Pro Series Tool Box

Parts List:

Item #	Qty	Description	Part #
1	(1)	Storage Fender 42.75" (Left or Right) SS installed	ITD1333 (R or L)
1A	(1)	SS Panel for 42.75" Storage Fender	ITD1335 (R or L)
2	(1)	Storage Fender 34.75" (Left or Right) SS installed	ITD1329 (R or L)
2A	(1)	SS Panel for 34.75" Storage Fender	ITD1334 (R or L)
3	(1)	Storage Fender 24.25" (Left or Right) SS installed	ITD1327 (R or L)
3A	(1)	SS Panel for 24.25" Storage Fender	ITD1308 (R or L)
4	(1)	Storage Fender 16.75" (Left or Right) SS installed	ITD1328 (R or L)
4A	(1)	SS Panel for 16.75" Storage Fender	ITD1332 (R or L)
5	(1)	Rubber Guard for all storage fenders	ITD7117 (R or L)
6	(1)	Rubber Guard backing plate for all storage fenders	ITD6331



Left side Storage
Fender shown.

To see the full line of ITD Pro Series Tool Boxes & Accessories visit us at:
www.intheditch.com or call 1-888-993-4824



ITD0242