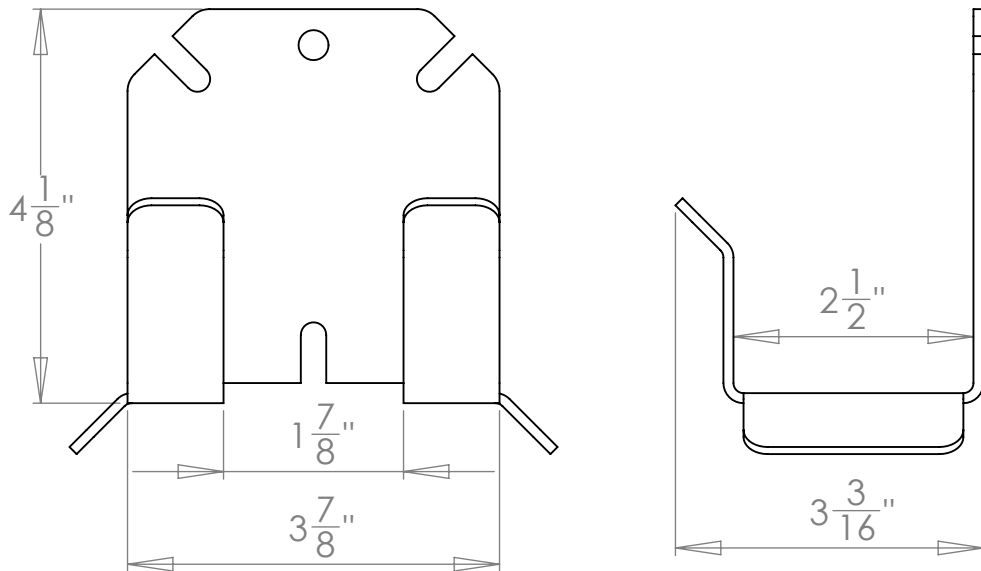


ITD1137 & ITD1139  
Steel & Aluminum



ITD1136 & ITD1138  
Steel & Aluminum

In The Ditch Towing Products	
PART NAME Cord/Hammer Brackets	
SIZE PART NO.	
<b>A</b>	ITD1136, ITD1137, ITD1138, ITD1139
SHEET SCALE 1:2	SHEET 1 of 1