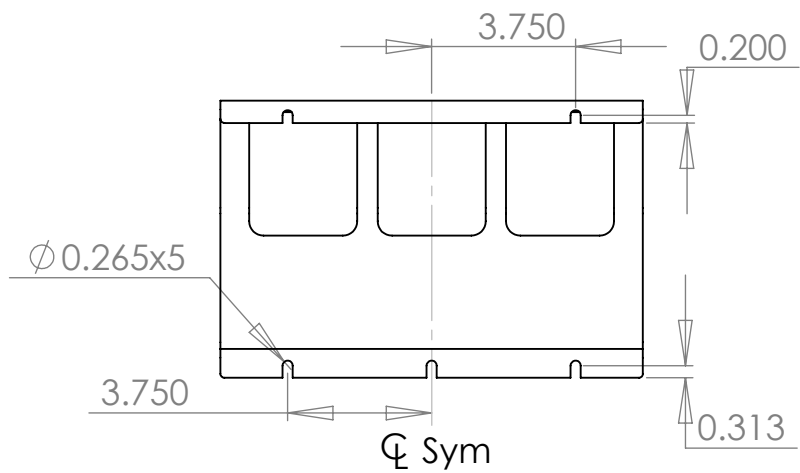
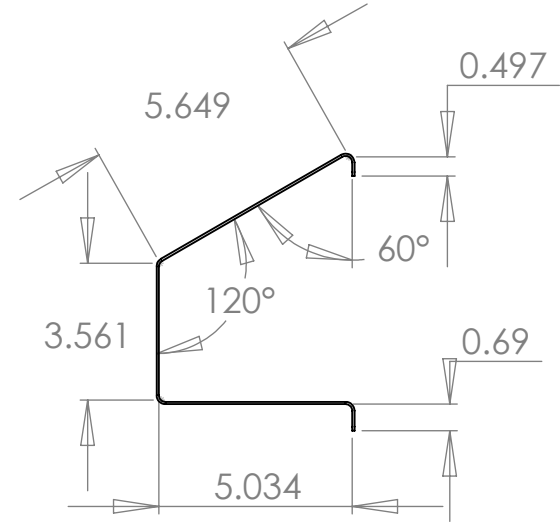
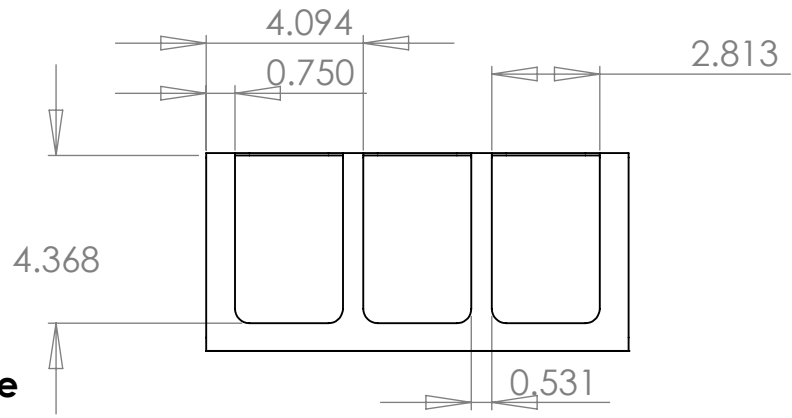


Bend bad side up bend 1



REV.	DESCRIPTION	DATE	APPROVED
------	-------------	------	----------



.060 5052 Aluminum Sheet

DRAWN BY: KBH
 DATE: 12/1/2008
 UNLESS OTHERWISE SPECIFIED:
 DIMENSIONS ARE IN INCHES
 TOLERANCES:
 FRACTIONAL $\pm 1/16"$
 ANGULAR: MACH $\pm 0.25^\circ$ BEND $\pm 1.5^\circ$
 TWO PLACE DECIMAL $\pm 0.020"$
 THREE PLACE DECIMAL $\pm 0.005"$
 MATERIAL: See BOM
 DO NOT SCALE DRAWING

Inventive LLC
 In The Ditch Towing Products
 PART NAME
3 Can Rect. QT Bottle Mount
 SIZE PART NO.
A ITD1165
 SHEET SCALE 1:5
 SHEET 1 of 1