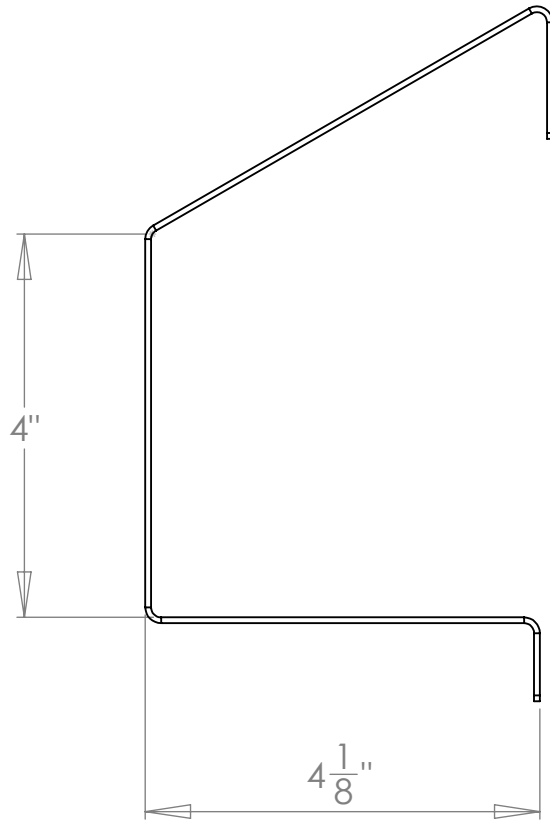
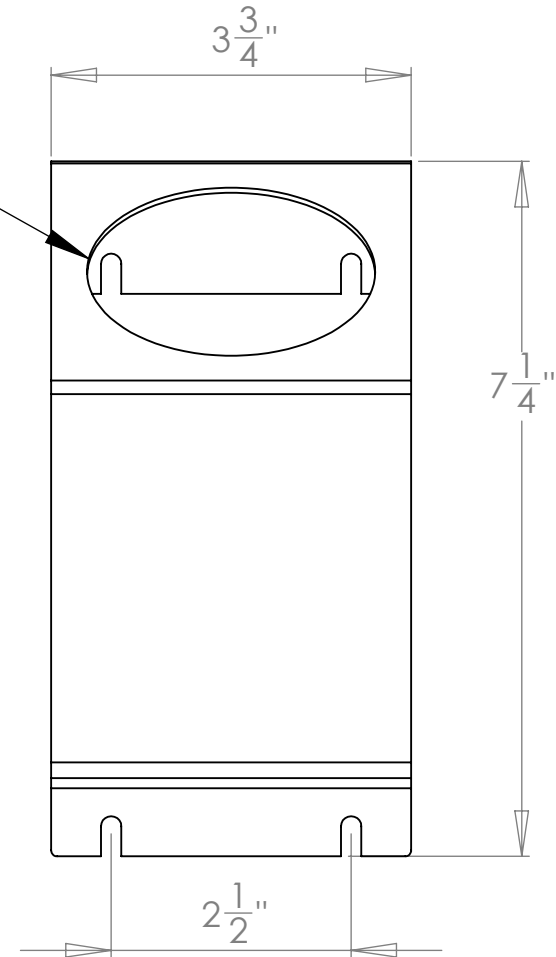


REV.	DESCRIPTION	DATE	APPROVED
------	-------------	------	----------



Fits up to a 3" can.



.050" 5052 Aluminum Sheet

DRAWN BY: KBH DRAWN DATE: 7/31/2012

UNLESS OTHERWISE SPECIFIED:

DIMENSIONS ARE IN INCHES
 TOLERANCES:
 FRACTIONAL ± 1/16"
 ANGULAR: MACH ± 0.25° BEND ± 1.5°
 TWO PLACE DECIMAL ± 0.020"
 THREE PLACE DECIMAL ± 0.005"
 MATERIAL: See BOM

DO NOT SCALE DRAWING

Inventive LLC
 In The Ditch Towing Products

PART NAME
Aerosol Single Can Mount

SIZE PART NO.

A ITD1295

SHEET SCALE 1:5

SHEET 1 of 1