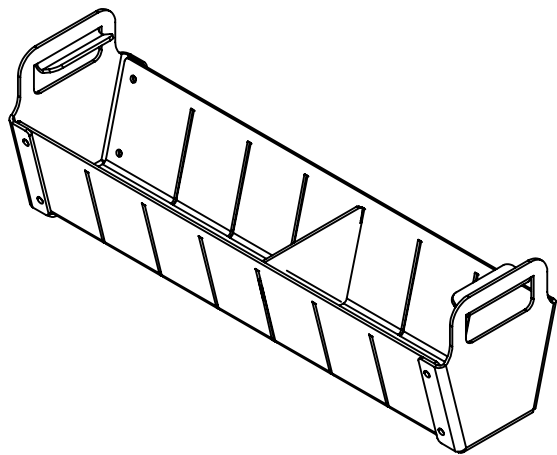
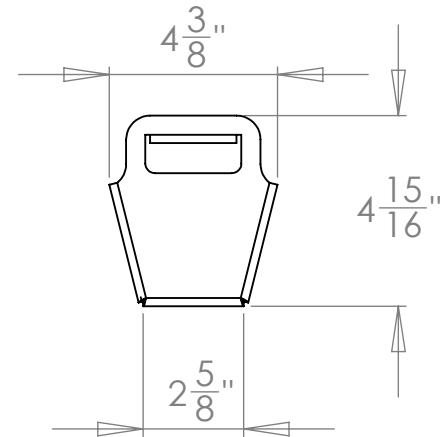
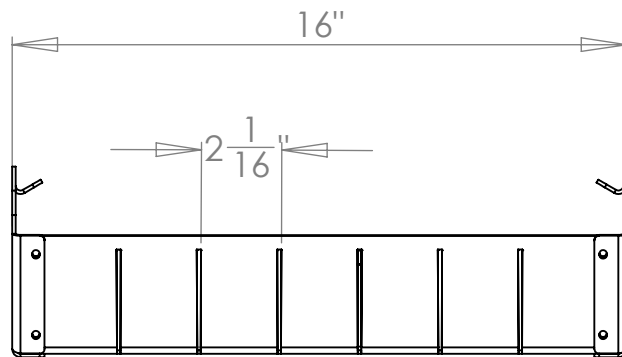


REV.	DESCRIPTION	DATE	APPROVED
------	-------------	------	----------



DRAWN BY: KBH DATE: 7/31/2012

UNLESS OTHERWISE SPECIFIED:

DIMENSIONS ARE IN INCHES

TOLERANCES:

FRACTIONAL $\pm 1/16$ "

ANGULAR: MACH $\pm 0.25^\circ$ BEND $\pm 1.5^\circ$

TWO PLACE DECIMAL ± 0.020 "

THREE PLACE DECIMAL ± 0.005 "

MATERIAL: See BOM

DO NOT SCALE DRAWING

Inventive LLC

In The Ditch Towing Products

PART NAME

16" Storage Tray

SIZE PART NO.

A

ITD1304

SHEET SCALE 1:5

SHEET 1 of 1