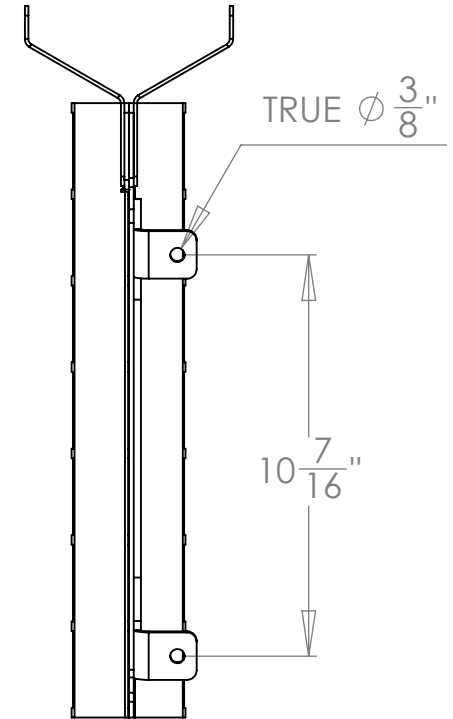
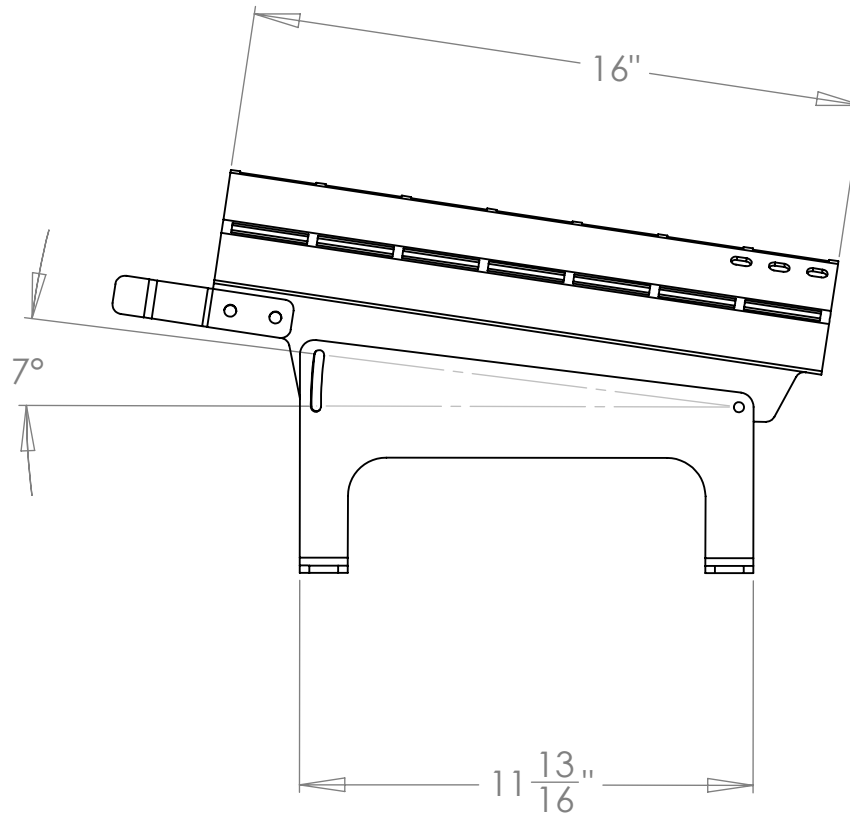
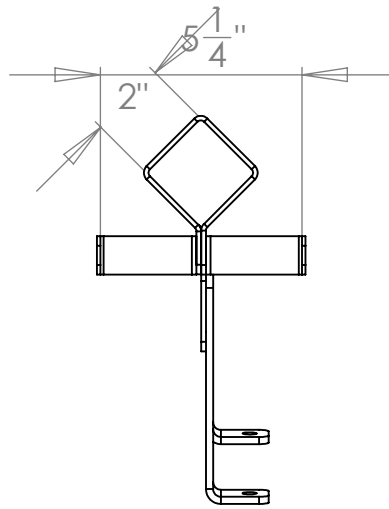


REV.	DESCRIPTION	DATE	APPROVED
------	-------------	------	----------



DRAWN BY: KBH DRAWN DATE: 7/31/2012

UNLESS OTHERWISE SPECIFIED:

DIMENSIONS ARE IN INCHES  
 TOLERANCES:  
 FRACTIONAL  $\pm 1/16"$   
 ANGULAR: MACH  $\pm 0.25^\circ$  BEND  $\pm 1.5^\circ$   
 TWO PLACE DECIMAL  $\pm 0.020"$   
 THREE PLACE DECIMAL  $\pm 0.005"$   
 MATERIAL: See BOM

DO NOT SCALE DRAWING

**Inventive LLC**  
 In The Ditch Towing Products

PART NAME  
**Deck Mount Broom and Shovel Holder**

SIZE PART NO.  
**ATD1316 (AL Deck Mount Broom and Shovel)**

SHEET SCALE 1:10

SHEET 1 of 1