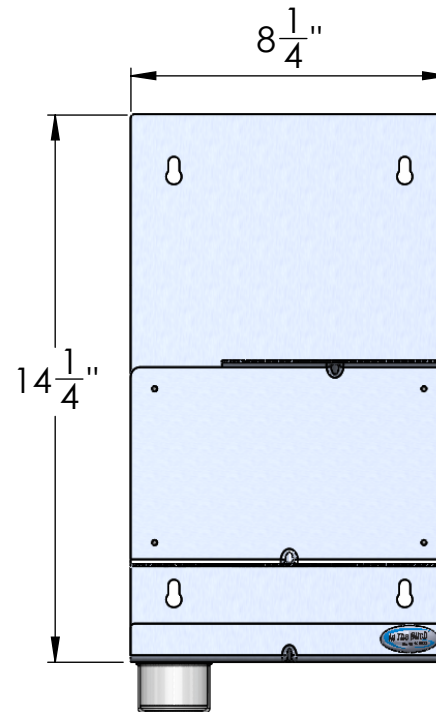
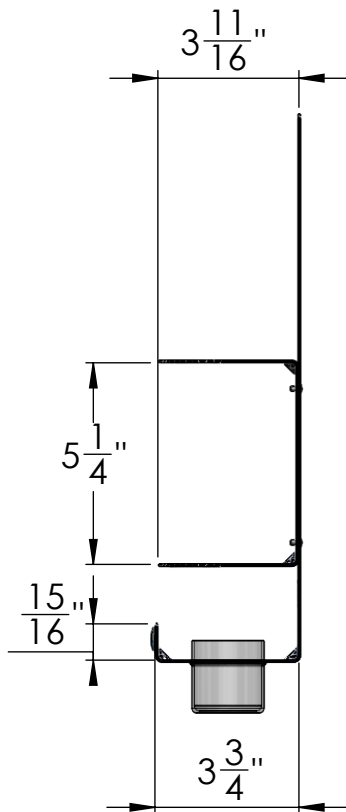
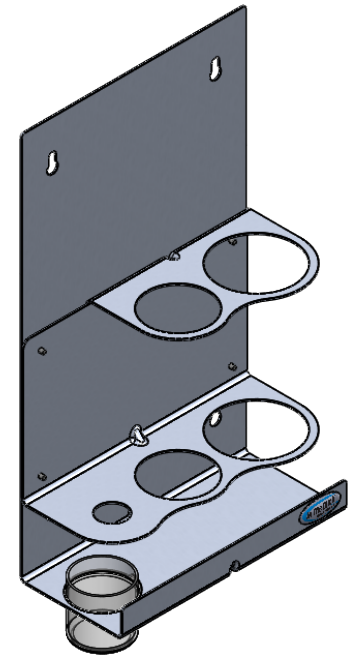


DIA $2\frac{3}{4}$ "

DIA $2\frac{1}{4}$ "

DIA 1"



Inventive LLC In The Ditch Towing Products
DESCRIPTION Grease Gun Holder
PART NO. ITD1622
WEIGHT 1.10 LBS