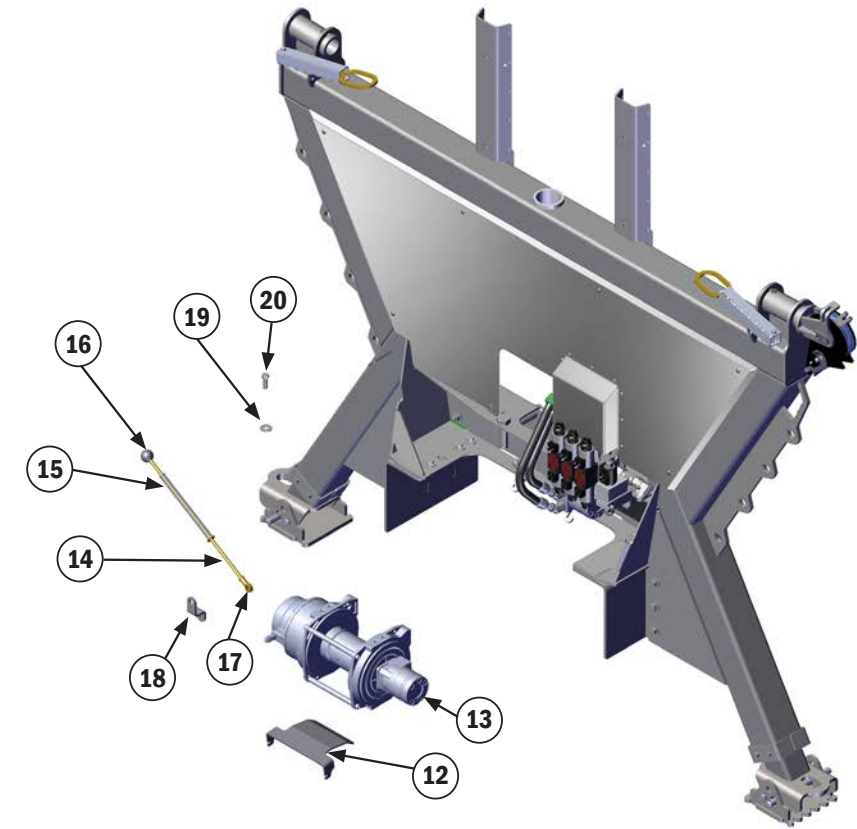
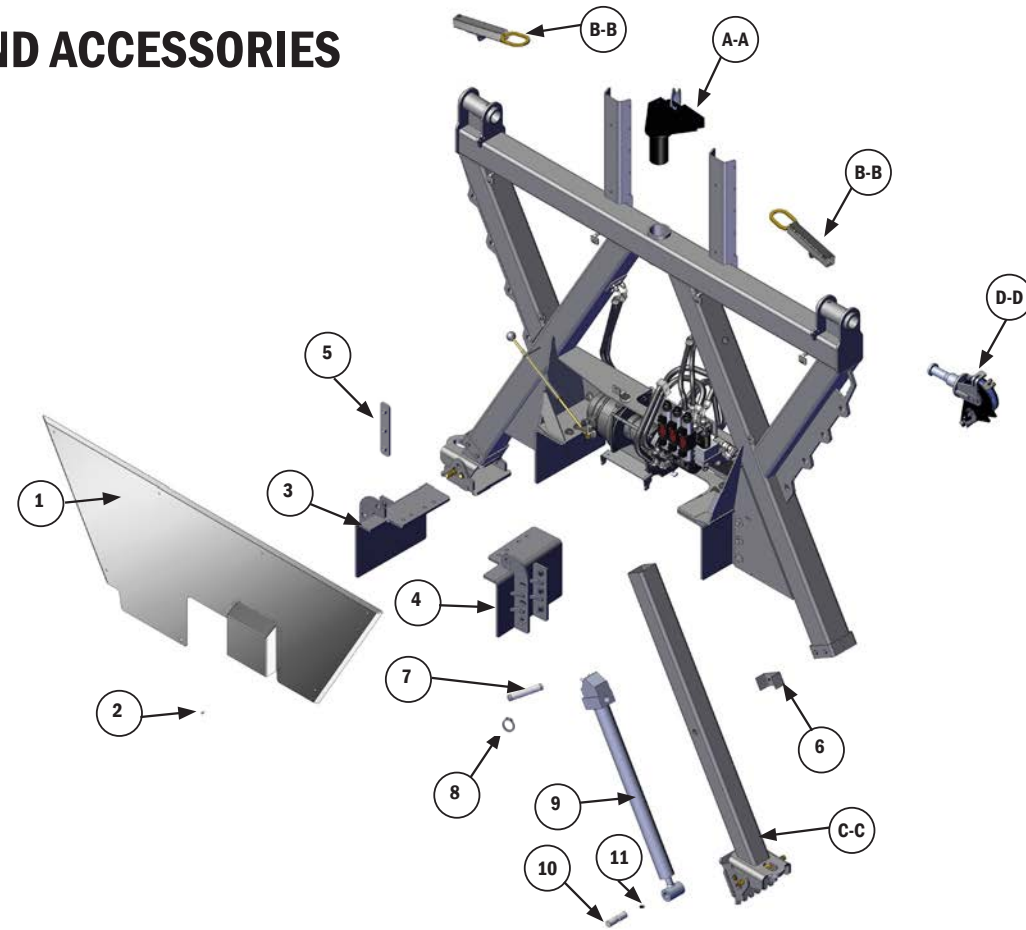


PARTS AND ACCESSORIES

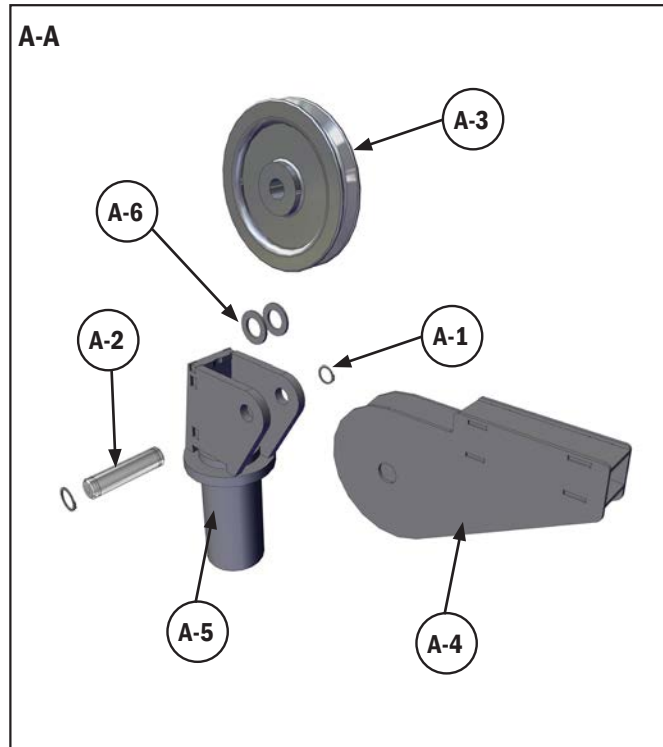


Item #	Part #	Description
N/A	ITD1275	Polished Stainless Steel Rear Accent Panel SP8000
N/A	ITD4523	Polished Stainless Steel Rear Accent Panel SP9000
1	ITD4722	Polished Stainless Steel Rear Accent Panel SP9000 (with Integrated Controls)
2	Hardware	SS 1/4"-20 x 3/4" Truss Head Screw
3	ITD4534	L.H. Mounting Base
4	ITD4540	R.H. Mounting Base
5	ITD4724	Nut Plate Assembly for Mounting Base
6	ITD4119	SP9000 Lower Leg Shim
7	ITD4190	SP9 Upper Cylinder Pin
8	ITD7069	1" Snap Ring
9	ITD4189	SP9000 Leg Cylinder
10	ITD4117	SP9 Lower Cylinder Pin
11	Hardware	3/8" Knurled Set Screw

Item #	Part #	Description
12	ITD4141	SP9000 Tensioner Plate
13	ITD4188	9,000lb Hydraulic Winch
14	ITD4072	Free Spool Rod
15	ITD4096	Free Spool Spring
16	ITD7044	Pull Knob - 3/8" -16
17	ITD4093	Free Spool Rod End
N/A	Hardware	3/8" 24 fine Thread Nut
18	ITD4162	Winch Offset Lever
19	Hardware	M12 x 24mm Washer
20	Hardware	M12-1.75X40mm Bolt
N/A	ITD4094	3/8" X100 Wire Rope (Steel Core)
N/A	ITD4095	Winch Tensioner Spring

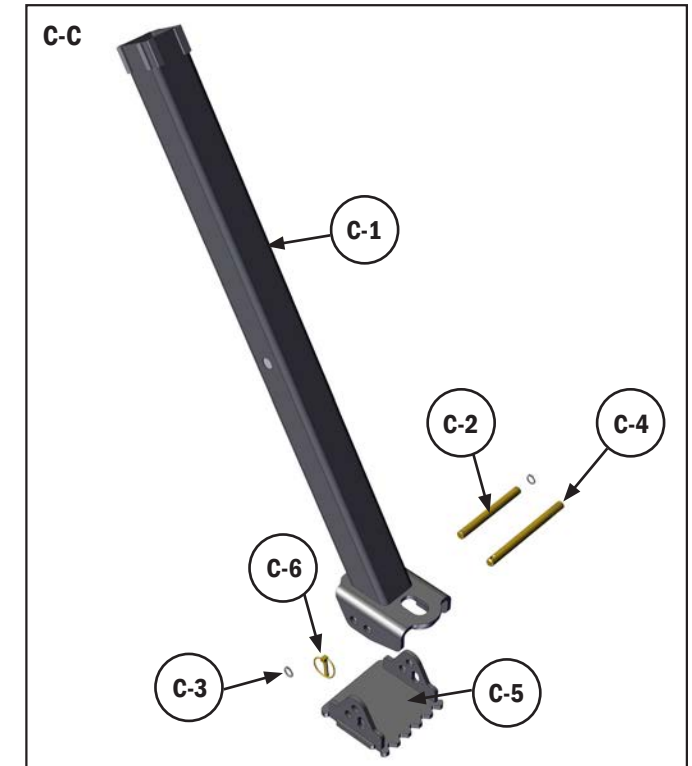
CENTER BOOM HEAD

Item #	Part #	Description
A-A	ITD4044	Center Recovery Boom Head
A-1	ITD7074	3/4" Snap Ring
A-2	ITD4054	Center Boom Head Sheave Pin
A-3	ITD4053	6" Sheave
A-4	ITD4050	Center Boom Head Wire Rope Guide
A-5	ITD4045	Center Boom Head Main Body
A-6	HARDWARE	3/4" A.N. Washer



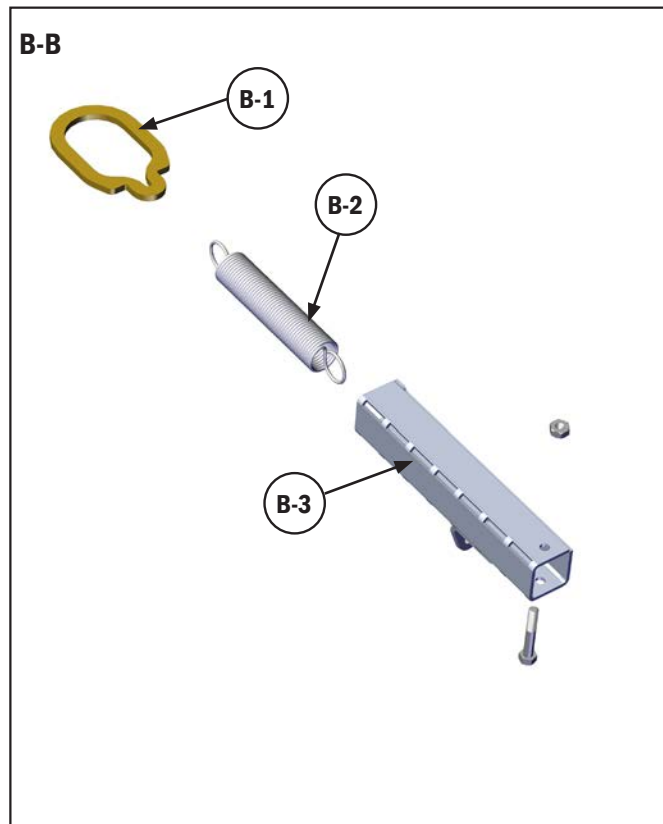
INNER LEG ASSEMBLY

Item #	Part #	Description
C-C	ITD4138	Complete Inner Leg Assembly (No Cylinder)
C-1	ITD4661	Sp9 Inner Leg (No Foot)
C-2	ITD4140	SP9 Foot Pivot Pin
C-3	ITD7074	3/4" Snap Ring
C-4	ITD4097	SP9 Removable Foot Pin
C-5	ITD4128	SP9 Stabilizer Foot
C-6	ITD7099	5/16" Lynch Pin



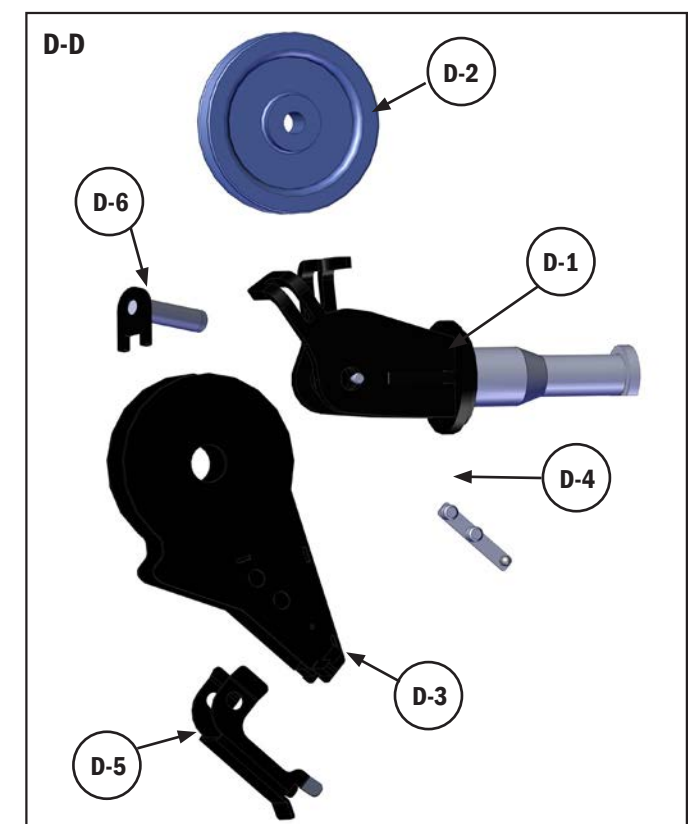
SPRING TUBE

Item #	Part #	Description
B-B	ITD4192 (R or L)	Spring Tube Tie Back Assembly
B-1	ITD4066	Pear Link
B-2	ITD4067	Spring Tube Replacement Spring
B-3	ITD4135	Replacement Spring Tube Body SP9-12



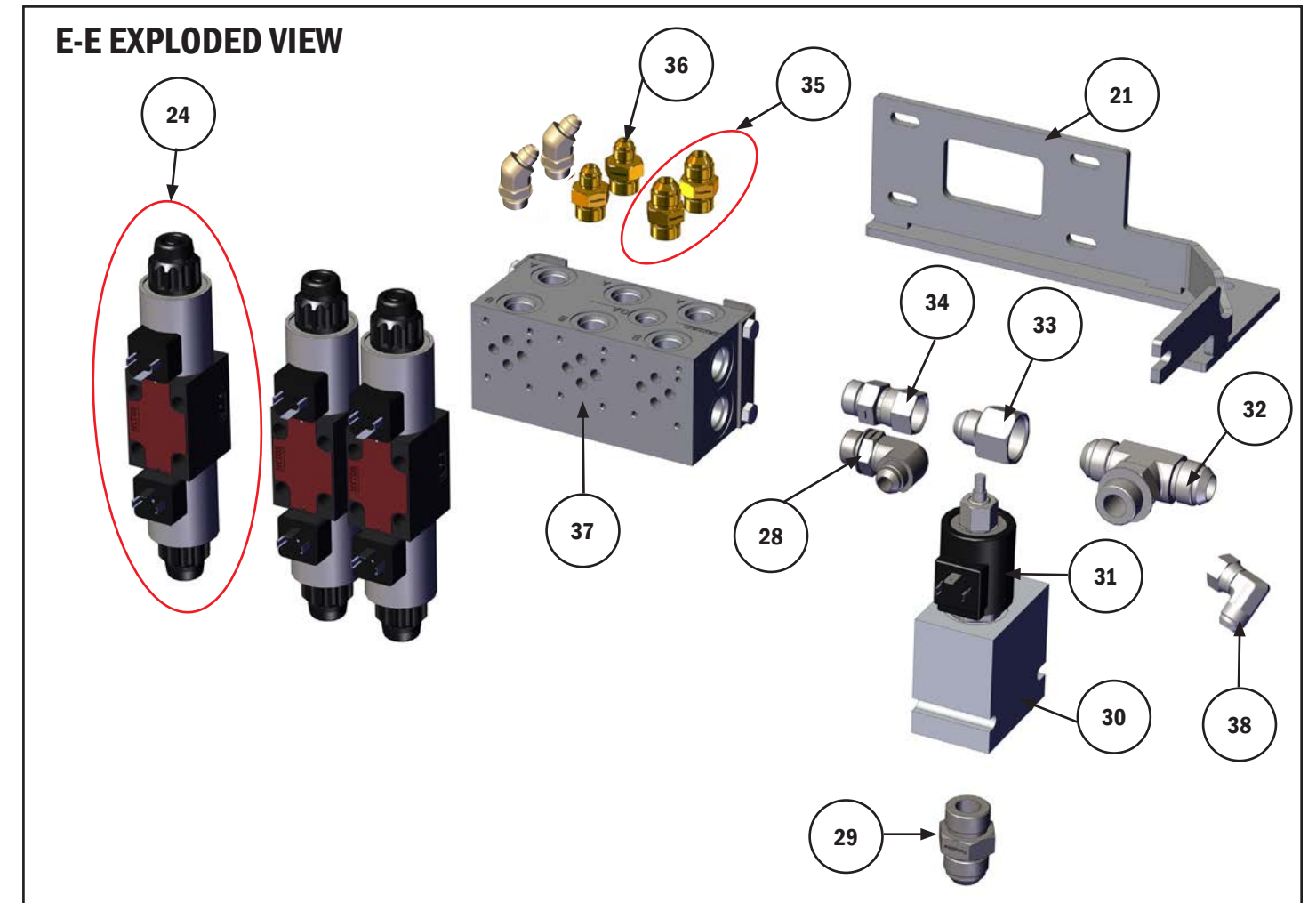
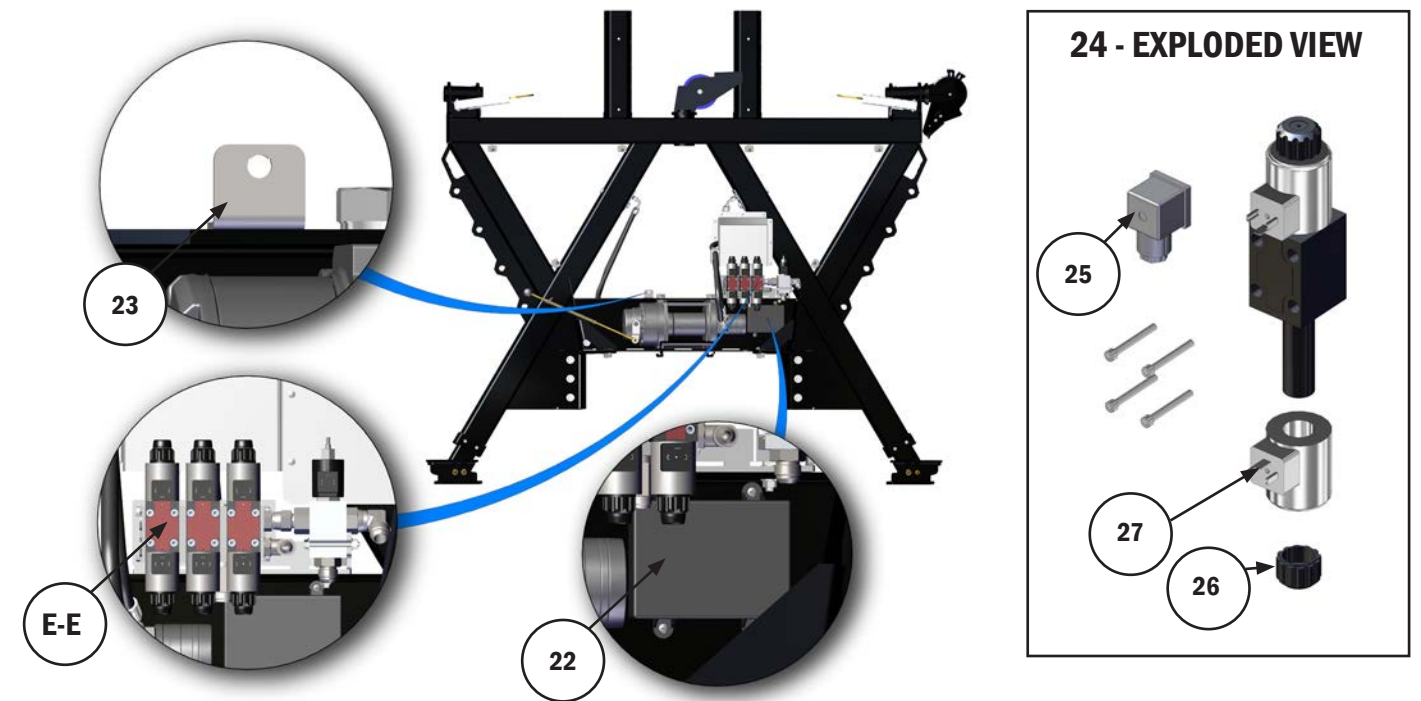
REVOLUTION BOOM HEAD

Item #	Part #	Description
D-D	ITD4229	SP9-12 Outer Recovery Boom Head Assembly (Revolution Boom Head)
D-1	ITD4212	Revolution Boom Head Main Body
D-2	ITD4053	6" Sheave
D-3	ITD4224	Revolution Boom Head Wire Rope Guide
D-4	ITD4236	Snap Button Assembly
D-5	ITD4223	Wire Rope Guide Cover
D-6	ITD4227	Revolution Boom Head Sheave Pin



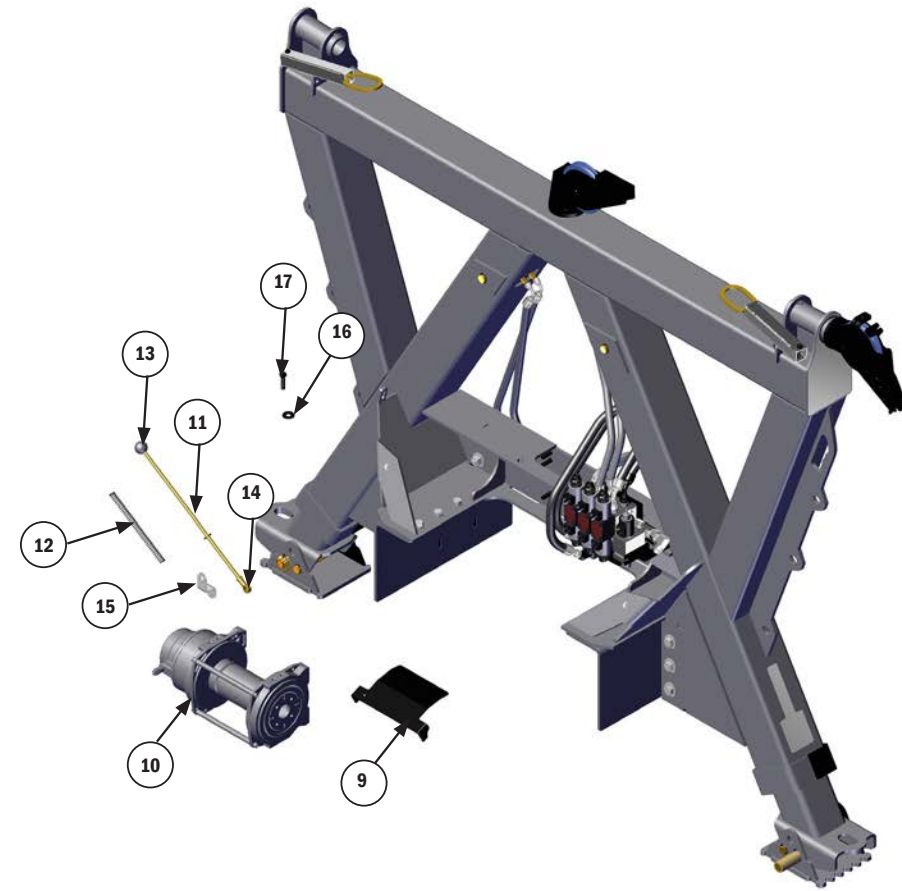
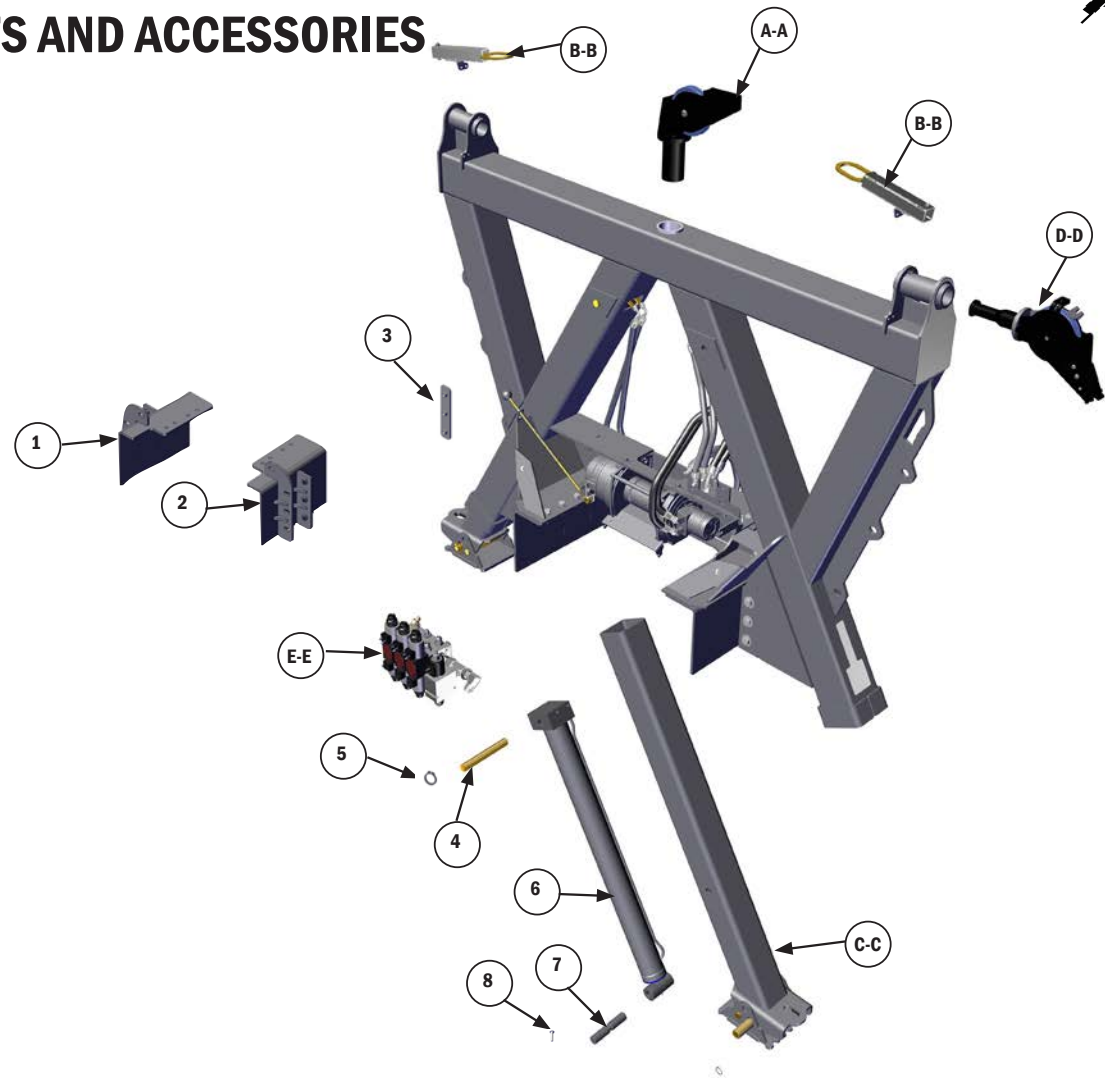
VALVE ASSEMBLY

Item #	Part #	Description
E-E	ITD4164	SP9-12 Valve Body Kit (12 Volt)
21	ITD4492	Bolt-On Valve Body Bracket Assembly
22	ITD4232	Wireless - Receiver and Transmitter Kit
23	ITD4696	Bolt On SS Tab Mount
24	ITD4170	D03 Valve Assembly (Cylinder)
25	ITD4676	Electrical Connector for Coil (w/ Gasket)
26	ITD4677	Rubber Cap
27	ITD4703	12 Volt Coil
28	ITD4685	#12 JIC 90° Return to Tank
29	ITD4683	#12 JIC Diverter Valve to Beyond
30	ITD4163	Diverter Valve without Coil
31	ITD4163S	Diverter Valve Coil Only
32	ITD4686	#12 JIC Tee
33	ITD4687	#12 + #10 Reducer
34	ITD4688	#10 - #8 Swivel Reducer
35	ITD4689	#8 JIC Manifold to Winch Lines
36	ITD4690	#6 JIC Manifold to Cylinder Lines
37	ITD4187	Valve Manifold Assembly
38	ITD4776	90° JIC #12





PARTS AND ACCESSORIES

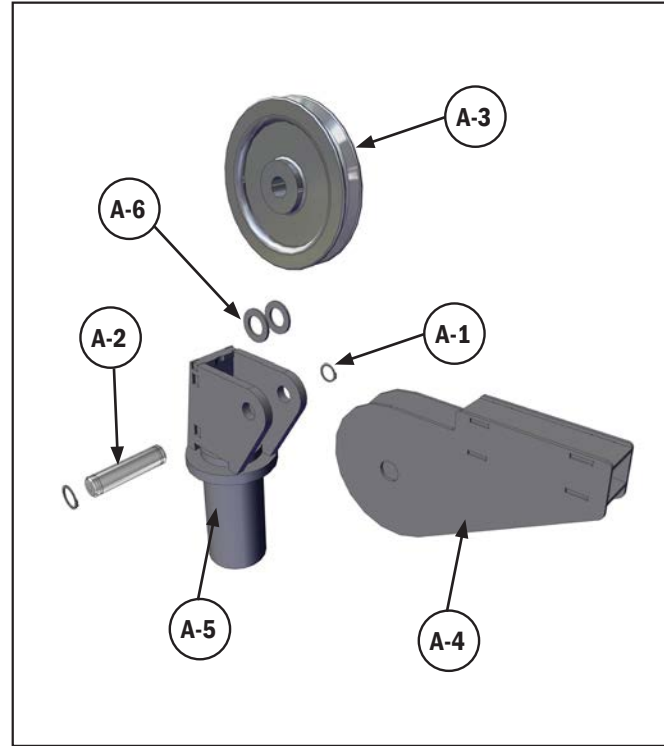


Item #	Part #	Description
1	ITD4769-L	L.H. Mounting Base
2	ITD4769-R	R.H. Mounting Base
3	ITD4773	SP12 Nut Plate
4	ITD4014	SP12,000 Upper Cylinder Pin
5	ITD7069	1" Snap Ring
6	ITD4061	SP12,000 Leg Cylinder
7	ITD4007	SP12 Lower Cylinder Pin
8	Hardware	3/8" Knurled Set Screw

Item #	Part #	Description
9	ITD4038	SP12,000 Tensioner Plate
10	ITD4062	12,000lb Hydraulic Winch
11	ITD4072	Free Spool Rod
12	ITD4096	Free Spool Spring
13	ITD7044	Pull Knob - 3/8" -16
14	ITD4093	Free Spool Rod End
N/A	Hardware	3/8" 24 fine Thread Nut
15	ITD4162	Winch Offset Lever
16	Hardware	M12 x 24mm Washer
17	Hardware	M12-1.75X40mm Bolt
N/A	ITD4063	7/16" X100 Wire Rope (Steel Core)
N/A	ITD4095	Winch Tensioner Spring

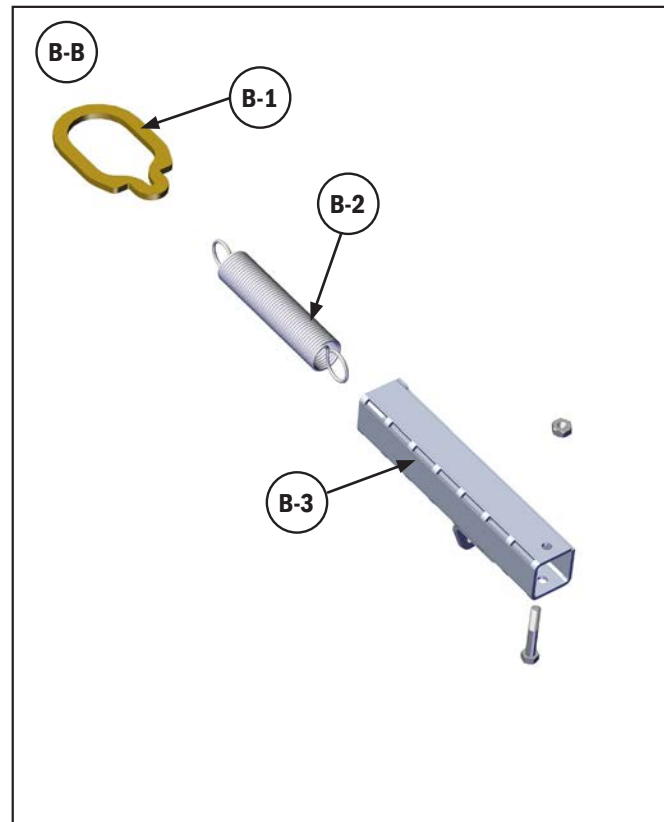
CENTER BOOM HEAD

Item #	Part #	Description
A-A	ITD4044	Center Recovery Boom Head
A-1	ITD7074	3/4" Snap Ring
A-2	ITD4054	Center Boom Head Sheave Pin
A-3	ITD4053	6" Sheave
A-4	ITD4050	Center Boom Head Wire Rope Guide
A-5	ITD4045	Center Boom Head Main Body
A-6	HARDWARE	3/4" A.N. Washer



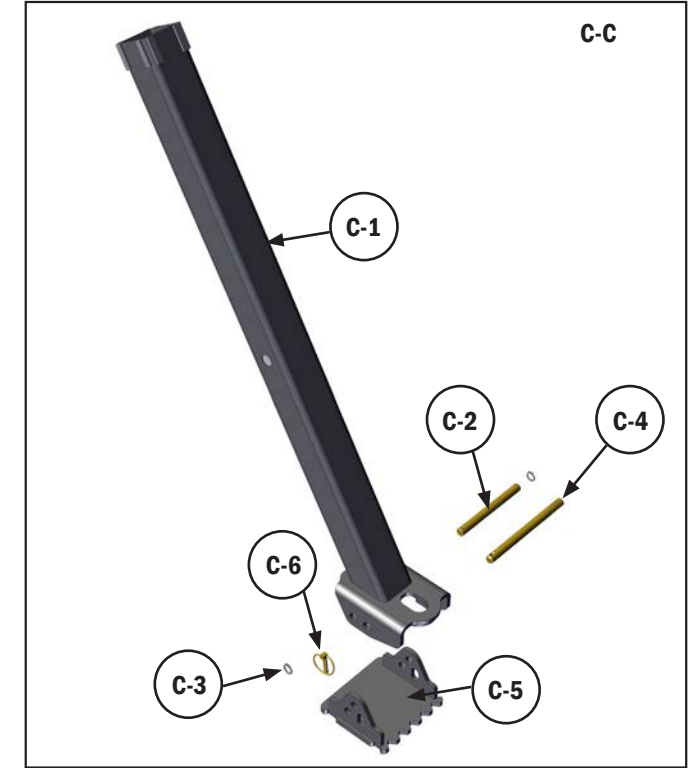
SPRING TUBE

Item #	Part #	Description
B-B	ITD4192 (R or L)	Spring Tube Tie Back Assembly
B-1	ITD4066	Pear Link
B-2	ITD4067	Spring Tube Replacement Spring
B-3	ITD4135	Replacement Spring Tube Body SP9-12



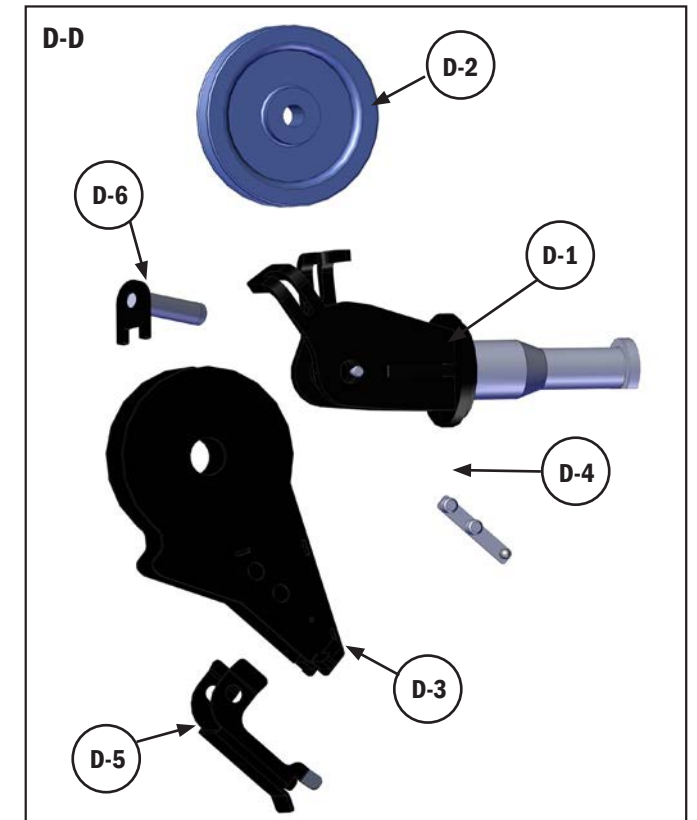
INNER LEG ASSEMBLY

Item #	Part #	Description
C-C	ITD4028	Complete Inner Leg Assembly (No Cylinder)
C-1	ITD4029	Sp12 Inner Leg (No Foot)
C-2	ITD4034	SP12 Foot Pivot Pin
C-3	ITD7074	3/4" Snap Ring
C-4	ITD4040	SP12 Removable Foot Pin
C-5	ITD4035	SP12 Stabilizer Foot
C-6	ITD7099	5/16" Lynch Pin



REVOLUTION BOOM HEAD

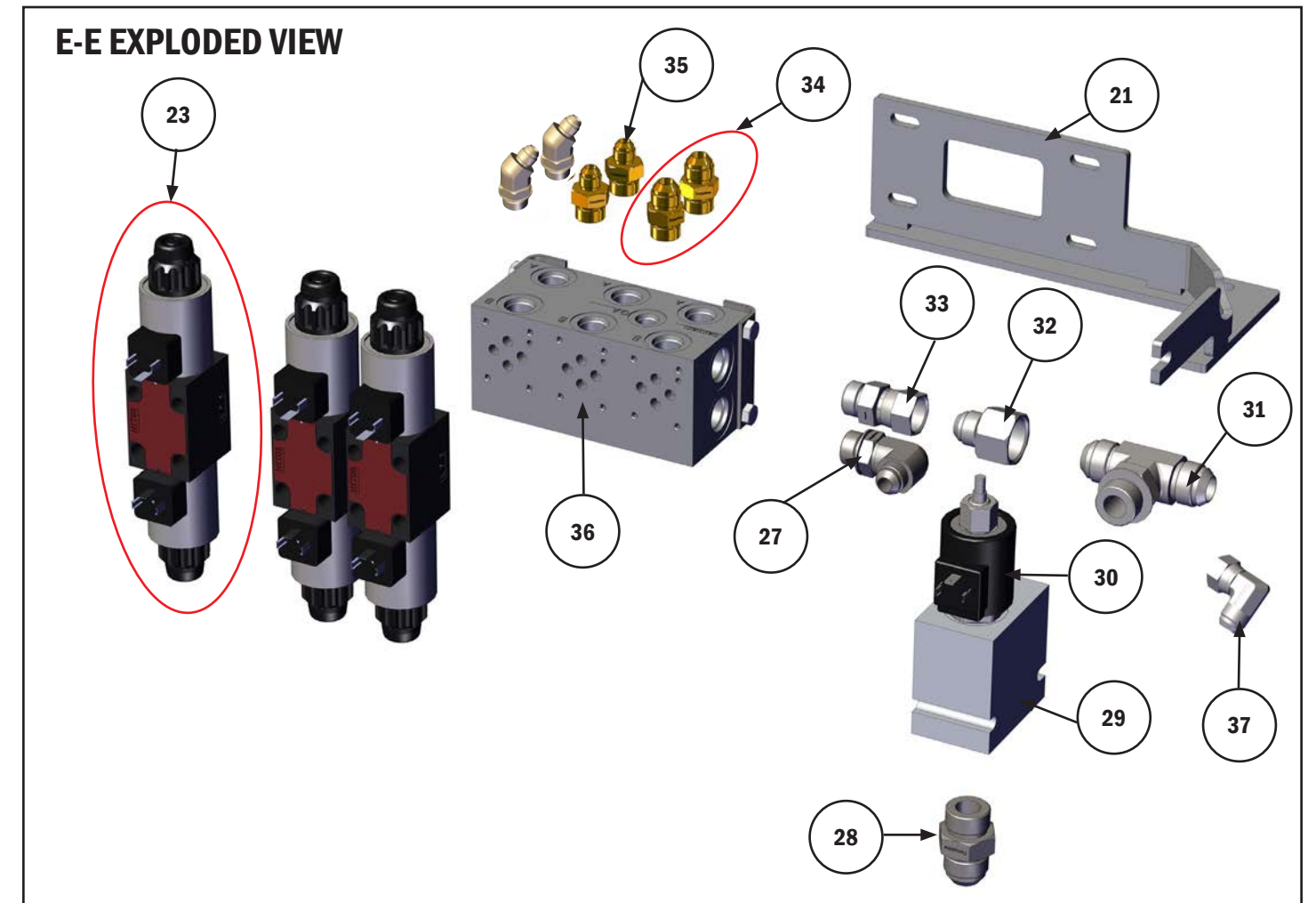
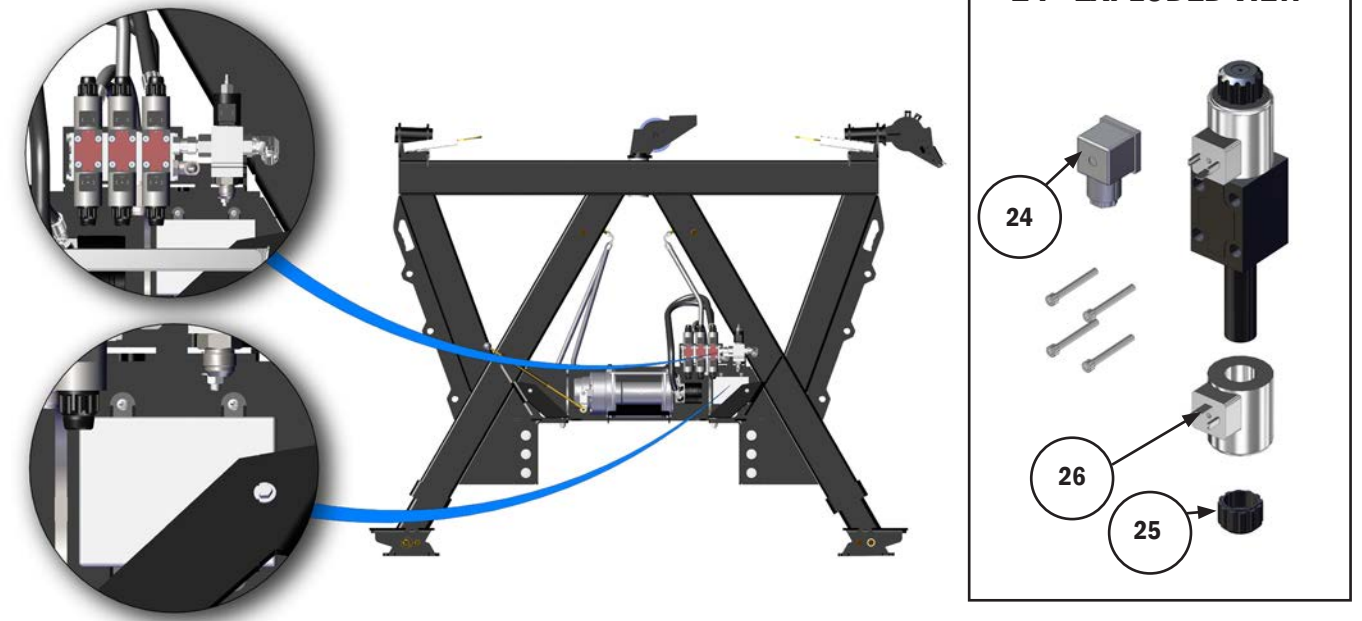
Item #	Part #	Description
D-D	ITD4229	SP9-12 Outer Recovery Boom Head Assembly (Revolution Boom Head)
D-1	ITD4212	Revolution Boom Head Main Body
D-2	ITD4053	6" Sheave
D-3	ITD4224	Revolution Boom Head Wire Rope Guide
D-4	ITD4236	Snap Button Assembly
D-5	ITD4223	Wire Rope Guide Cover
D-6	ITD4227	Revolution Boom Head Sheave Pin



VALVE ASSEMBLY

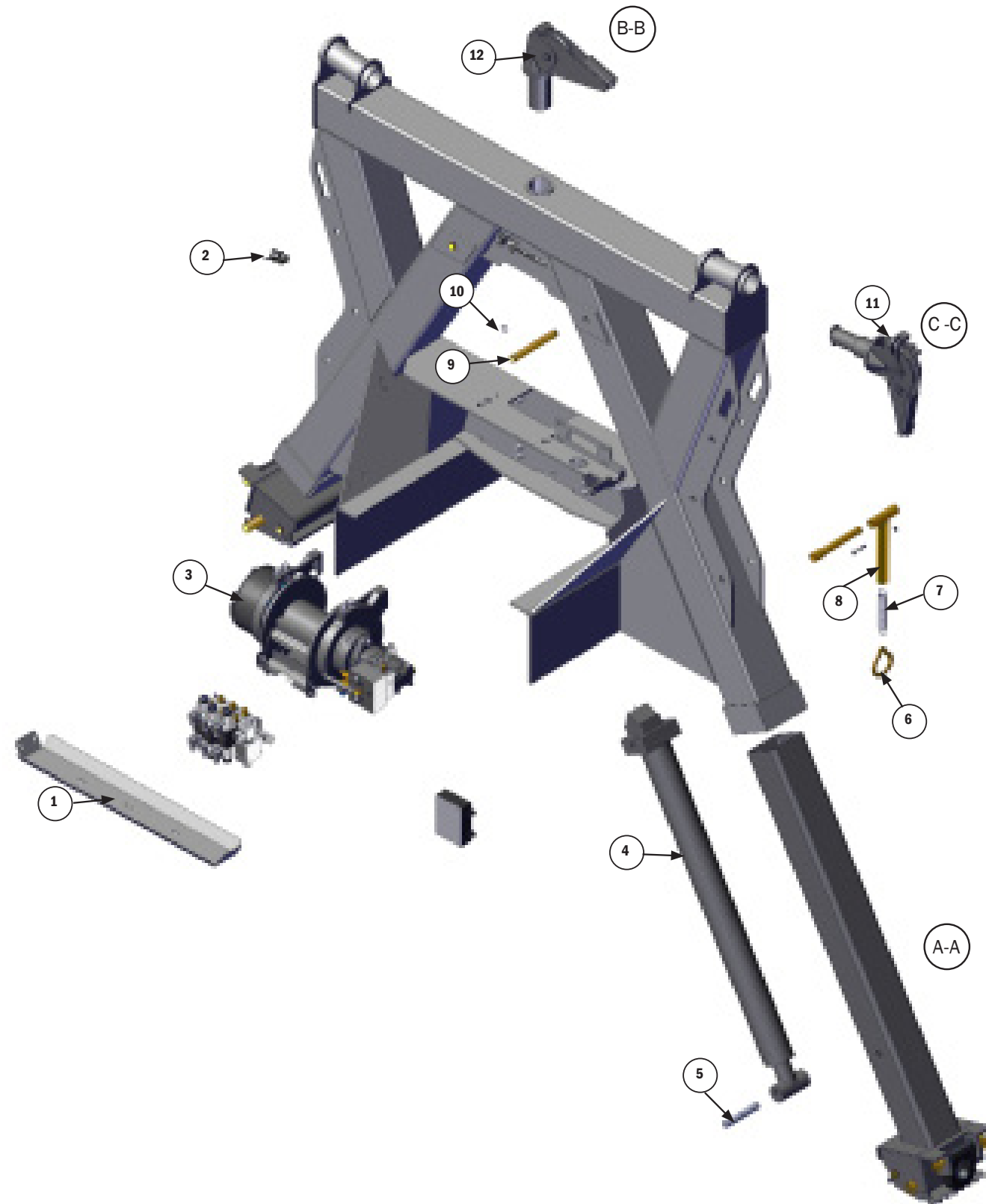
Item #	Part #	Description
E-E	ITD4164	SP9-12 Valve Body Kit (12 Volt)
21	ITD4492	Bolt-On Valve Body Bracket Assembly
22	ITD4232	Wireless - Receiver and Transmitter Kit
23	ITD4170	D03 Valve Assembly (Cylinder)
24	ITD4676	Electrical Connector for Coil (w/ Gasket)
25	ITD4677	Rubber Cap
26	ITD4703	12 Volt Coil
27	ITD4685	#12 JIC 90° Return to Tank
28	ITD4683	#12 JIC Diverter Valve to Beyond
29	ITD4163	Diverter Valve without Coil
30	ITD4163S	Diverter Valve Coil Only
31	ITD4686	#12 JIC Tee
32	ITD4687	#12 + #10 Reducer
33	ITD4688	#10 - #8 Swivel Reducer
34	ITD4689	#8 JIC Manifold to Winch Lines
35	ITD4690	#6 JIC Manifold to Cylinder Lines
36	ITD4187	Valve Manifold Assembly
37	ITD4776	90° JIC #12

E-E



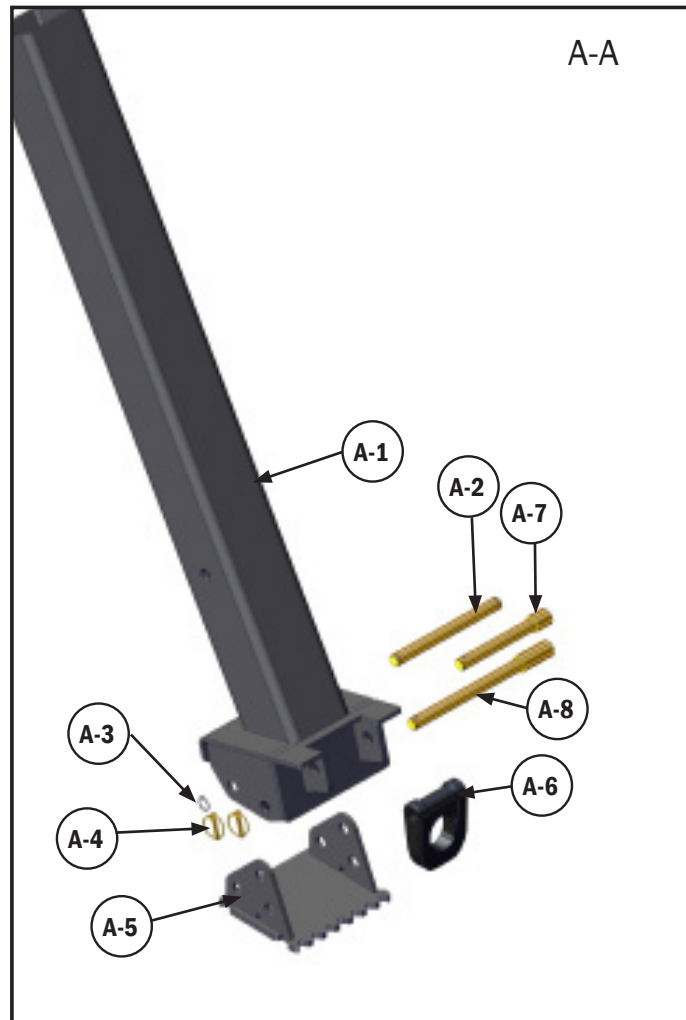


SP20,000 PARTS OVERVIEW

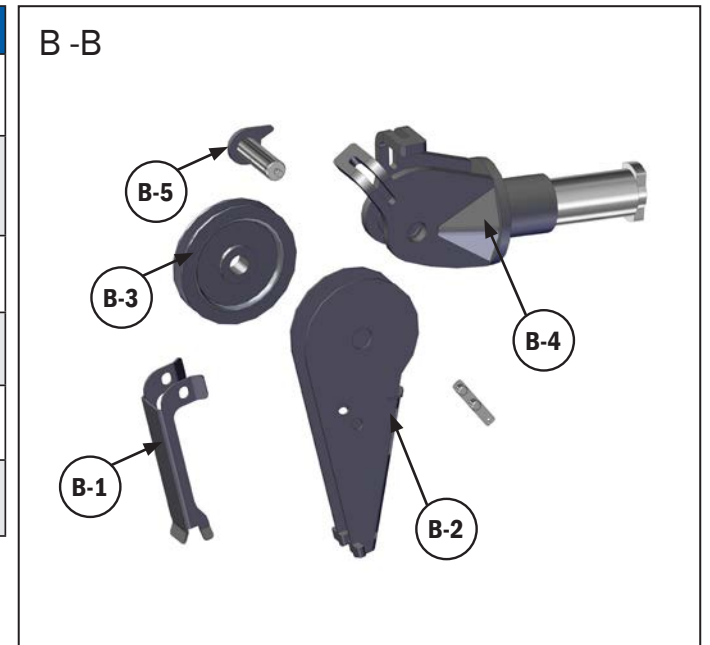


Item #	Part #	Description
1	ITD4156	SP20 Aluminum Hook Slide Tray
2	ITD7248	Haldex Air Free Spool Valve
3	ITD4177	SP20 Hydraulic Winch
4	ITD4183	SP20 Leg Cylinder
5	ITD4181	SP20 Lower Cylinder Pin
6	ITD4066	SP20 Spring Tube Pear Link
7	ITD4067	SP20 Spring Tube Replacement Spring
8	ITD4078	SP20 Replacement Spring Tube
9	ITD4182	SP20 Upper Cylinder Pin
10	ITD7069	1" Snap Ring
11	ITD4185	SP20 Outer Boom Head Complete Assembly
12	ITD4184	SP20 Center Boom Head Complete Assembly
	ITD4497	Long Hydraulic Fitting
	ITD4186	9/16"x150 ft Wire Rope
	ITD4232	Lodar Wireless Kit- Receiver and Transmitter
	ITD4676	Electrical Connector for Solenoid (w/ Gasket)
	ITD4691	1/2" NPT Wiring Connector
	ITD4692	Lodar Receiver assembly
	ITD4460	Hand Held Transmitter for wireless remote
	ITD4078	SP20 Spring Tube Assembly
	ITD4693	Sun Counter Balance Valve 3000 PSI
	ITD4694	Sun Counter Balance Valve Manifold

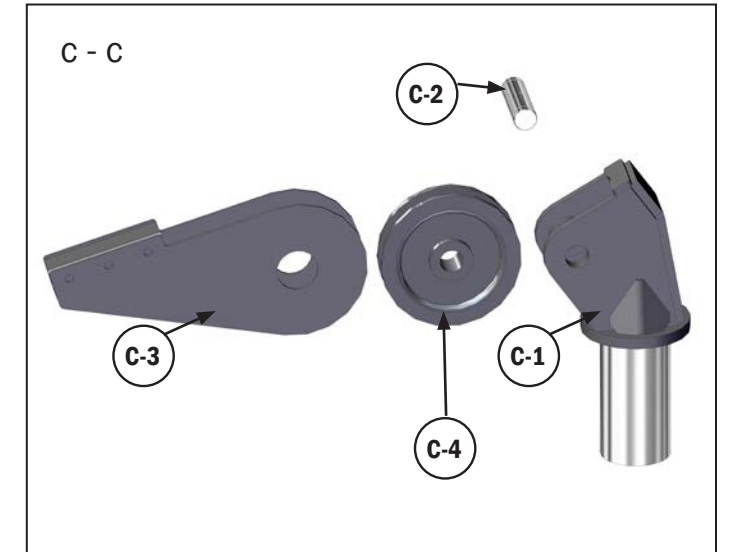
Item #	Part #	Description
A-A	ITD4663	SP20 Complete Inner Leg Assembly (No cylinder)
A-1	ITD4178	SP20 Inner Leg Only (No Stabilizer Foot)
A-2	ITD4077	SP20 Main Foot Pivot Pin
A-3	ITD7069	1" Snap Ring
A-4	ITD7099	5/16" Lynch Clip
A-5	ITD4085	Stabilizer Foot
A-6	ITD4092	SP20 Removable D-Ring
A-7	ITD4176	SP20 Removable D-Ring Pin
A-8	ITD4074	SP20 Removable Foot Pin



Item #	Part #	Description
B-B	ITD4185	SP20 Outer Boom Head
B-1	ITD4206	SP20 Outer Boom Head Snap on Guide Cover
B-2	ITD4207	SP20 Outer Boom Head Wire Guide (No Cover)
B-3	ITD4208	SP20 Boom Head Sheave
B-4	ITD4195	SP20 Outer Boom Head Main Weldment
B-5	ITD4210	SP20 Outer Boom Head Sheave Pin



Item #	Part #	Description
C-C	ITD4184	SP20 Center Boom Head Complete Assembly
C-1	ITD4273	SP20 Center Boom Head Main Weldment
C-2	ITD4242	SP20 Center Boom Head Sheave Pin
C-3	ITD4402	SP20 Boom Head Wire Guide
C-4	ITD4208	SP20 Boom Head Sheave



Item #	Part #	Description
D - D	ITD4175	SP20 Valve Body Kit (12 Volt)
D - 1	N/A	#12 JIC Diverter Valve to Beyond
D - 2	ITD4163	Diverter Valve
D - 3	N/A	#12 JIC 90 deg Return To Tank
D - 4	N/A	JIC Tee
D - 5	N/A	#12 + #10 Reducer
D - 6	N/A	#10 -#8 Swivel Reducer
D - 7	N/A	#8 JIC Manifold to Winch Lines
D - 8	N/A	#6 JIC Manifold to Cylinder Lines
D - 9	ITD4187	SP20,000 Manifold Assembly
D - 10	ITD4170	D03 Valve Assembly (Cylinder)
D - 11	N/A	SP20 Export 12 Volt Coil
D - 12	N/A	Rubber Cap

