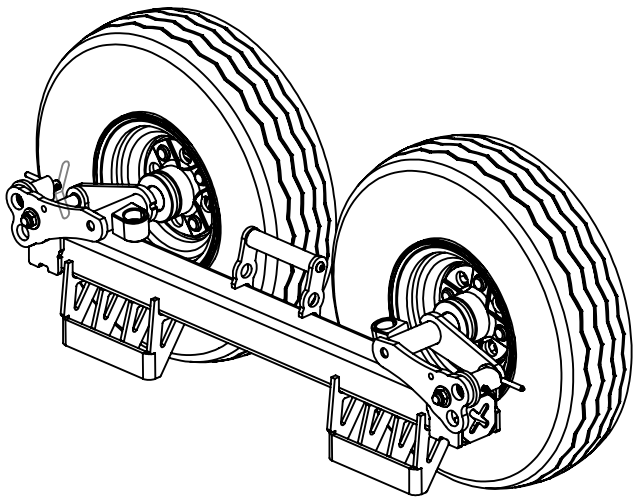
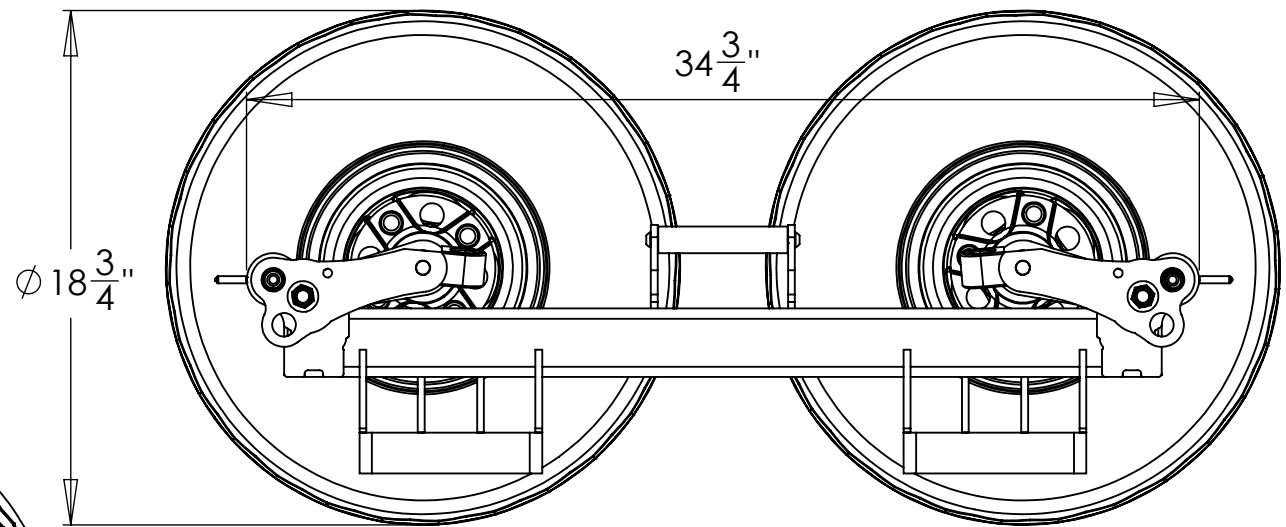
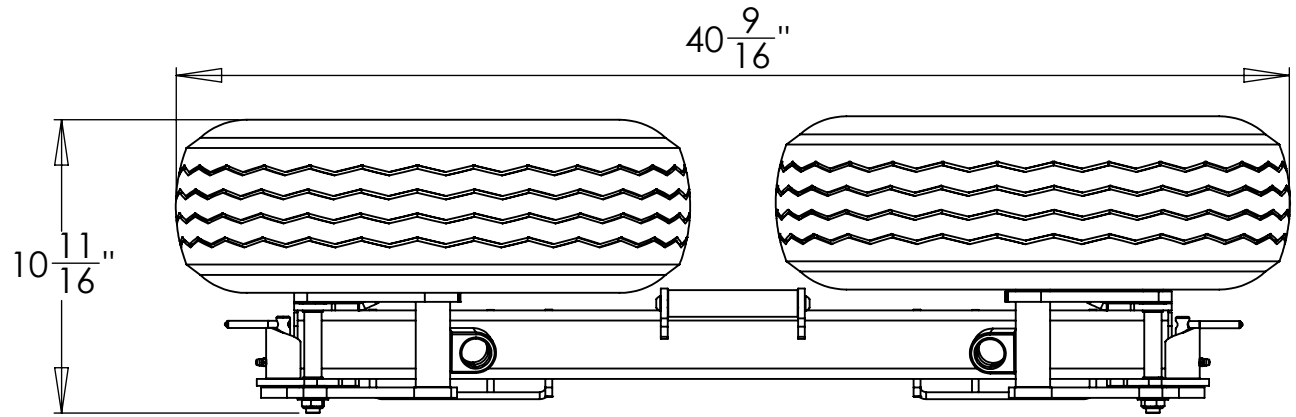


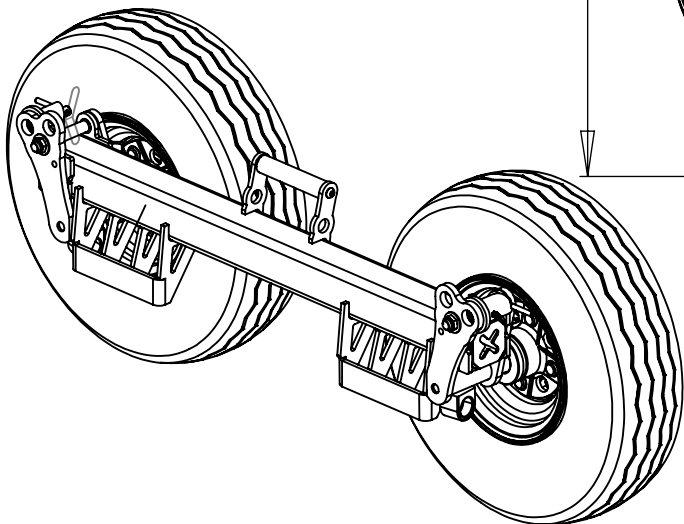
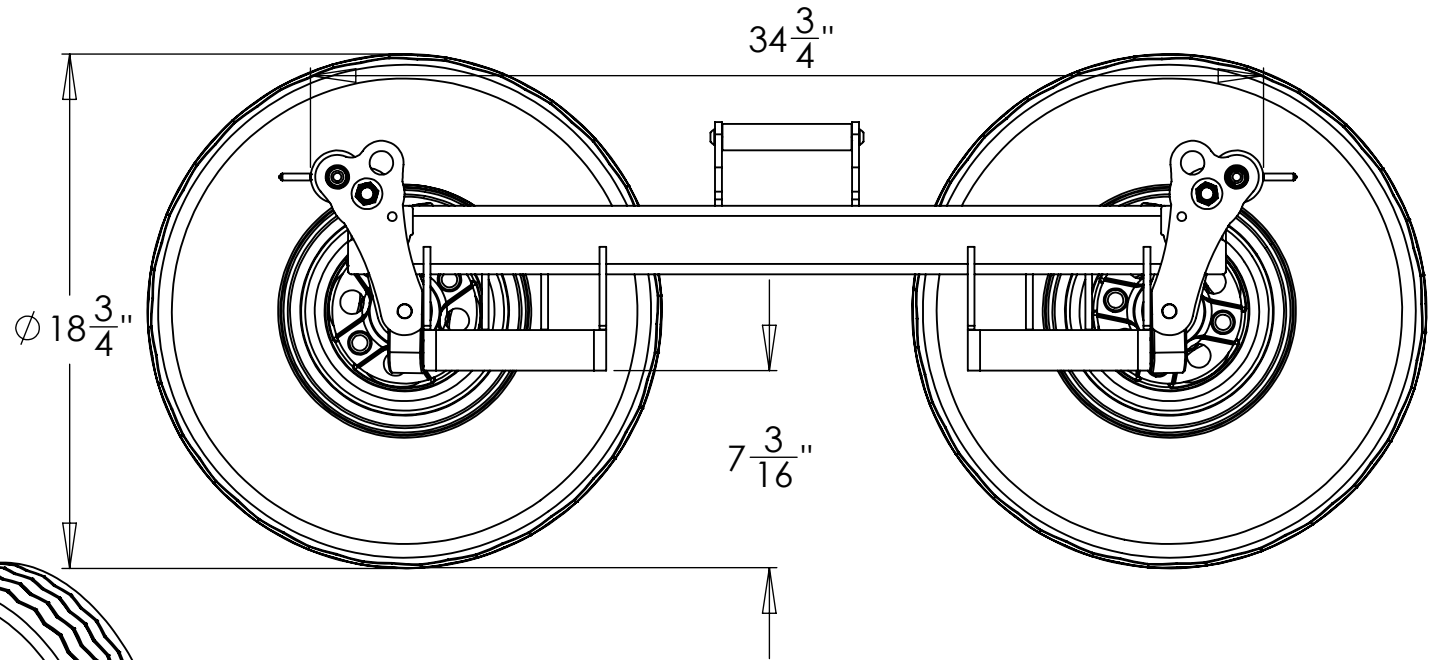
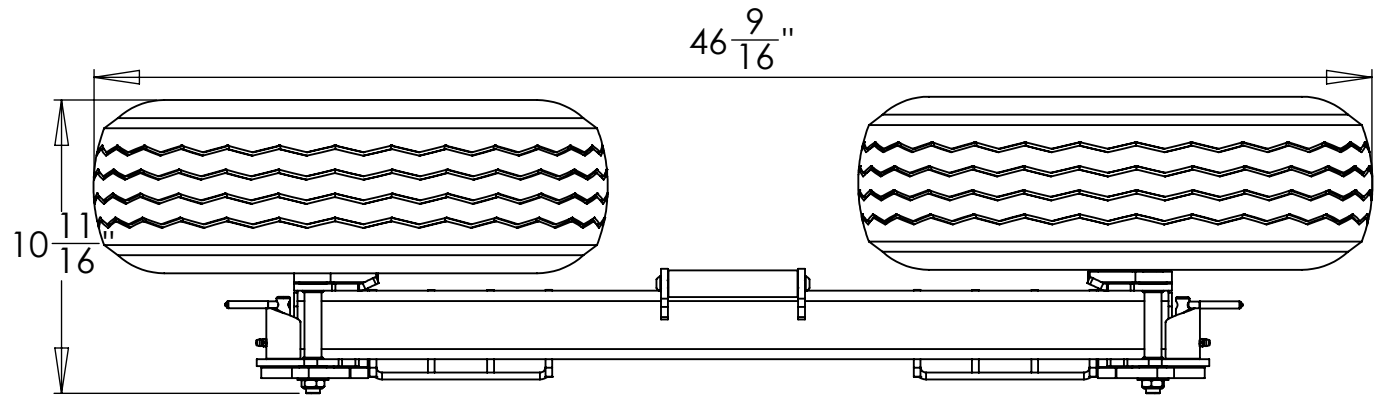
REV.	DESCRIPTION	DATE	APPROVED
------	-------------	------	----------



DRAWN BY: CJS DRAWN DATE: 1/9/2019
 UNLESS OTHERWISE SPECIFIED:
 DIMENSIONS ARE IN INCHES
 TOLERANCES:
 FRACTIONAL $\pm 1/16$ "
 ANGULAR: MACH $\pm 0.25^\circ$ BEND $\pm 1.5^\circ$
 TWO PLACE DECIMAL ± 0.020 "
 THREE PLACE DECIMAL ± 0.005 "
 MATERIAL:
 DO NOT SCALE DRAWING

Inventive LLC
 In The Ditch Towing Products
 DESCRIPTION eXtended Life (XL) XD Speed Dolly
 SIZE PART NO. **A** ITD1790
 SHEET SCALE 1:20 SHEET 1 of 2

REV.	DESCRIPTION	DATE	APPROVED
------	-------------	------	----------



DRAWN BY: CJS DRAWN DATE: 1/9/2019
 UNLESS OTHERWISE SPECIFIED:
 DIMENSIONS ARE IN INCHES
 TOLERANCES:
 FRACTIONAL $\pm 1/16$ "
 ANGULAR: MACH $\pm 0.25^\circ$ BEND $\pm 1.5^\circ$
 TWO PLACE DECIMAL ± 0.020 "
 THREE PLACE DECIMAL ± 0.005 "
 MATERIAL:
 DO NOT SCALE DRAWING

Inventive LLC
 In The Ditch Towing Products
 DESCRIPTION eXtended Life (XL) XD Speed Dolly
 SIZE PART NO. **A** ITD1790
 SHEET SCALE 1:20 SHEET 2 of 2