



2 Function Receiver

SYSTEM PART NUMBER

11RX02 2 Function Mini Receiver

CONTENTS

1 x Mini Receiver
1 x Instructions



RECEIVER SPECIFICATION

ELECTRICAL

Voltage Nominal	12/24V DC
Voltage Min/Max	8 to 36V DC
Connection	1.5m (5ft) 7 core cable through gland
Switch Type	MOSFET (Positive Switching)
Functions	2

RF

Modulation	2-GFSK. Gaussian Frequency Shift Keying
Frequency	433.050 MHz to 434.790 MHz
Channels	1/32
Channel Selection	Fixed/Channel Hopping
Technology	Fixed Receiver
Temperature Range	-40° C to + 80° C (-40° F to + 176° F)
Range	60m (200ft)
Registration Codes	Over 16 million

CURRENT CAPACITY

FET Rating	7.5A
System Rating	7.5A
Quiescent Current	31mA 12V/ 17mA 24V on Standby (Not SET)
Power rating	100W

AERIAL

Aerial	Internal – ¼ wave wire
Aerial option	SMA Connector on PCB – order separately
External Antenna	AC9860/1/2/3 & 9 – order separately

SAFETY & PROTECTION

Back EMF	Yes – Diode Protection
Reverse Polarity	Yes
System Monitoring	Yes – using a secondary processor
Transient Voltage	Yes – TVS Diode 30.8 volts. 10amp fuse recommended
Overload	Yes – by temperature sensor

CONFIGURATION

Operating System Lodar Script
Functions Momentary with Horizontal Interlocks
Master Output Parallel – Continuous optional

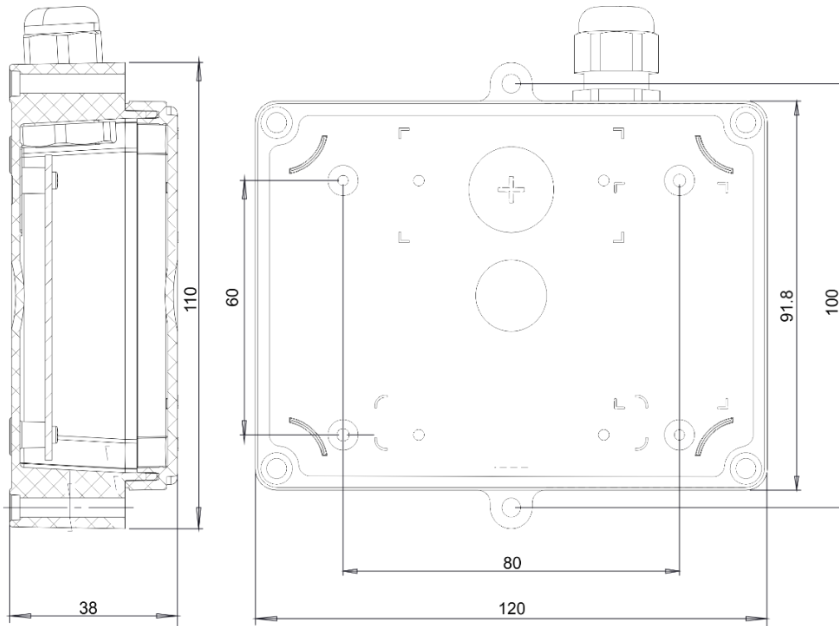
INFORMATION

Fault code Yes LED
Receive Indication Yes LED

PACKAGING

Brown Box with coloured sleeve

ENCLOSURE



Material Lid Clear PVC - to view LEDs
Base Black ABS
Dimensions 120 x 110 x 38mm (4.72 x 4.33 x 1.5ins.)
Weight 290 gms.
Breather Gortex membrane
IP Rating IP55
Functional Identification LED though clear lid
Mounting 4 external lugs
Fixings 5mm (3/16") - not supplied

COMPLIANCE

REG 10 EC Type-approval mark E11 037601
 EC Type-approval No: e11/72/245*2009/19*7601*00

FCC FCC CFR 47 Part 15.109
 433.050MHz to 434.790MHz

IC ICES-003 Issue 6.
 433.050MHz to 434.790MHz

CE RED Directive
 ETSI EN 300 220-2 v3.2.
 ETSI EN 300 220-1 v3.1.1.
 ETSI EN 301 489-17 V3.1.1,
 ETSI EN 301 489-1 V2.1.1
 433.050MHz to 434.790MHz

Australia/NZ ETSI EN 300 220-2 v3.2.1
 ETSI EN 301 489-1 V2.1.1
 433.050MHz to 434.790MHz

RoHS Directive 2011/65/EU