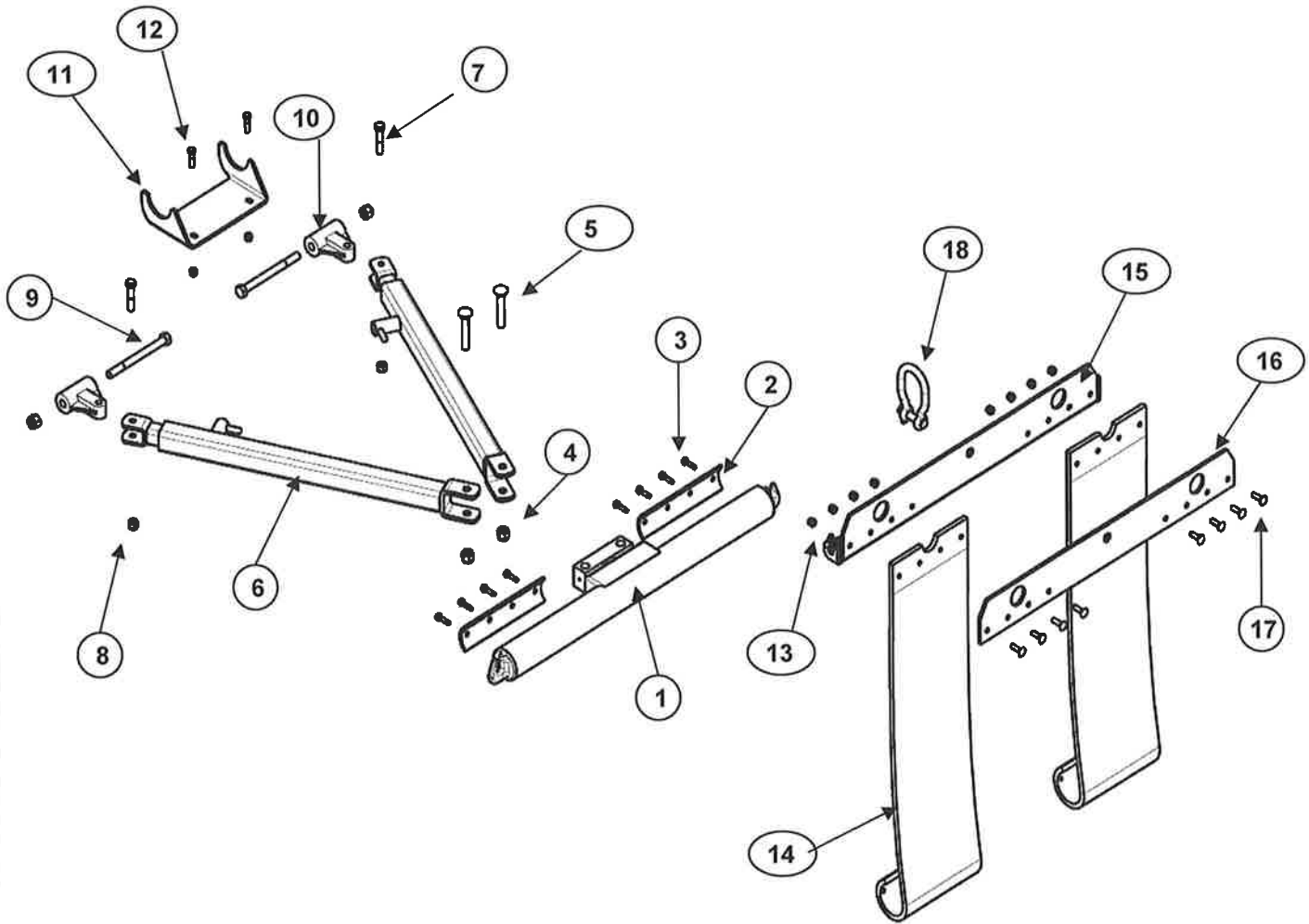
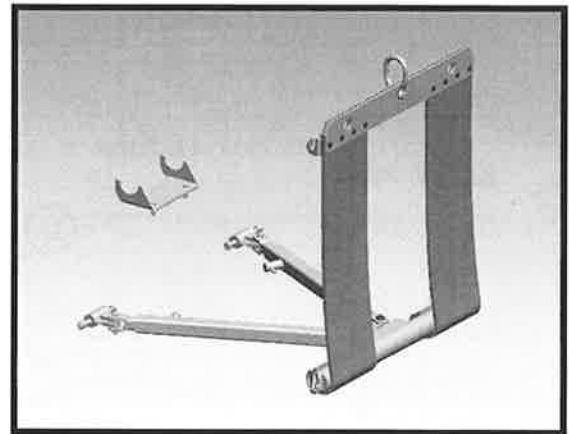


124004094 TOWSLING CONVENTIONAL



124004094 TOWSLING CONVENTIONAL



ITEM	PART NUMBER	DESCRIPTION	QTY
1	0910172	Anchor Bar, Conventional TS	1
2	0700372	Retainer – Belt	2
3	0400105	Bolt, Thread Cutter – 5/16"-18 x 1-1/4" HWH TCF ZP	8
4	0400421	Nut, Nyloc 5/8"-11	4
5	0400275	Bolt, Carriage 5/8"-11 x 3-1/2"	2
6	0904733	Spacer Bar, 32" with 5/8" CamLOCK	2
7	0400185	Bolt, Hex 1/2"-13 x 2-1/2" ZP	2
8	0400408	Nut, Nyloc 1/2"-13	10
9	0400362	Bolt, Hex 5/8"-11 x 7" ZP	2
10	0200003	Knuckle, Casted 3-1/2" TS	2
11	0721703	Bracket – Center Tow Sling Storage	1
12	0400132	Bolt, HHCS Grade 5 ZP 3/8"-16 x 1-1/2"	2
13	0400392	Nut, Nyloc 3/8"-16 ZP	10
14	0704707	Belt, 9-1/2" x 39" Multi-Ply TS	2
15	0801102	Spreader Angle, Bent Plate w/Hooks 4-Hole	1
16	0703822	Bar – Spreader – 4 Hole	1
17	0400156	Carriage Bolt, 3/8"-16 x 1-1/2" ZP	8
18	0300357	Shackle RT-5 – ZP w/Pin & Clip	1
19	174017076	CamLOCK – 5/8" Complete - Replacement	2
20	0807168	Body Bracket – Conventional	2
21	0400188	Bolt, HHCS 1/2"-13 x 2" (Body Bracket)	8
22	0900176	Chain Assembly, J-Hook, T & 5/16" Grab – Grade 70	2

